

## INTERPHONE SYSTEMS—1A (HOME) CONNECTIONS

### 1. GENERAL

**1.01** This section is reissued to include the 712B, 1712B, 1558D, 751- and 1751-type telephone sets.

**1.02** The 1A HOME INTERPHONE system is limited to two door answering units and five stations.

**1.03** The 1A HOME INTERPHONE cannot be used with tip party identification.

**1.04** Refer to Table A for index of figures and tables.

**TABLE A  
TELEPHONE SETS  
CONNECTIONS**

Type of Tel Set*	Connections and Modifications		Schematic
	Fig.	Table	
511C/D	1	B	Fig. 9
1511D	2	C	Fig. 10
558C/D	3	D	Fig. 9
1558D	4	E	Fig. 11
711B	5	F	Fig. 12
712B	6	G	Fig. 13
1712B	6	G	Fig. 14
751A/B	7	H	Fig. 15
751C/D	8	J	Fig. 16
1751C/D	8	J	Fig. 17
51A Control Unit			Fig. 18

\* See Table K for ringer connections.

SECTION 512-510-400

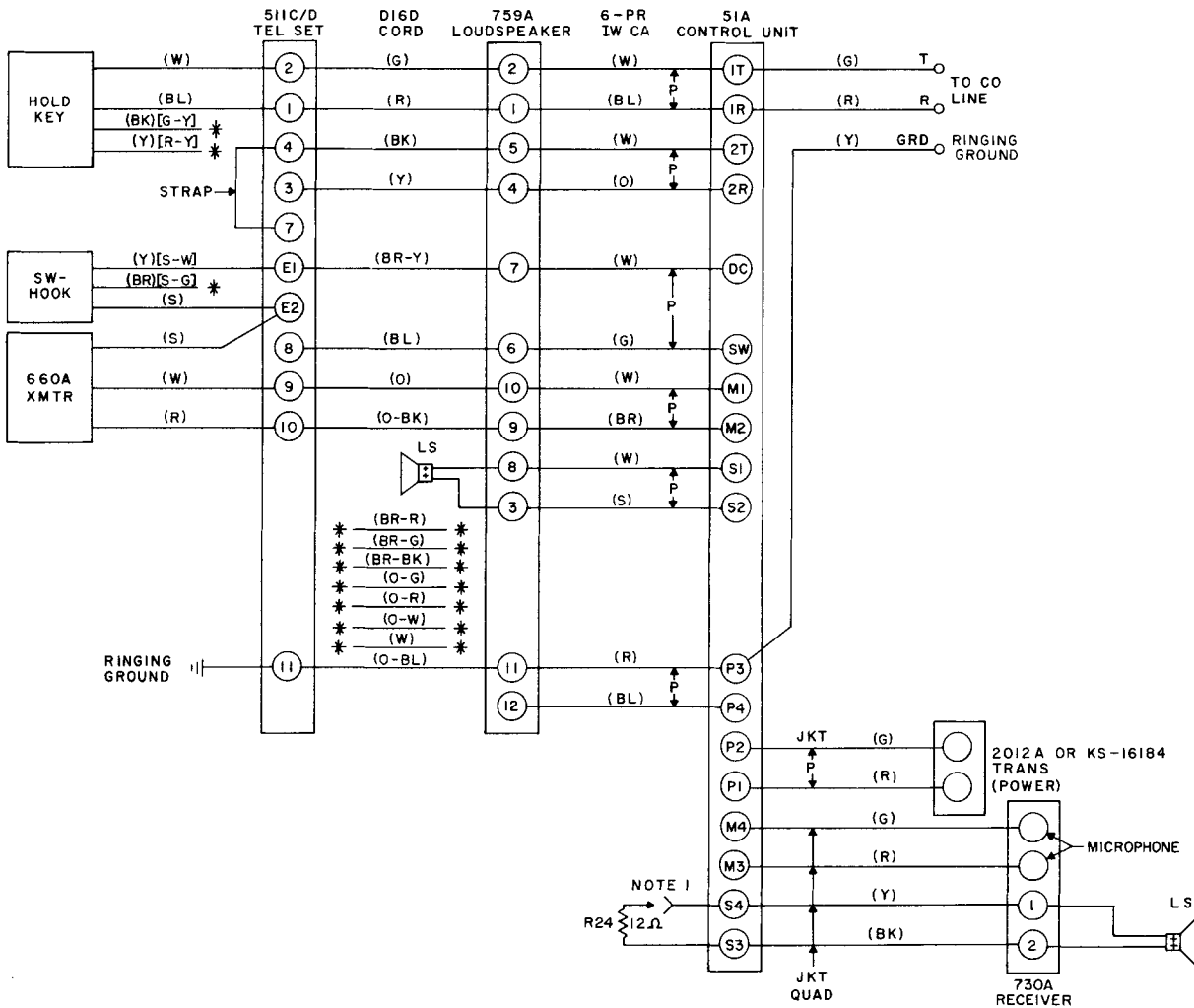


Fig. 1 - 511C/D Telephone Set, Connections to 1A HOME INTERPHONE

TABLE B

511C/D SET - MODIFICATION

Item	Wire or Lead	From Term.	To Term.
Hold Key	[R-Y] (Y)	1	*
	[G-Y] (BK)	2	*
	BL	E1	1
	W	E2	2
Mtg Cord	W	7	*
	[S-W] (Y)	7	E1
Switch-hook	S	10	E2
	[S-G] (BR)	9	*
Dial	Y	11	*
660A Xmtr	Strap		4 to 7
	R		10
	W		9
	S		E2

Note 1: Connect when one 730A receiver is used.

Note 2: See Table K for ringer connections.

\* Insulate and store.

( ) Indicates current color code.

[ ] Indicates MD color code.

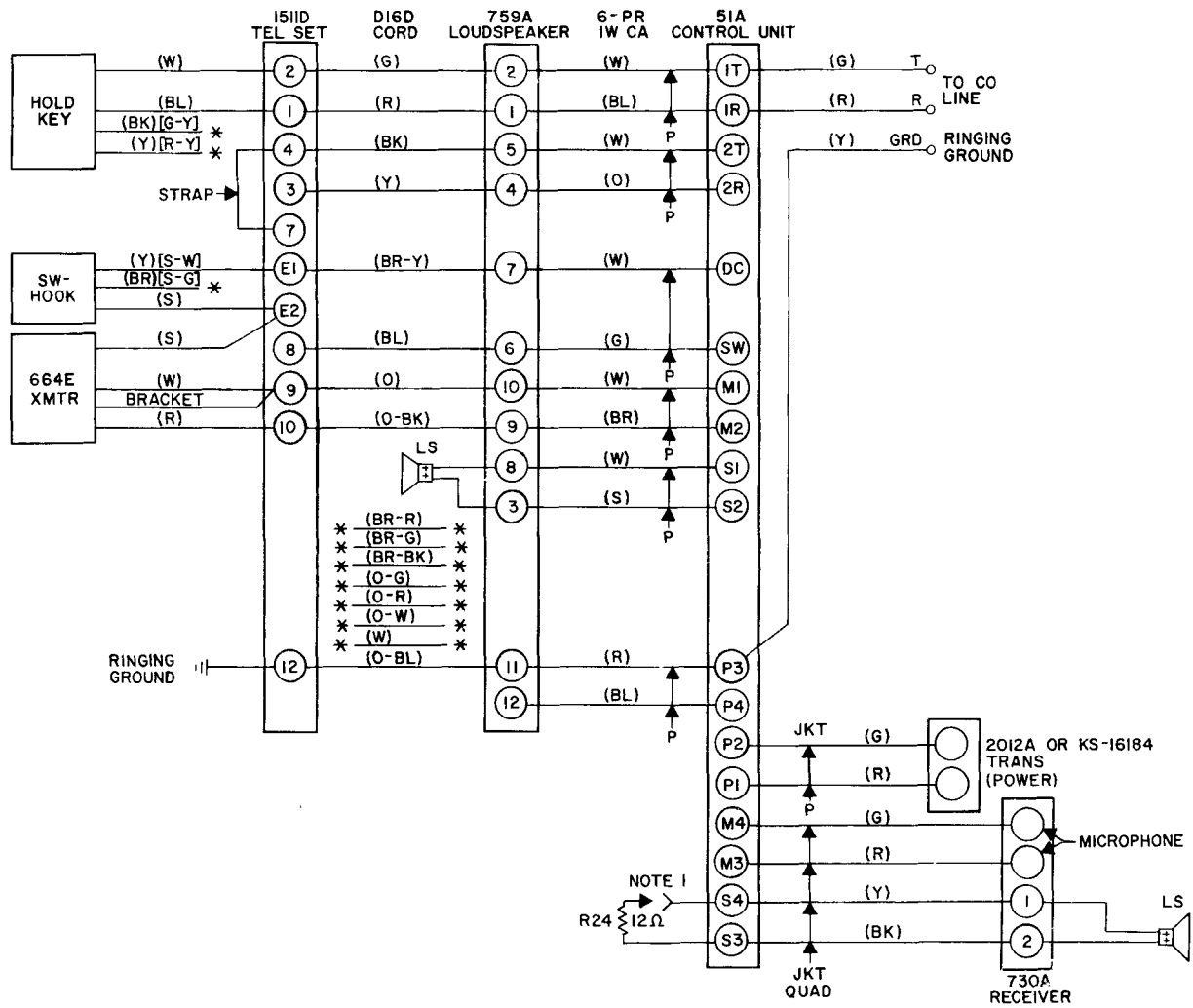


Fig. 2 – 1511D Telephone Set, Connections to 1A HOME INTERPHONE

TABLE C  
1511D SET – MODIFICATION

Item	Wire or Lead	From Term.	To Term.
Hold Key	[R-Y] (Y)	1	*
	[G-Y] (BK)	2	*
	BL	E1	1
	W	E2	2
Mtg Cord	W	7	*
Switch-hook	[S-W] (Y)	7	E1
	S	11	E2
	[S-G] (BR)	9	*
664E Xmtr	Strap		4 to 7
	R		10
	W and Bracket		9
Dial	S		E2
	[V-V] (V)	12	*

Note 1: Connect when one 730A receiver is used.

Note 2: See Table K for ringer connections.

\* Insulate and store.

( ) Indicates current color code.

[ ] Indicates MD color code.

SECTION 512-510-400

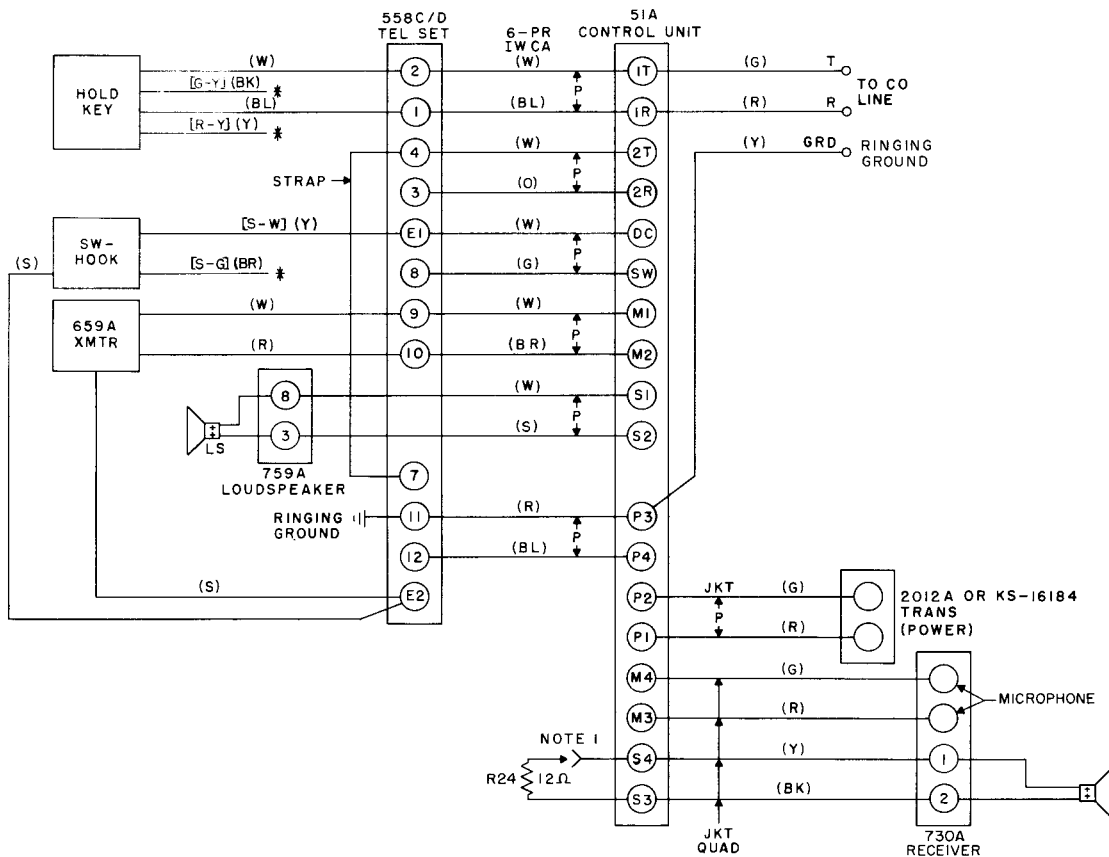


Fig. 3 — 558C/D Telephone Set, Connections to 1A HOME INTERPHONE

TABLE D

558C/D SET — MODIFICATION

Item	Wire or Lead	From Term.	To Term.
Hold Key	BL	5	1
	[R-Y](Y)	5	*
	W	6	2
Switch-hook	[G-Y](BK)	6	*
	[S-W](Y)	12	E1
	[S-G](BR)	9	*
Dial	S	10	E2
	Y	11	*
659A Xmtr	Strap		4 to 7
	R		10
	W		9
	S		E2

Note 1: Connect when one 730A receiver is used.

Note 2: See Table K for ringer connections.

\* Insulate and store.

( ) Indicates current color code.

[ ] Indicates MD color code.

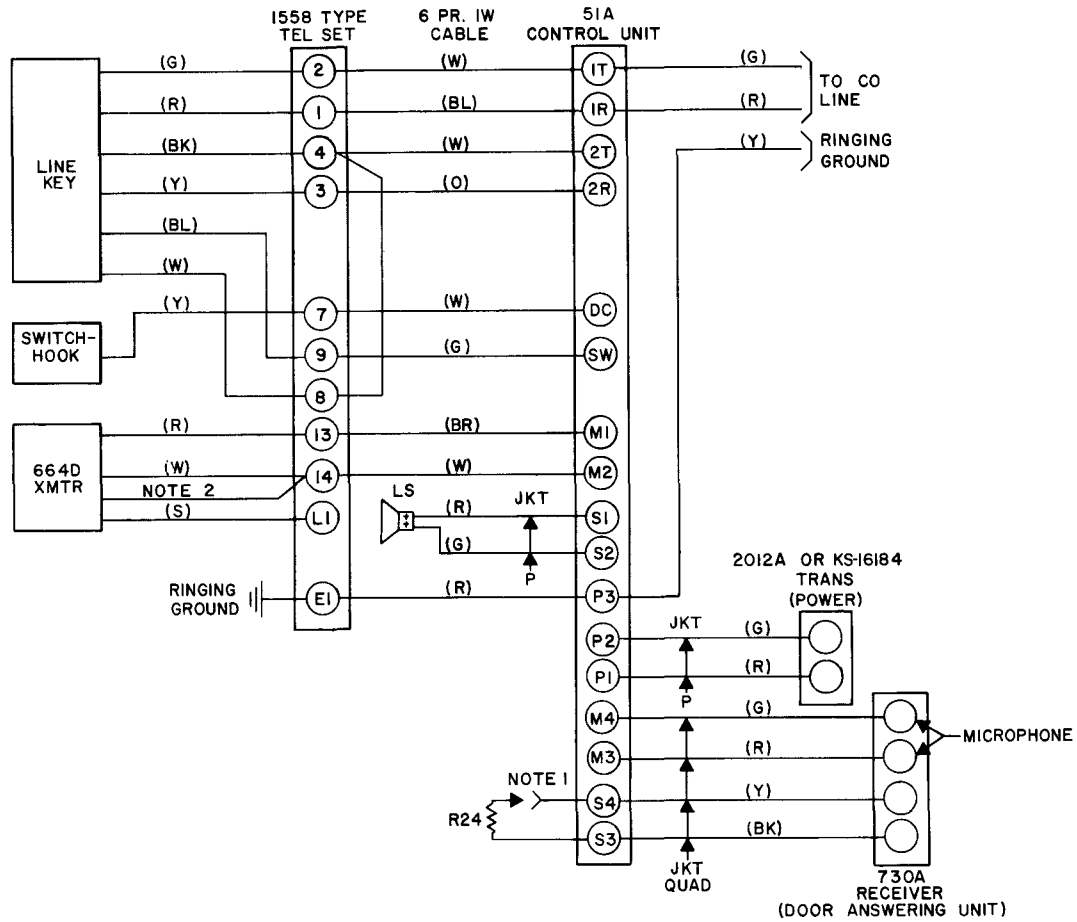


Fig. 4 – 1558D Telephone Set, Connections to 1A HOME INTERPHONE

TABLE E  
1558D SET – MODIFICATION

Wire or Lead		From	To
Switchhook Assembly	S	Terminal Board Punching 14	4010B Network Punching L1
Hold Key	Y	Terminal Board Punching 2	*
	O	Terminal Board Punching E2	Terminal Board Punching 2
	BR	Terminal Board Punching E1	Terminal Board Punching 1
	R	Terminal Board Punching E1	*
	G	Terminal Board Punching 1	*
	G-Y	Terminal Board Punching 13	*
	W	Terminal Board Punching 5	*
664D Xmtr	R		Terminal Board Punching 13
	S		4010B Network Punching L1
	W		Terminal Board Punching 14
	Bracket		Terminal Board Punching 14
Strap			4-8

Note 1: Connect when one 730A receiver is used.

Note 2: Transmitter bracket is part of transmitter circuit and must be connected to terminal 14 of terminal strip.

Note 3: See Table K for ringer connections.

\* Insulate and store.

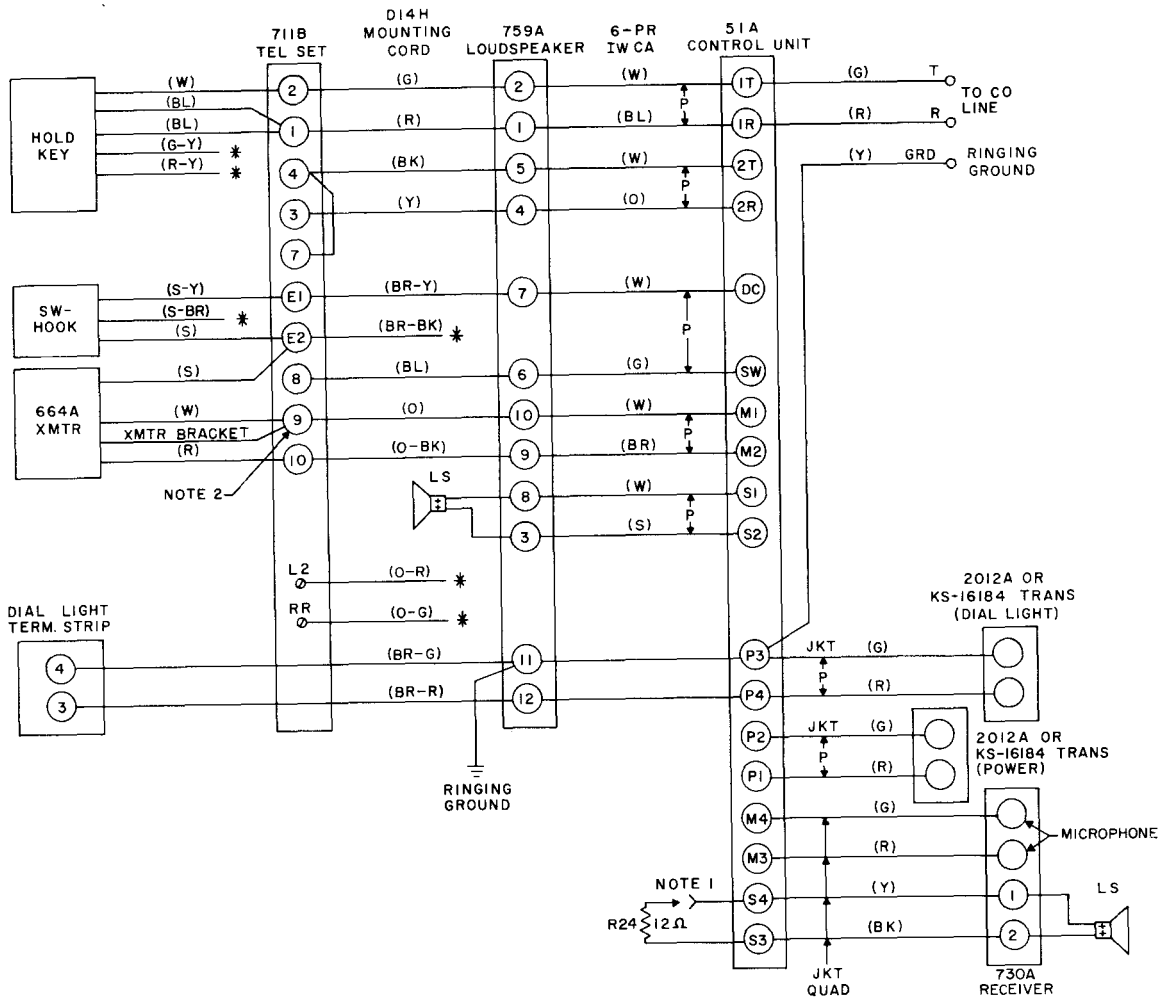


Fig. 5 - 711B Telephone Set, Connections to 1A HOME INTERPHONE

TABLE F  
711B SET - MODIFICATION

Item	Wire or Lead	From Term.	To Term.
Hold Key	R-Y	1	*
	G-Y	2	*
	BL	E1	1
	BL	E2	1
	W	E2	2
Switch-hook	S-Y	7	E1
	S	10	E2
	S-BR	9	*
664A Xmtr	R		10
	W		9
	Transmitter Mounting Bracket		9
	S		E2
Mtg Cord	W	7	*
	Strap		4-7

Note 1: Connect when one 730A receiver is used.

Note 2: Transmitter bracket is part of transmitter circuit and must be connected to terminal 9 of cord terminal strip.

Note 3: See Table K for ringer connections.

\* Insulate and store.

( ) Indicates current color code.

[ ] Indicates MD color code.

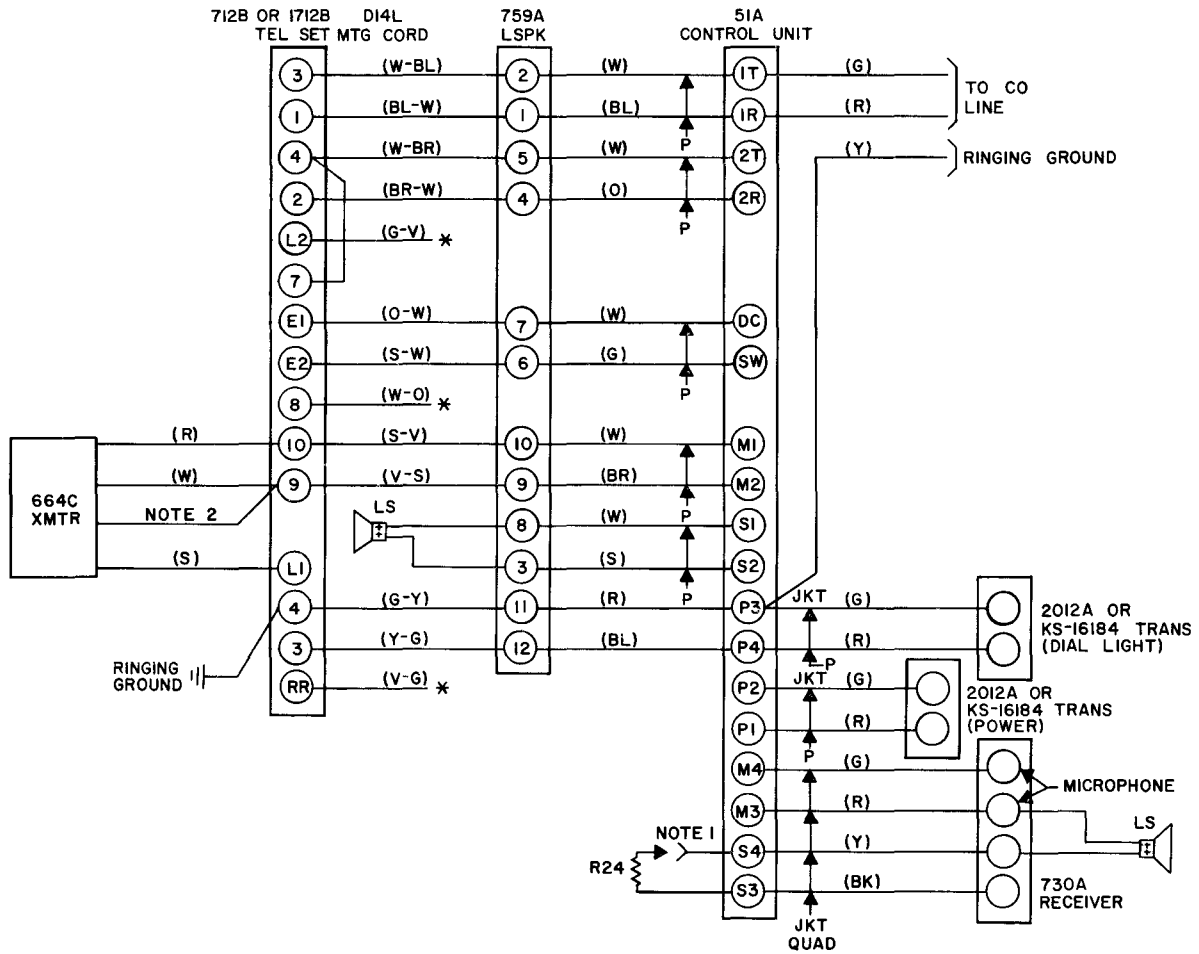


Fig. 6 – 712B and 1712B Telephone Set, Connections to 1A HOME INTERPHONE

TABLE G

712B AND 1712B SETS – MODIFICATION

Wire or Lead	From	To
664C Xmtr	R	10
	S	L1
	W	9
	Bracket	9
Mtg Cord	W-S	7
	Strap	4-7

Note 1: Connect when one 730A receiver is used.

Note 2: Transmitter bracket is part of transmitter circuit and must be connected to terminal 9 of cord terminal strip.

Note 3: See Table K for ringer connections.

\* Insulate and store.

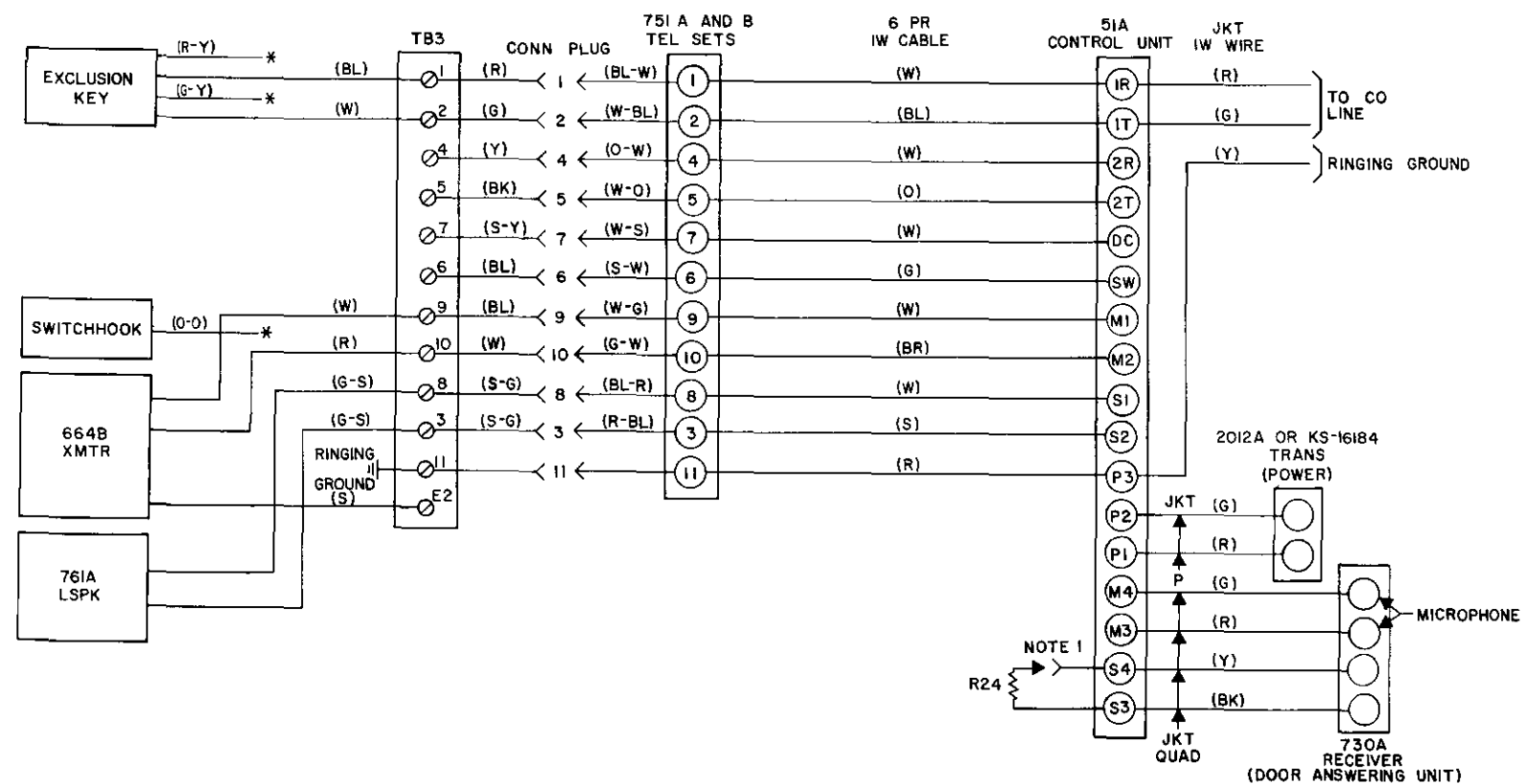


TABLE H  
751A/B SET - MODIFICATION

Wire or Lead	From TB3	To TB3
Exclusion Key	W	10
	BL	9
	G-Y	2
	R-Y	1
Switchhook	O-O	11
761A Loudspeaker	G-S	8
	G-S	3
664B Xmtr	R	10
	W	9
	S	E2

Note 1: Connect when one 730A receiver is used.

Note 2: See Table K for ringer connections.

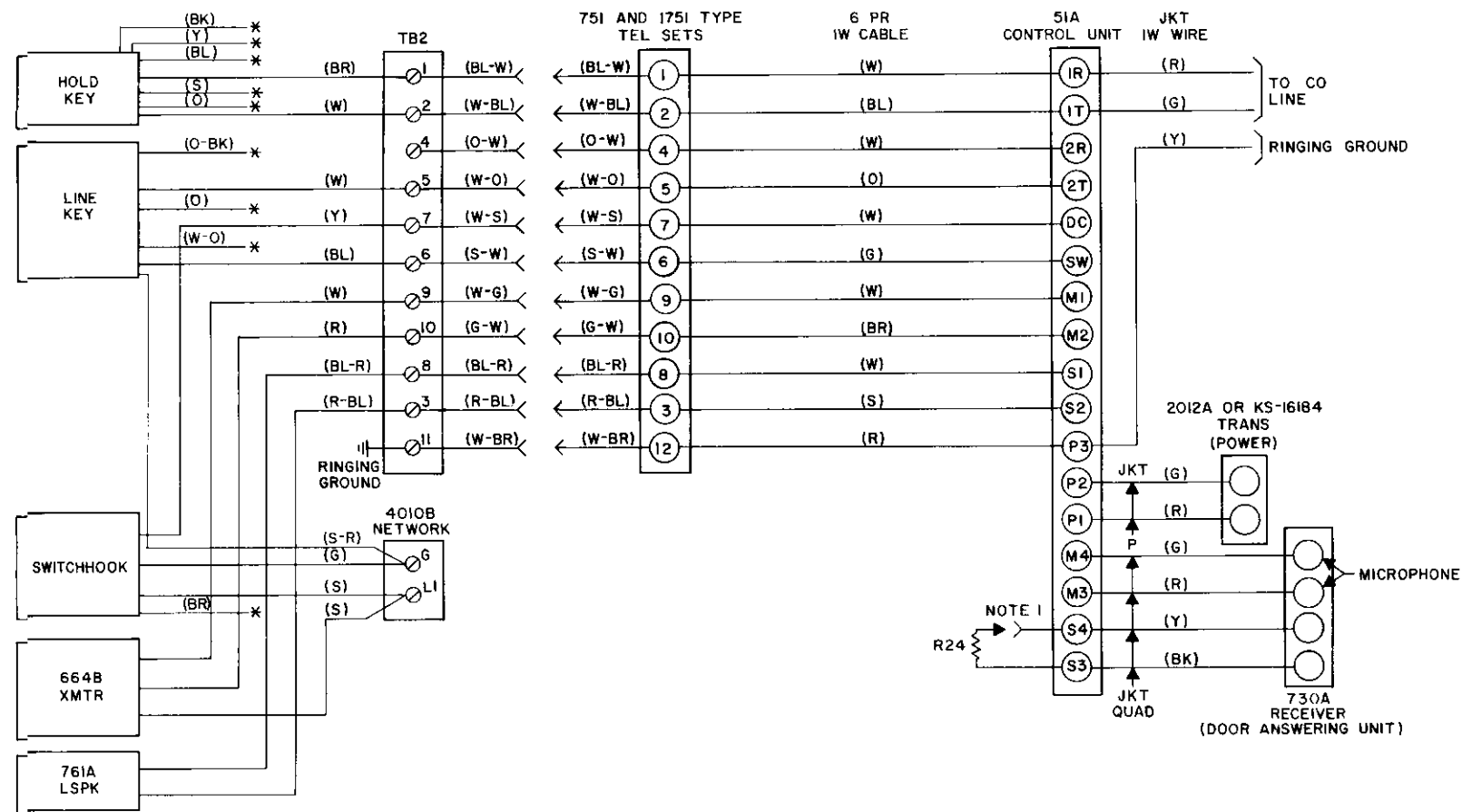
\* Insulate and store.

Fig. 7 - 751A/B Telephone Set, Connections to 1A HOME INTERPHONE



**TABLE J**  
**751C/D AND 1751C/D SETS – MODIFICATION**

Wire or Lead		From TB2	To TB2
Hold Key	BR	9	1
	W	10	2
	BK	2	*
	Y	1	*
	BL	9	*
	S	3	*
Line Key	O	6	*
	W-O	G	*
	O-BK	3	*
	S-R	L2	G
	W	11	5
Switchhook	BL	7	6
	S	*	L1
	Y	11	7
	BR	G	*
664B Xmtr	G	L2	G
	BL-R		8
761A Loudspeaker	R-BL		3
	R		10
	W		9
	S		L1



*Note 1:* Connect when one 730A receiver is used.

*Note 2:* See Table K for ringer connections.

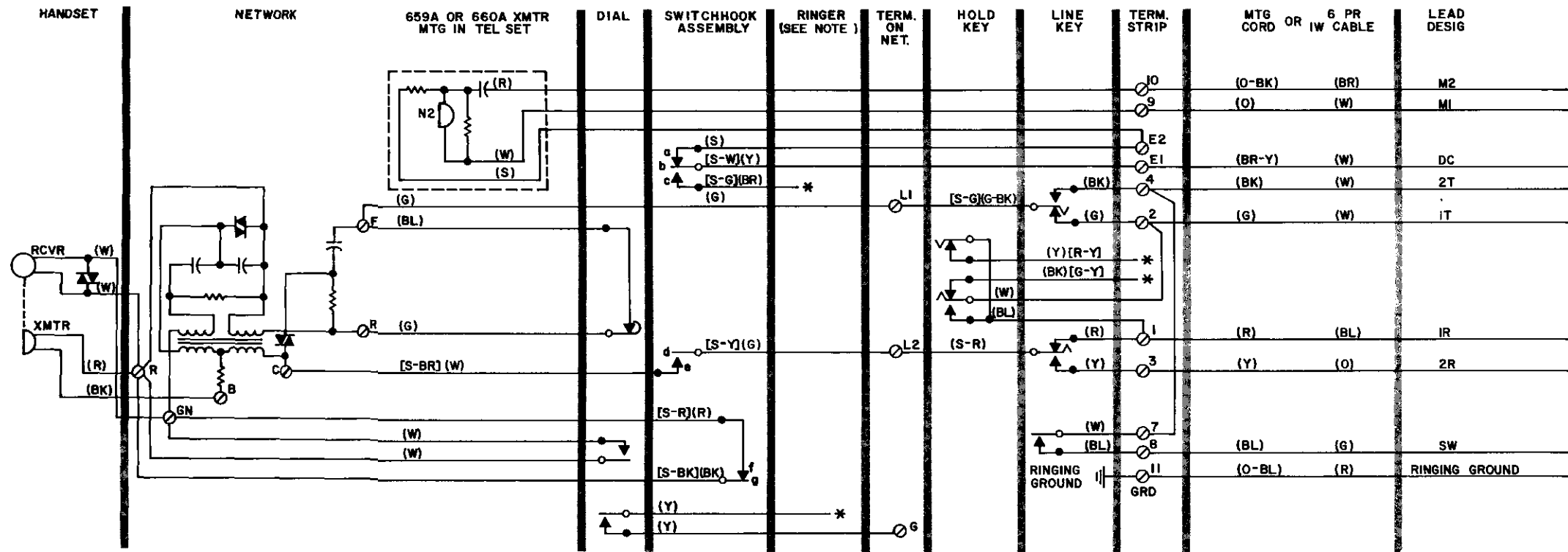
\* Insulate and store.

**Fig. 8 – 751C/D and 1751C/D Telephone Set, Connections to 1A HOME INTERPHONE**

**TABLE K**  
**RINGER CONNECTIONS FOR 1A HOME INTERPHONE**

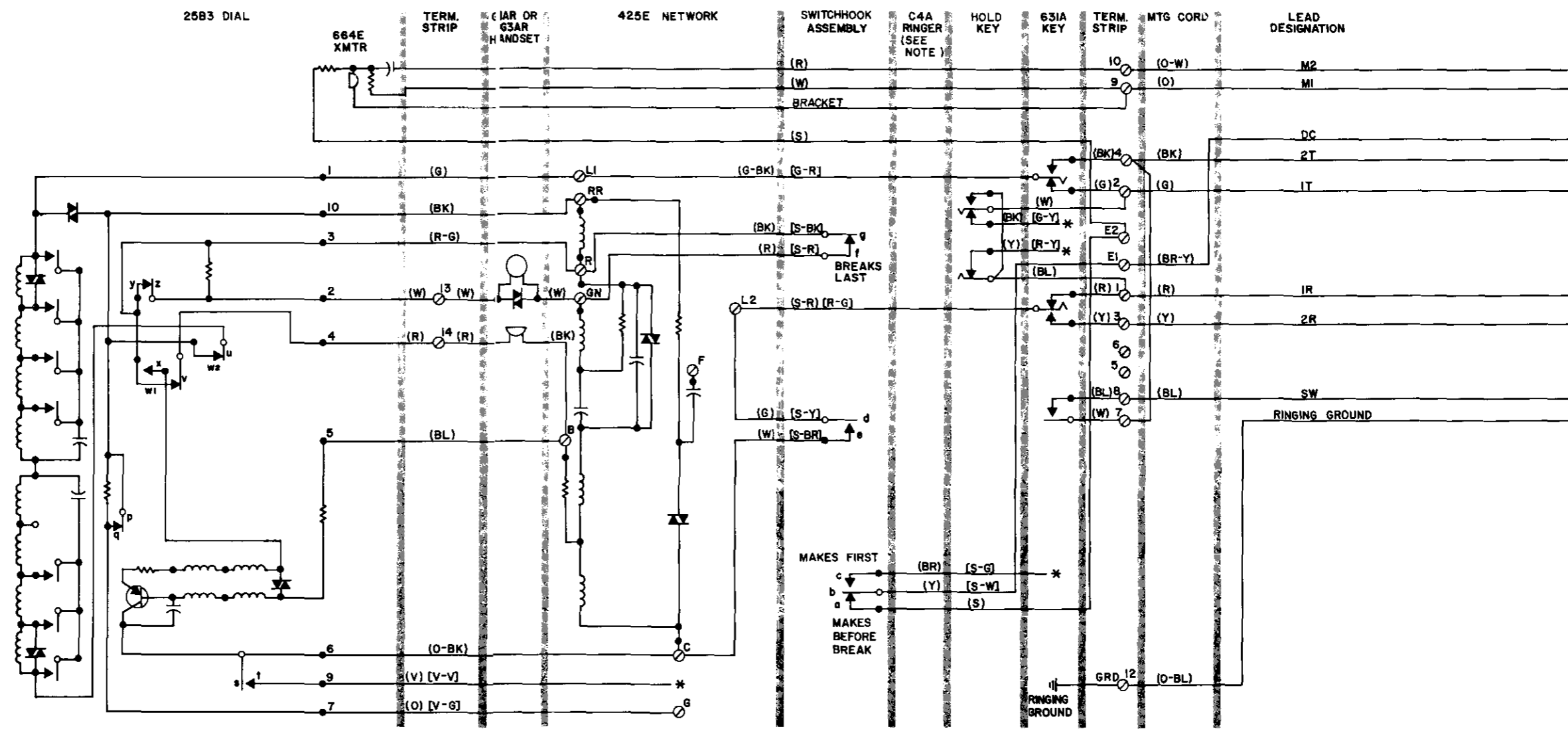
Type Set	Ringer and Leads	Type of Ringing		
		Bridged	Ring Party	Tip Party
511C/D and 558C/D	C4A	S-R	A	A
		S	K	K
		R	1	1
		BK	2	11
1511D	C4A	S-R	A	A
		S	K	K
		R	1	1
1558D	M1A	S	*	*
		S-R	*	*
		R	K	K
		BK	2	E1
		BL†		2
711, 712, and 1712B	E1A ‡	Term. 6	2§	11§
		Term. 5	1§	2§
751A/B	D1B	S-R	A	A
		S	K	K
		R	1	1
751C/D 1751C/D	D1E	S-R	A	A
		S	K	K
		R	1	1
		BK	2	12

\* Insulate and store.  
 † Leads are straps from network.  
 ‡ The E1A ringer is separately mounted, and paired wire must be run between E1A ringer and 759A loudspeaker.  
 § Terminals in 759A loudspeaker.



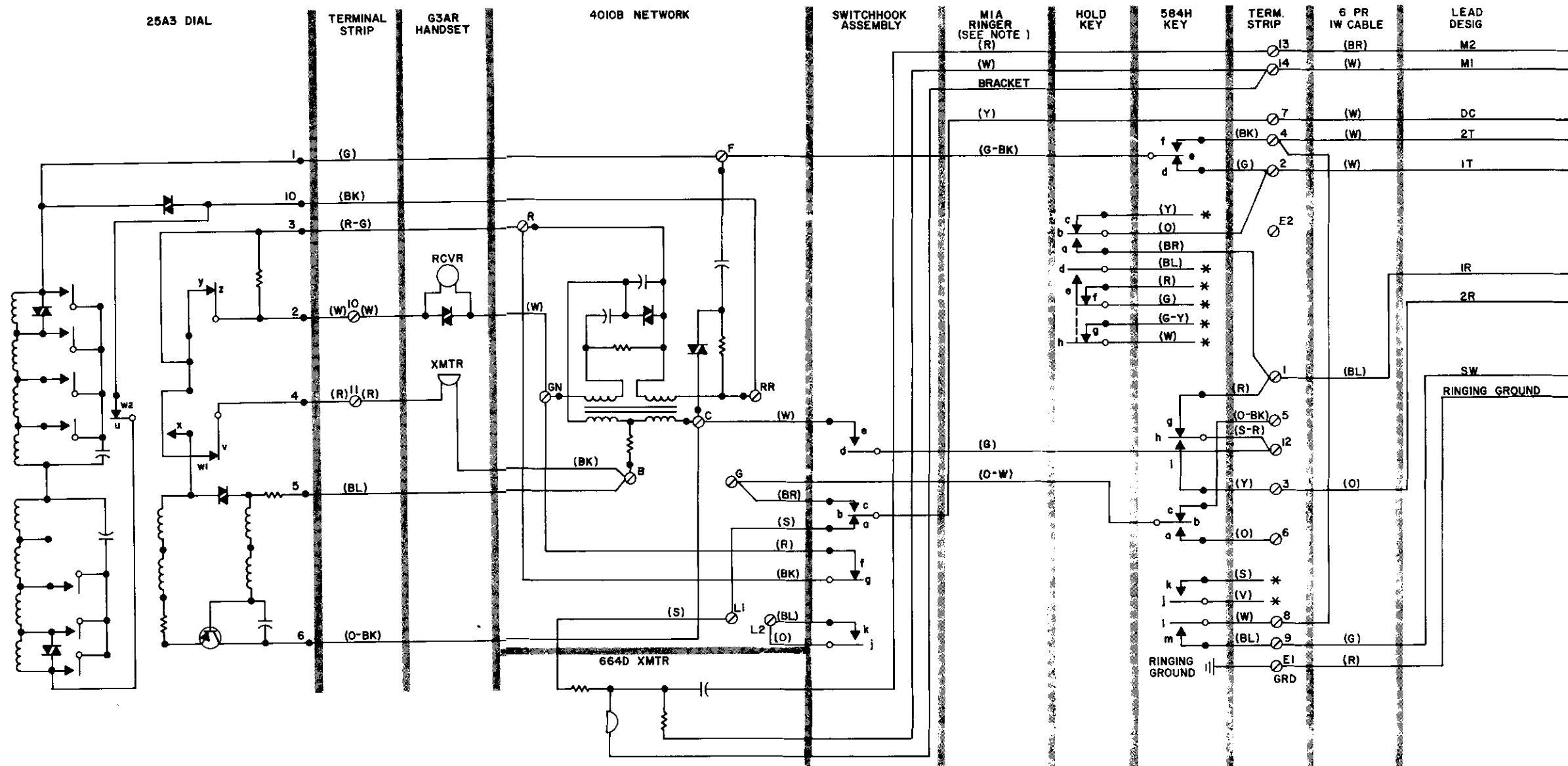
*Note 1:* See Table K for ringer connections.  
 \* Insulate and store.  
 ( ) Indicates current color code.  
 [ ] Indicates MD color code.

**Fig. 9 – 511C/D or 558C/D Telephone Set, Connections to 1A HOME INTERPHONE**



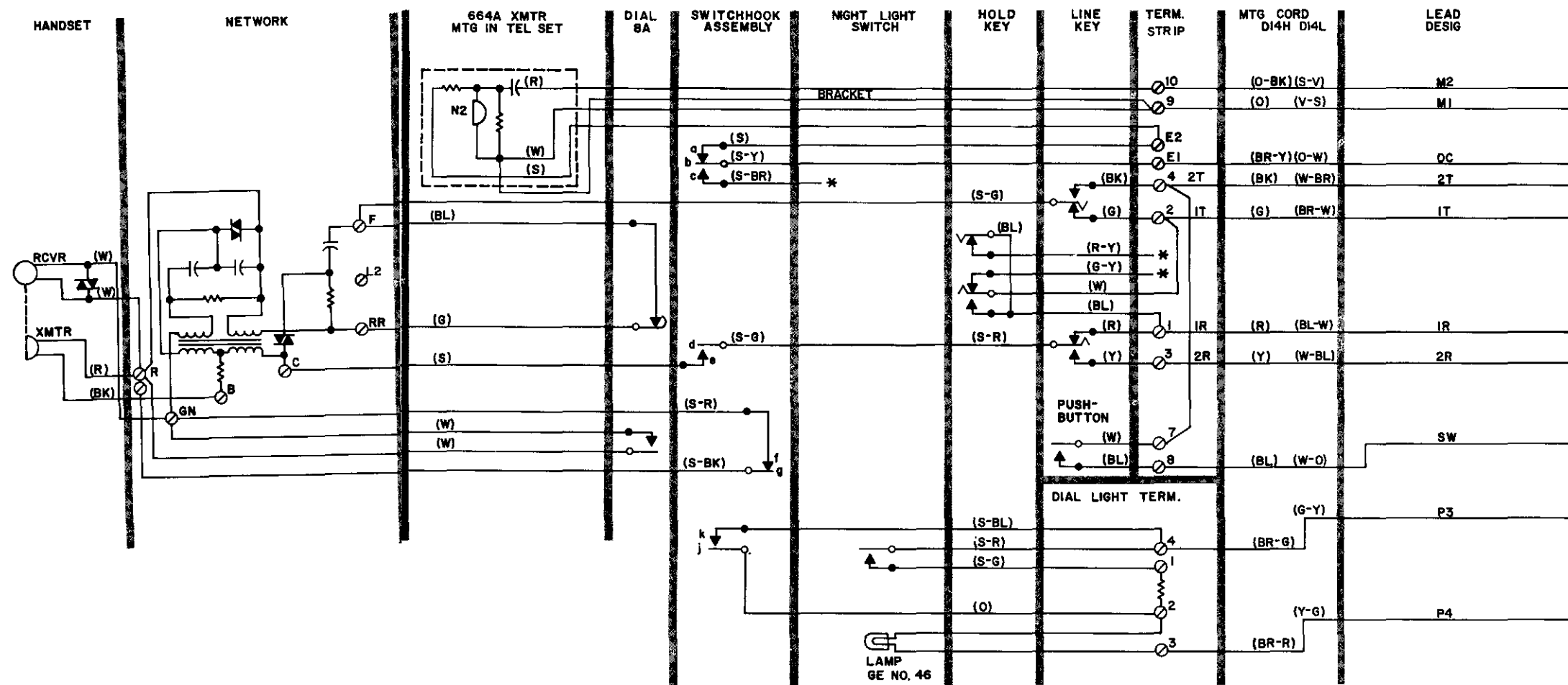
*Note 1:* See Table K for ringer connections.  
 \* Insulate and store.  
 ( ) Indicates current color code.  
 [ ] Indicates MD color code.

Fig. 10 — 1511D Telephone Set, Connections to 1A HOME INTERPHONE



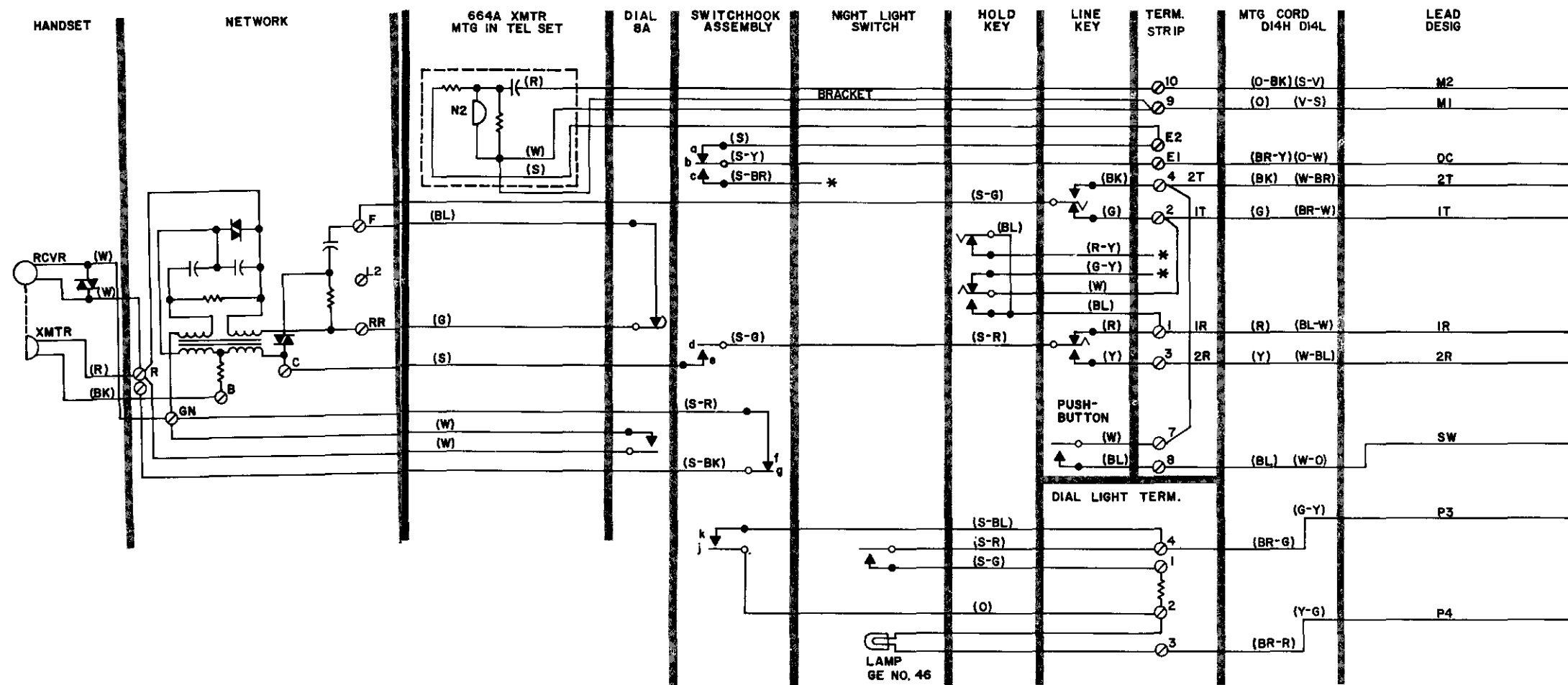
Note 1: See Table K for ringer connections.  
 \* Insulate and store.

Fig. 11 — 1558D Telephone Set, Connections to 1A HOME INTERPHONE



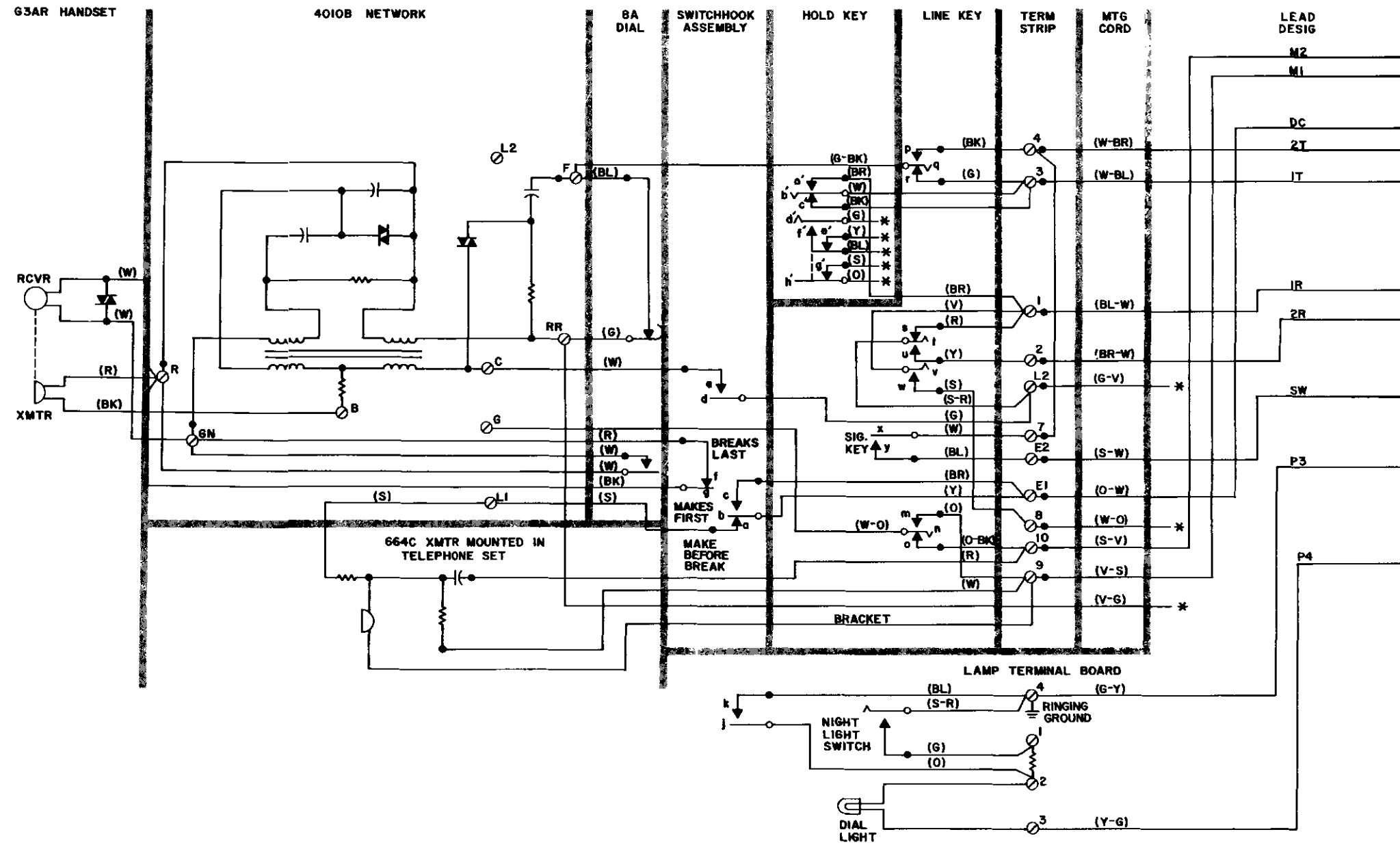
Note 1: See Table K for ringer connections.  
 \* Insulate and store.

Fig. 12 — 711B Telephone Set, Connections to 1A HOME INTERPHONE



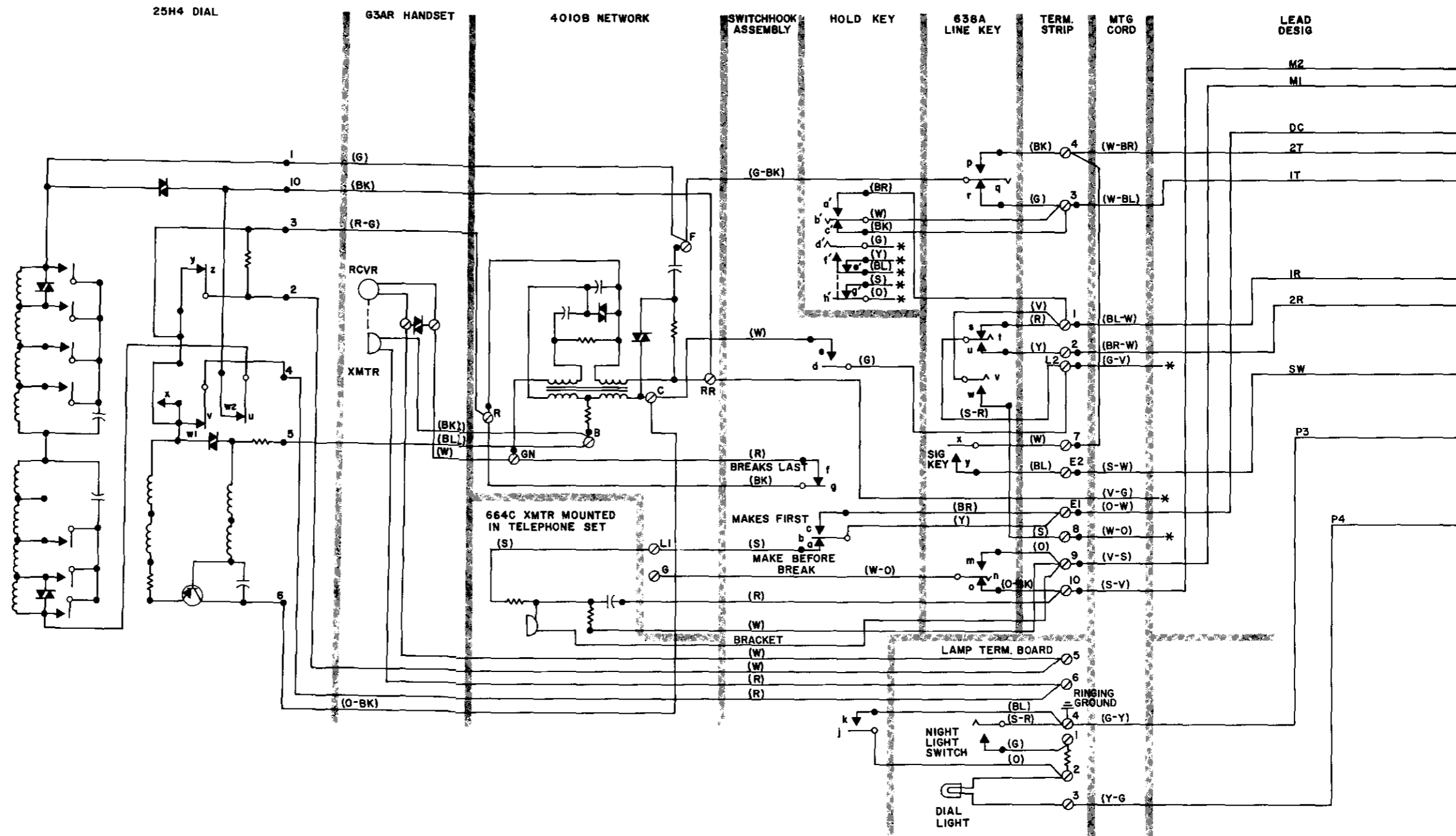
Note 1: See Table K for ringer connections.  
 \* Insulate and store.

Fig. 12 — 711B Telephone Set, Connections to 1A HOME INTERPHONE



Note 1: See Table K for ringer connections.  
 \* Insulate and store.

Fig. 13 - 712B Telephone Set, Connections to 1A HOME INTERPHONE



Note 1: See Table K for ringer connections.  
 \* Insulate and store.

Fig. 14 - 1712B Telephone Set, Connections to 1A HOME INTERPHONE



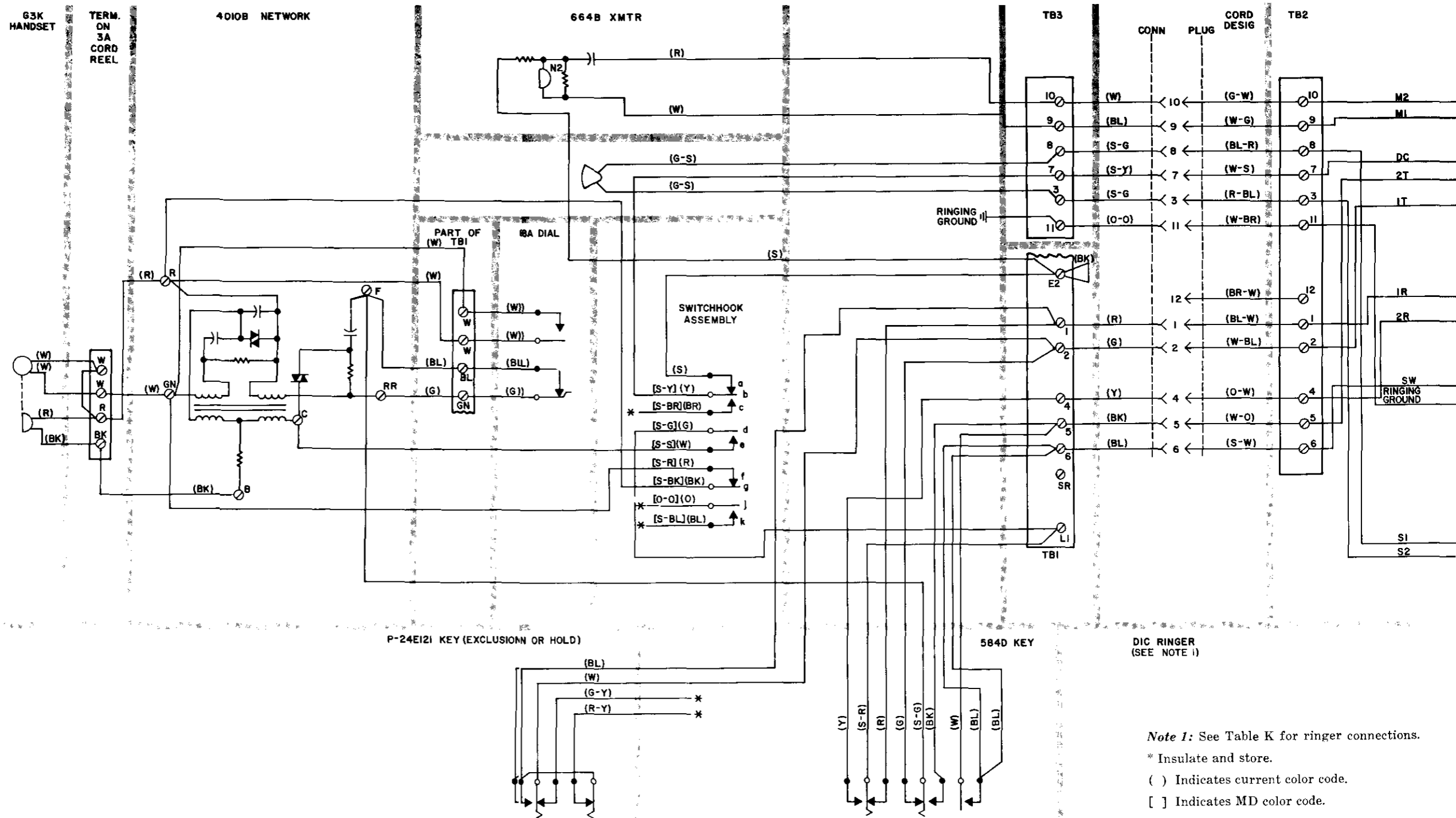
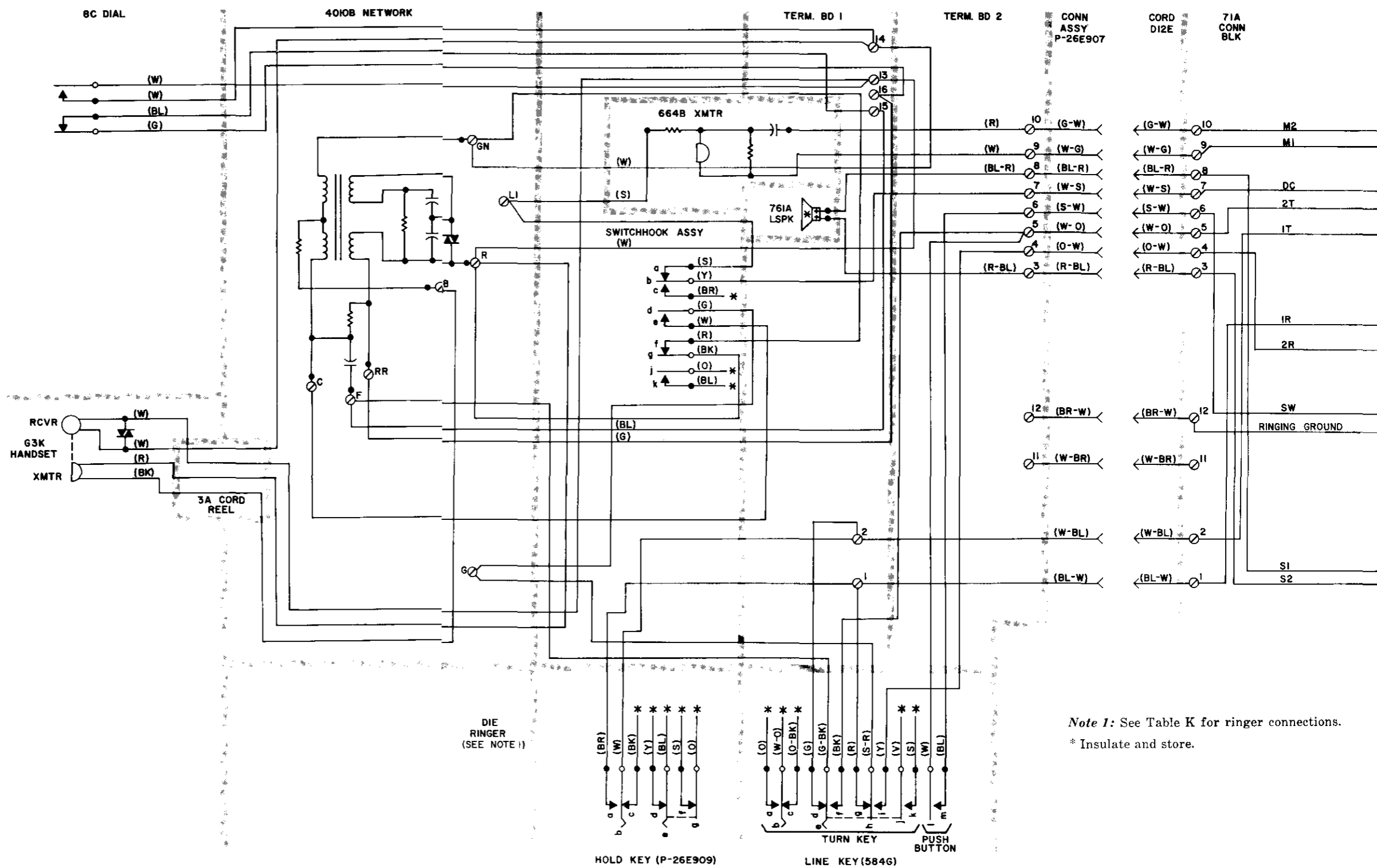
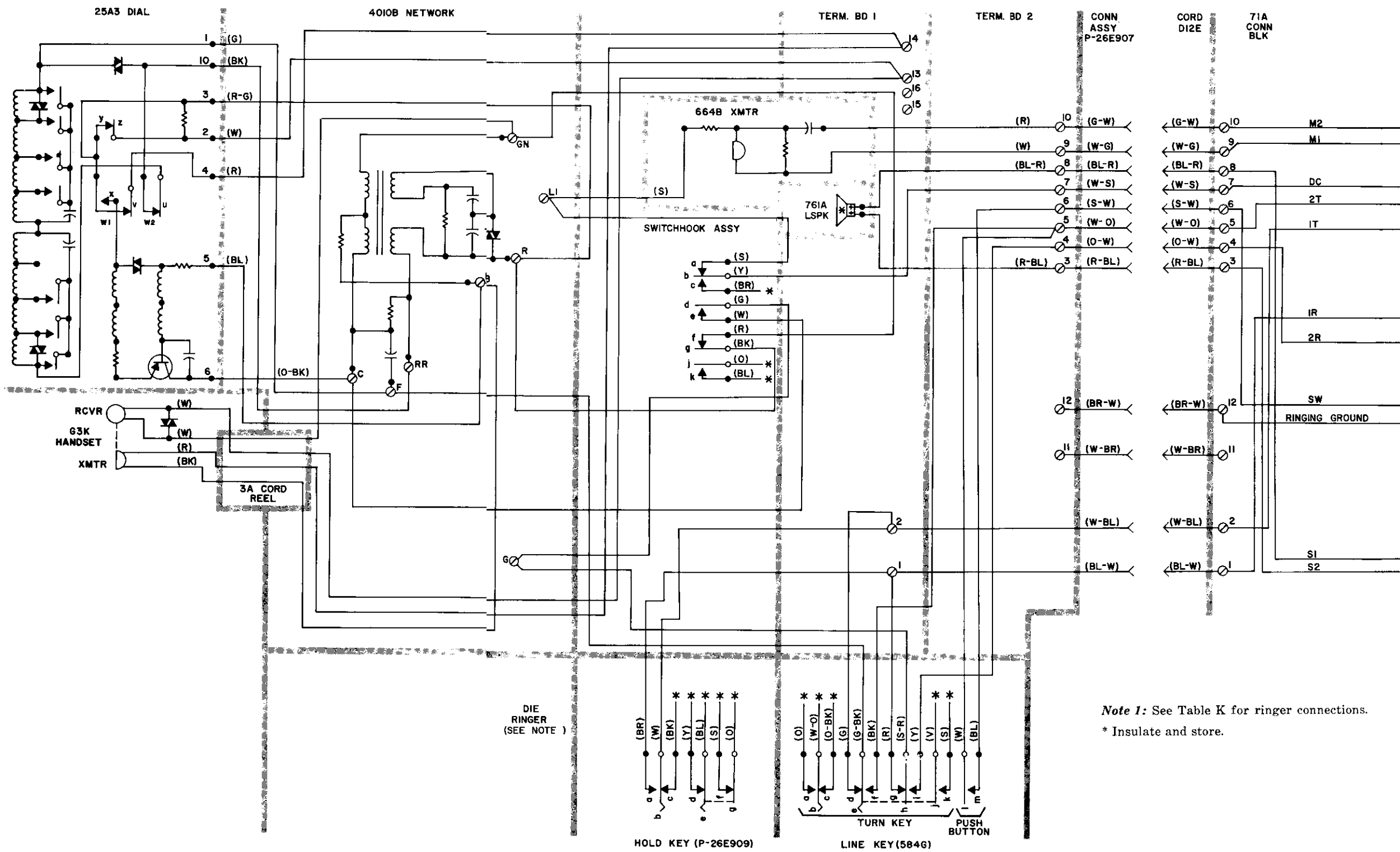


Fig. 15 -- 751A/B Telephone Set, Connections to 1A HOME INTERPHONE



Note 1: See Table K for ringer connections.  
\* Insulate and store.

Fig 16 - 751C/D Telephone Set, Connections to 1A HOME INTERPHONE



Note 1: See Table K for ringer connections.  
 \* Insulate and store.

Fig. 17 - 1751-Type Telephone Set, Connections to 1A HOME INTERPHONE

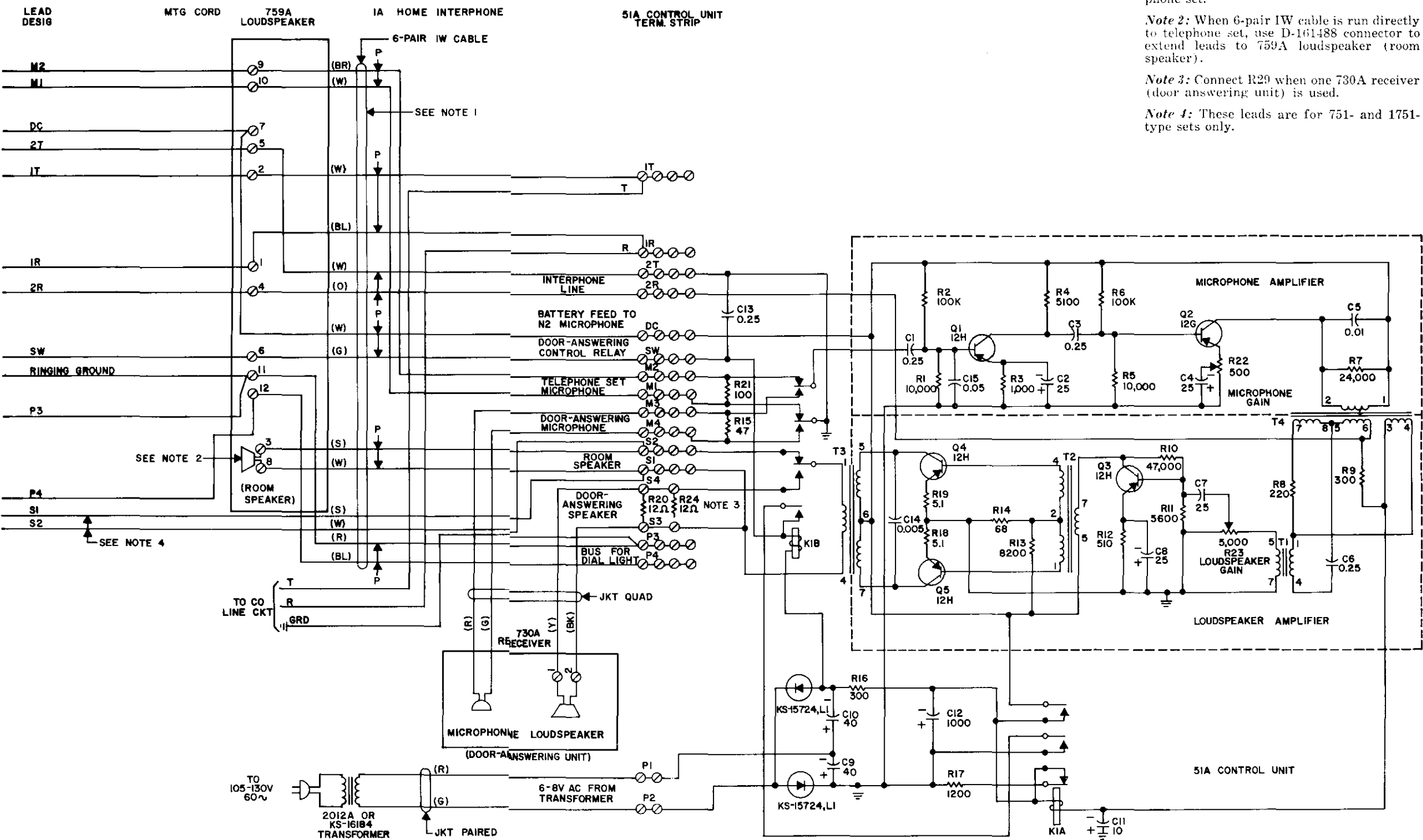


Fig. 18 - 51A Control Unit-1A HOME INTERPHONE