

TELEPHONE SET  
500AB AND 500ABM  
IDENTIFICATION, INSTALLATION, AND MAINTENANCE

1. GENERAL

1.01 Installation of the 500AB or 500ABM telephone set is intended solely for use with specially engineered lines—*not for general telephone use.*

1.02 This section is reissued to add:

- T1A ringer
- 9HA dial
- 4228-type network
- 500ABM (modular) telephone set
- KS-20419L1 buzzer

1.03 These are desk-type sets intended for use with individual lines, 1A1 or 1A2 key telephone systems, and 3-type speakerphone system. It is available in black (-03) only.

2. IDENTIFICATION

2.01 The 500AB telephone set consists essentially of a 9H or 9HA dial, G3Y handset, 425E or 4228-type network, N1A or T1A ringer, D16G plug ended mounting cord, and a line switch providing six transfer contacts.

2.02 The 500ABM (modular) telephone set is the same as the 500AB except it is equipped with a 616D jack assembly and a modular G15Y handset which will accept the H4DU handset cord. The H4DU handset cord must be ordered separately.

2.03 These sets are factory wired for 2-wire service. For wiring changes necessary to

convert the set to 4-wire service, refer to Section 529-205-400.

2.04 These sets are equipped with a N1A or T1A single gong ringer. The ringer volume control lever is located on the left side of set behind the handset cord entrance. Ringer volume control is adjustable from LOUD to OFF in three steps. The off position is blocked by a factory placed machine screw. Remove the screw for ringer cutoff feature.

2.05 These sets can be used with 3-type speakerphone system in 2-wire service. For internal wiring connections necessary to adapt the set for speakerphone operation, refer to Section 529-205-400.

3. INSTALLATION

3.01 The 500AB or 500ABM telephone set is arranged to mount a KS-8109L2 buzzer on a bracket assembly located in rear of set close to the network. Mount the buzzer so that its frame is insulated from the metal bracket with two nylon screws and washers furnished with set. Order buzzer separately when required.

3.02 If desired the miniature KS-20419L1 (6-10 volt AC only) buzzer can be mounted inside the telephone set where it will not interfere with the electrical or mechanical operation of the telephone set. The buzzer circuit is insulated from the case and bracket so that the buzzer can be attached to metal parts in the set. Order buzzer separately when required.

3.03 Install set in accordance with standard installation procedures.

NOTICE

Not for use or disclosure outside the  
Bell System except under written agreement



Fig. 1—500AB Telephone Set

3.04 The set mounting cord is plug ended to mate with the system cabling connector or 66-type connecting block.

#### 4. MAINTENANCE

4.01 Maintenance of the 500AB or 500ABM telephone set is similar to the maintenance

of existing 500-type sets. See appropriate sections for maintenance of individual components such as handsets, ringers, networks, and dials.



## TELEPHONE SET — 500AB AND 500ABM CONNECTIONS

### 1. GENERAL

1.01 The 500AB or 500ABM telephone set is intended solely for use with specially engineered lines — *not for general telephone use.*

1.02 This section is reissued to add.

- T1A ringer
- 4228-type network
- KS-20419L1 buzzer
- 500ABM (modular) telephone set.

1.03 These desk-type sets are arranged for 2- or 4-wire service with individual lines and 1A1 or 1A2 key telephone systems. It is equipped with a plug ended mounting cord and a line switch providing 6 transfer contacts.

1.04 The set can be used with the 3-type speakerphone system in 2-wire service. Table A lists the internal wiring connections necessary to adapt the set for speakerphone operation.

1.05 Cord tip insulators on the D16G mounting cord must be removed to terminate leads for speakerphone and 4-wire service.



*Do not pull insulators off cord tips. Cut insulators off with electrician scissors or diagonal pliers to prevent breaking conductors or stripping of cord tips.*

1.06 ♦The 500ABM (modular) telephone set uses a G15Y handset. Both the telephone set and handset accept the plug-ended H4DU cord which must be ordered separately.♦

### 2. OPTIONS

#### 3-TYPE SPEAKERPHONE

2.01 To use with 3-type speakerphone system, terminate internal wiring as shown in Table A.

#### 4-WIRE SERVICE

2.02 The 500AB ♦or 500ABM♦ telephone set is factory wired for 2-wire service (Fig. 1 and 2). Table B shows wiring changes necessary to convert the set to 4-wire service.

#### BUZZER

2.03 A KS-8109L2 buzzer can be mounted in the space provided in the set. Mount the buzzer so that its frame is insulated from the metal base of the set.

(a) To provide AC buzzer operation, terminate the BZ (BL-V) lead of the mounting cord to the A terminal and the BZ1 (V-BL) lead to the C terminal of the buzzer.

(b) To provide DC buzzer operation, terminate the BZ (BL-V) lead of the mounting cord to the frame and the BZ1 (V-BL) lead to terminal C of the buzzer.

2.04 ♦If desired the miniature KS-20419L1 (6-10 volt AC only) buzzer can be mounted inside the telephone set where it will not interfere with electrical or mechanical operation of the telephone set. The buzzer circuit is insulated from the case and bracket so that the buzzer can be attached to metal parts in the set.

2.05 Use spare terminals to connect the KS-20419L1 buzzer to the (BL-V) (V-BL) buzzer leads.♦

2.06 Buzzer leads BZ (BL-V) and BZ1 (V-BL) may be connected to the R, R1, or BZ and B,

### NOTICE

Not for use or disclosure outside the  
Bell System except under written agreement

B1, or BZ1 terminals, respectively, at the associated switching equipment to provide the required buzzer operation.

3. CONNECTIONS



*No changes in wiring other than those specified in this practice shall be made.*

**TABLE A**  
**3-TYPE SPEAKERPHONE CONNECTIONS**  
**(2-Wire Service)**

MOUNTING CORD		CONNECT TO	
LEAD	DESIG	TB1	NETWORK
(V-O)	P3	14	
(O-V)	P4	15	
(V-G)	T1		RR
(G-V)	R1	7	
(V-S)	AG	4	
(S-V)	LK		L1

**TABLE B**  
**4-WIRE CONVERSION**

LEADS	REMOVE FROM	CONNECT TO
Dial (W) * Line Switch (W-BR)	R	17
Dial (W) * Line Switch (BK)	GN	18
Mounting Cord (BR-Y) Mounting Cord (Y-BR)		17 18

\* White leads on dial can be interchanged.



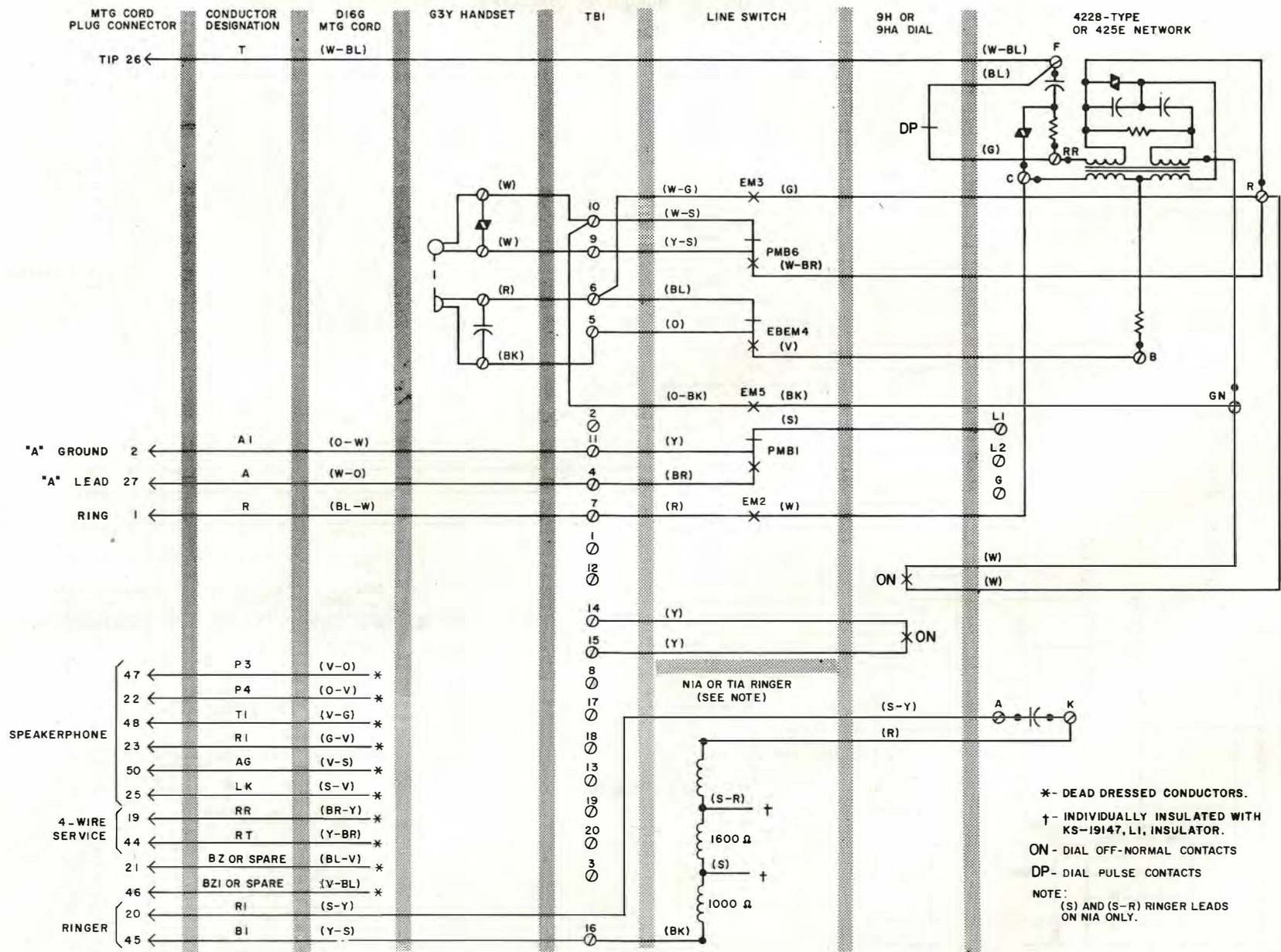


Fig. 1—500AB Telephone Set, Connections

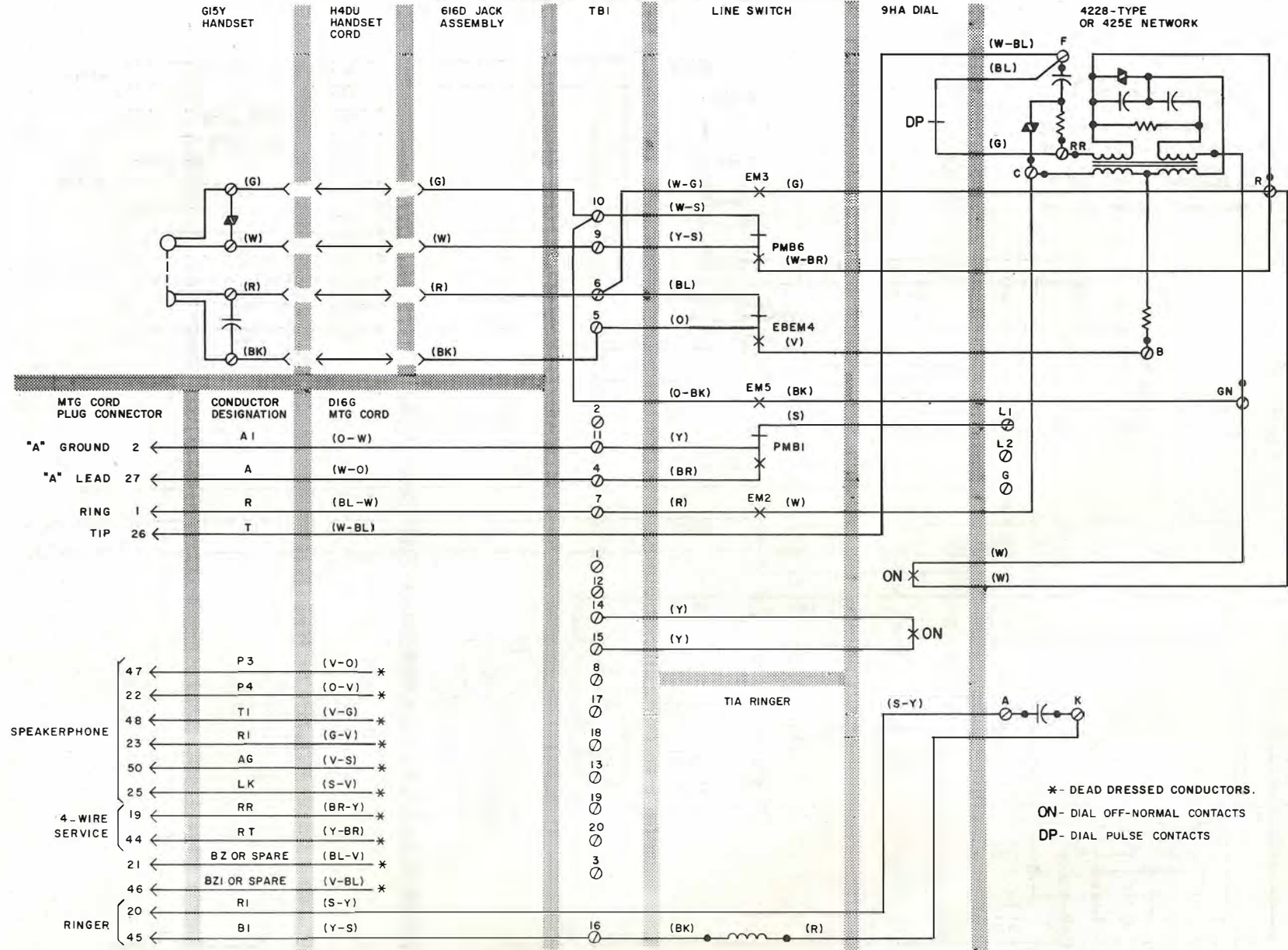


Fig. 2—500ABM Telephone Set, Connections