

558D, 558F, 558FM, 2558D, AND 2558DM TELEPHONE SETS

CONNECTIONS

SPEAKERPHONE SYSTEM—4A

1. GENERAL

1.01 Refer to Section 512-700-100 for detailed information on the components of the 4A speakerphone system.

1.02 This section is reissued to:

- Add information to identify registered and typical grandfathered arrangements
- Add safety information for installing or removing the 85B1 power unit
- Add 223D adapter and M16H mounting cord
- Show 223A adapter and M16C mounting cord MD.

1.03 To provide 4A speakerphone feature at the 558- and 2558-type telephone sets, refer to Fig. 1 or 2 for layout arrangement of the components required for the system and Fig. 3, 4, 5, or 6 for individual lead connections.

2. CONNECTIONS

A. 223-Type Adapter

2.01 The cords from the 108-type loudspeaker set, 680-type transmitter, and 85B1 power unit are installed in the proper receptacle of the 223A (MD) or 223D adapter. The cover must be fastened securely to assure proper mating of connectors.

B. 108-Type Loudspeaker Set

2.02 The loudspeaker set and transmitter must be placed a minimum of one foot apart.

C. 680-Type Transmitter

2.03 The transmitter must be placed at least two feet from transformer or any ac powered device.

D. 85B1 Power Unit

2.04 Power shall be supplied by connecting 85B1 power unit as shown in Fig. 1 or 2.

2.05 Use an ac power outlet (not under control of a switch) located as close as possible to the system being installed. A retaining clamp will be shipped with the power unit and should be mounted to the ac receptacle to hold power unit securely and to prevent accidental loss of power.

Danger: *For safety, securely attach a retaining clamp to ac outlet using outlet cover screw BEFORE attempting to install 85B1 power unit. When removing 85B1 power unit, always unplug the power unit completely from the outlet BEFORE attempting to remove the retaining clamp. This will prevent the possibility of a loosened retainer clamp or metallic outlet cover making contact with the ac prongs of the 85B1 power unit when partially withdrawn from outlet. Do not use retaining clamp on outlets where the cover mounting screw holds the duplex outlet in the box.*

Warning: *Care should be taken to trim and dress leads connecting to low voltage output terminals of 85B1 power unit to assure that inadvertent connection to conducting surfaces or other power source does not occur. If more than one power unit is*

NOTICE

Not for use or disclosure outside the
Bell System except under written agreement

plugged into a multiple receptacle power strip, there must be at least one inch separation between power units. Only UL listed receptacle power strips with adequate power rating shall be used. Use of a continuous terminal power strip that allows the secondary output terminals of the power unit to be in close proximity to the ac line source is not recommended.

2.06 The M2FG cord is furnished as part of the 223-type adapter for connecting the 85B1 power unit.

2.07 The 85B1 power unit should be located less than 125 feet from 108-type loudspeaker set when using 24 gauge wire or 85 feet when using 26 gauge wire. Refer to Section 512-700-100 for detailed information on power supply applications.

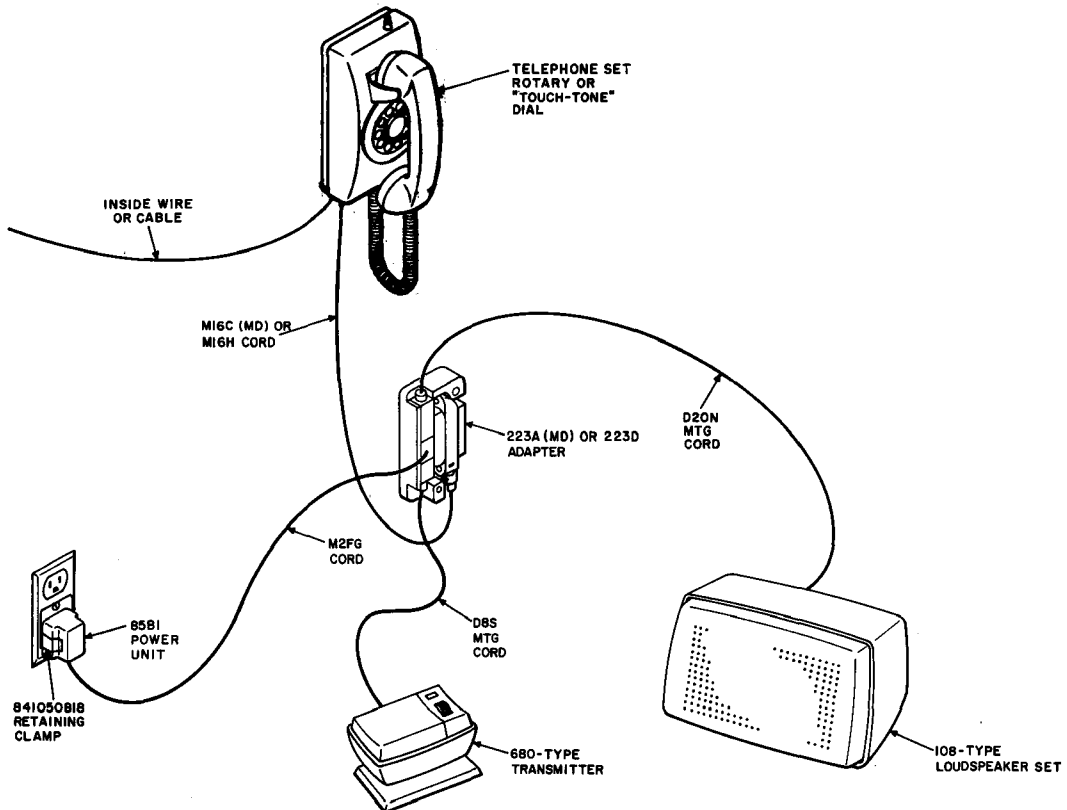


Fig. 1—Typical Grandfathered 4A Speakerphone System Arrangement, 558D, 558F, and 2558D Telephone Sets Using 223A (MD) or 223D Adapter

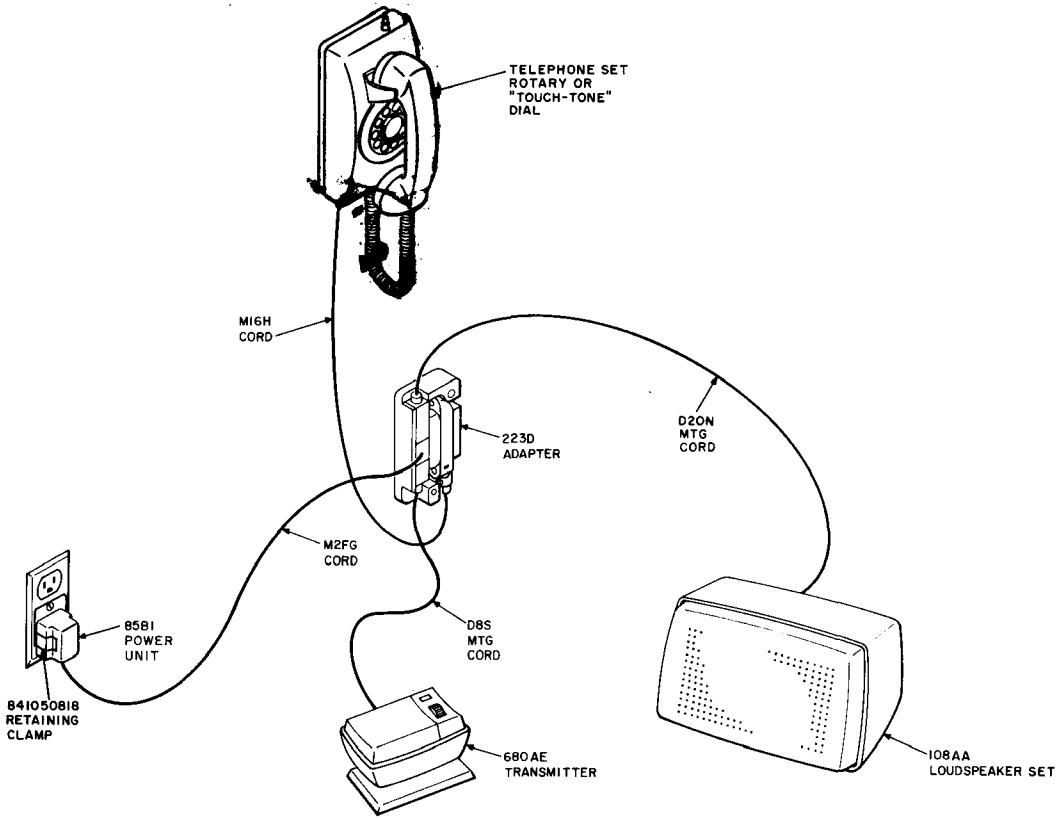


Fig. 2—Registered 4A Speakerphone System Arrangement, 558FM and 2558DM Telephone Sets Using 223D Adapter

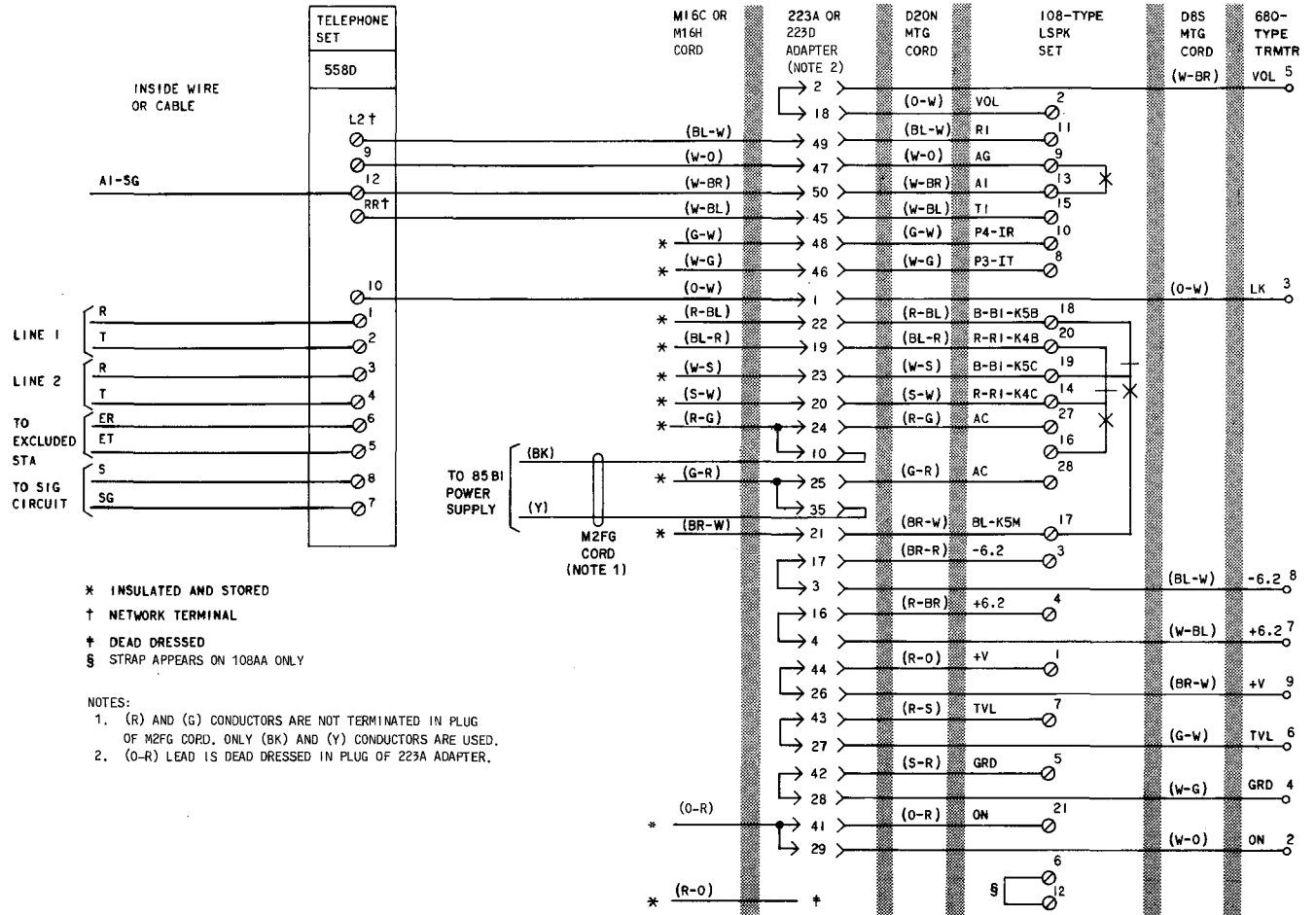


Fig. 3—Typical Grandfathered 4A Speakerphone System Arrangement, Connections to 558D Telephone Set

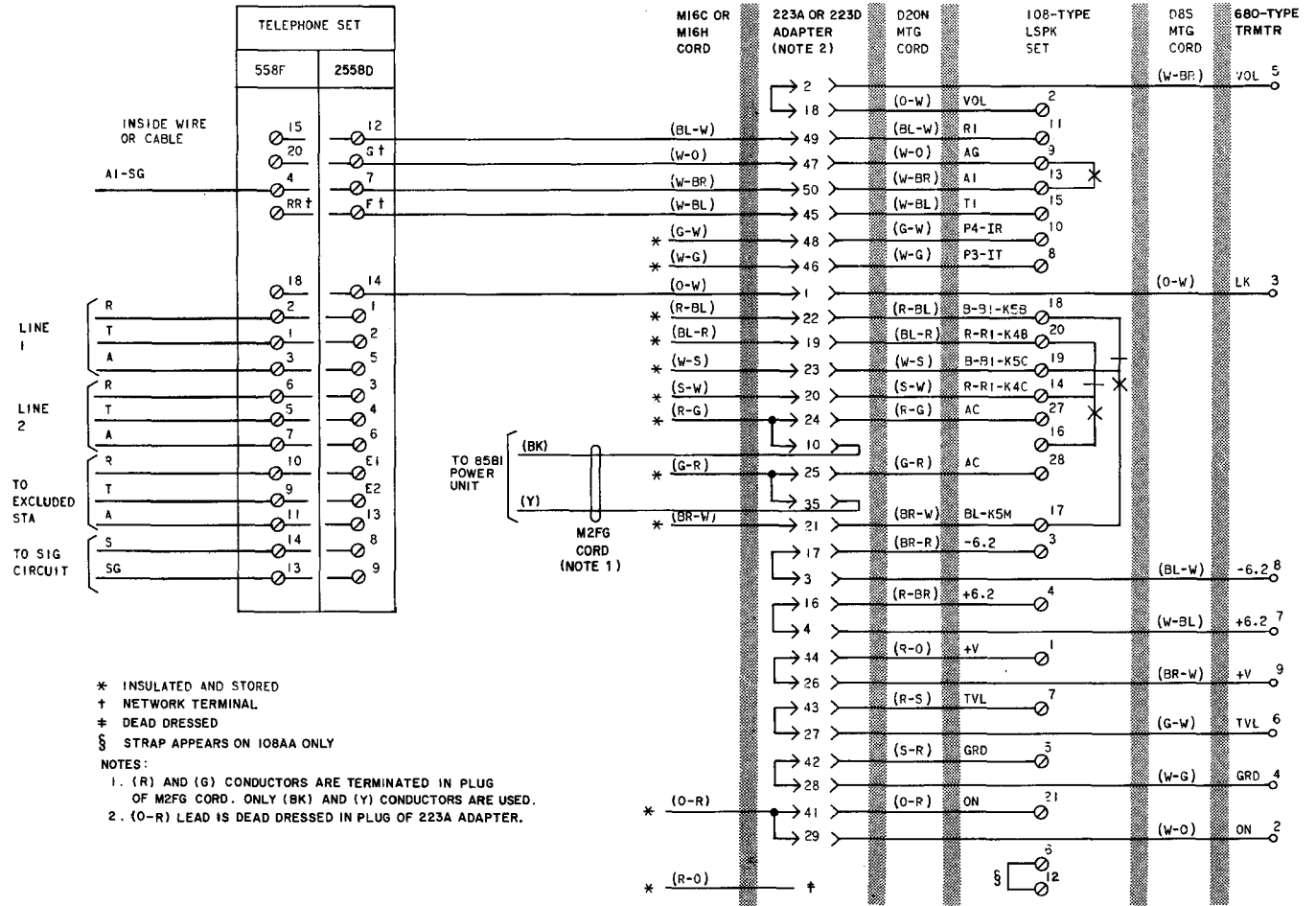


Fig. 4—Typical Grandfathered 4A Speakerphone System Arrangement, Connections to 558F and 2558D Telephone Sets

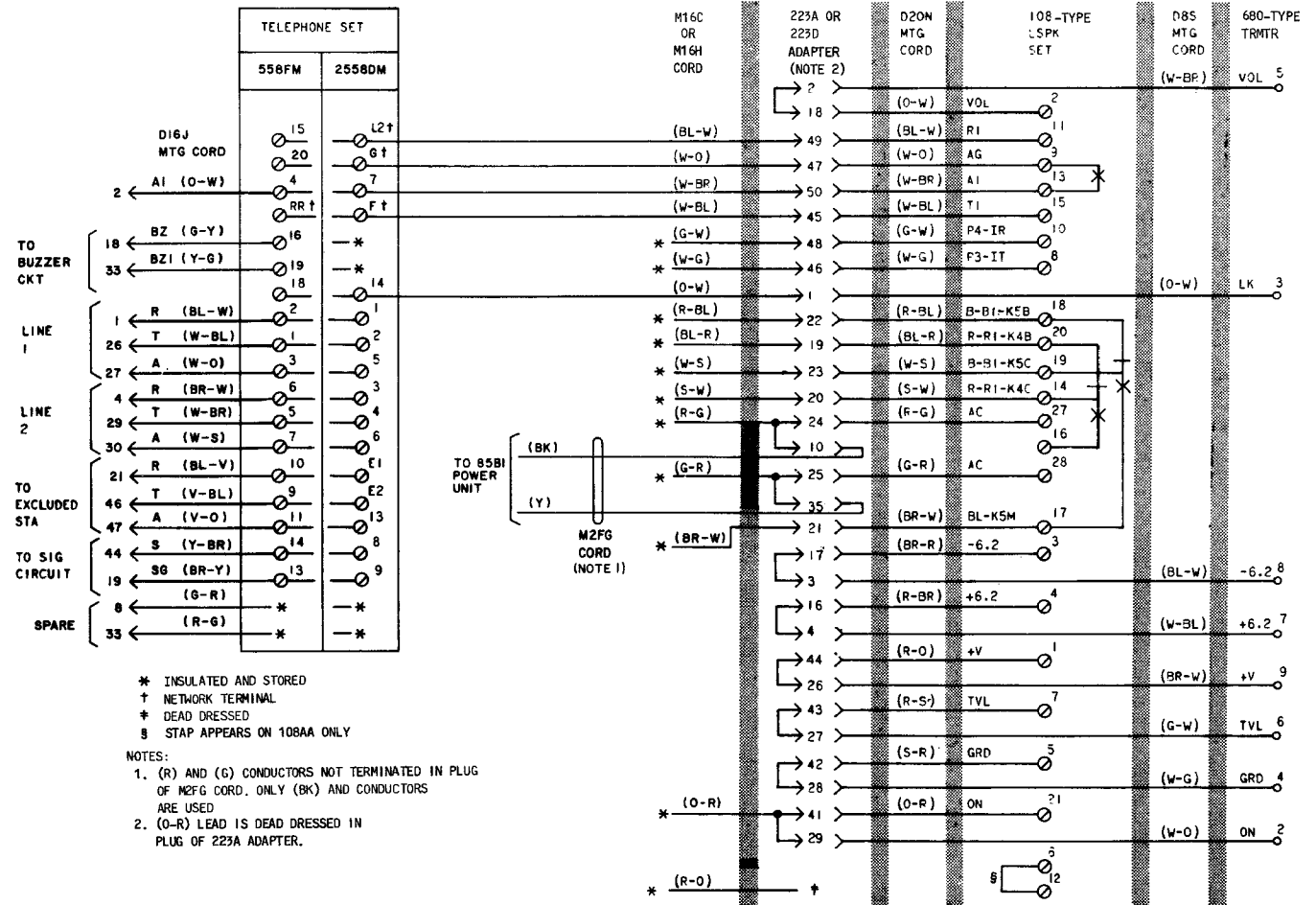


Fig. 5—Typical Grandfathered 4A Speakerphone System Arrangement, Connections to 558FM and 2558DM Telephone Sets

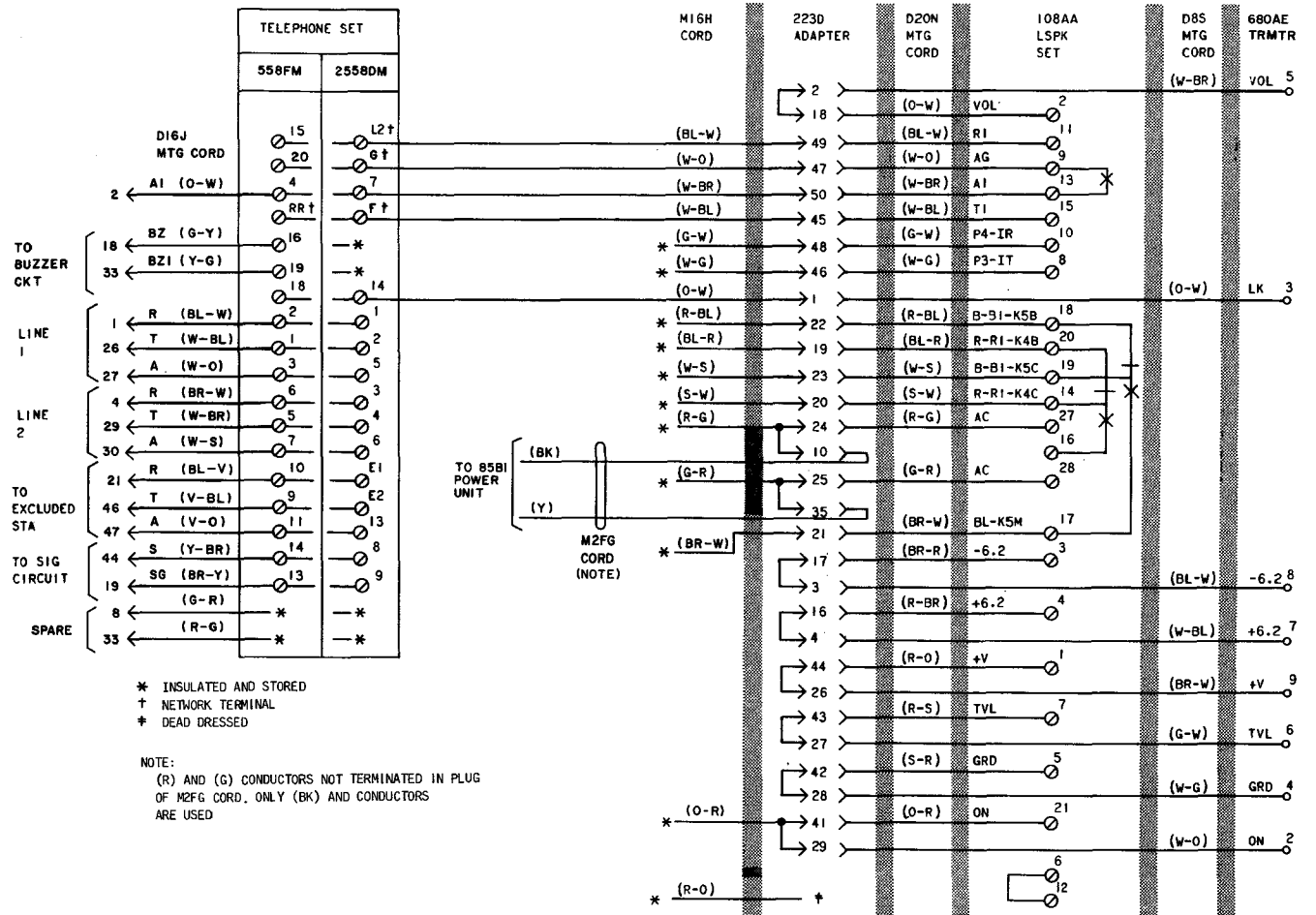


Fig. 6—Registered 4A Speakerphone System Arrangement, Connections to 558FM and 2558DM Telephone Sets