

SPEAKERPHONE SYSTEM—4A
500S, 500SM, 2500S, AND 2500SM TELEPHONE SETS
CONNECTIONS

1. GENERAL

1.01 Refer to Section 512-700-100 for detailed information on the components of the 4A speakerphone system.

1.02 This section is reissued to add connections for 500SM and 2500SM (modular) telephone sets.

1.03 To provide 4A speakerphone feature at the 500- and 2500-type telephone sets, refer to Fig. 1 or 2 for layout arrangement of the components required for the system and Fig. 2 through 6 for individual lead connections.

2. CONNECTIONS

223A Adapter

2.01 The cords from the 108-type loudspeaker set, 680-type transmitter, and 85B1 power unit are installed in the proper receptacle of the 223A adapter. The cover must be fastened securely to assure proper mating of connectors.

108-Type Loudspeaker Set

2.02 The loudspeaker set and transmitter must be placed a minimum of one foot apart.

680-Type Transmitter

2.03 The transmitter must be at least two feet from transformer or any AC powered device.

85B1 Power Unit

2.04 Power can be supplied by connecting 85B1 power unit as shown in Fig. 1 through 6.

2.05 Use an AC power outlet (not under control of a switch) located as close as possible to the system being installed. A 841050818 retaining clamp will be shipped with the 85B1 power unit and should be mounted to the AC receptacle to hold power unit securely.

Caution: Do Not Ground Power Unit

2.06 The M2FG cord is furnished as part of the 223A adapter for connecting the 85B1 power unit.

2.07 The 85B1 power unit should be located less than 125 feet from 108-type loudspeaker set when using 24 gauge wire. Refer to Section 512-700-100 for detailed information on power supply applications.

NOTICE

Not for use or disclosure outside the
Bell System except under written agreement

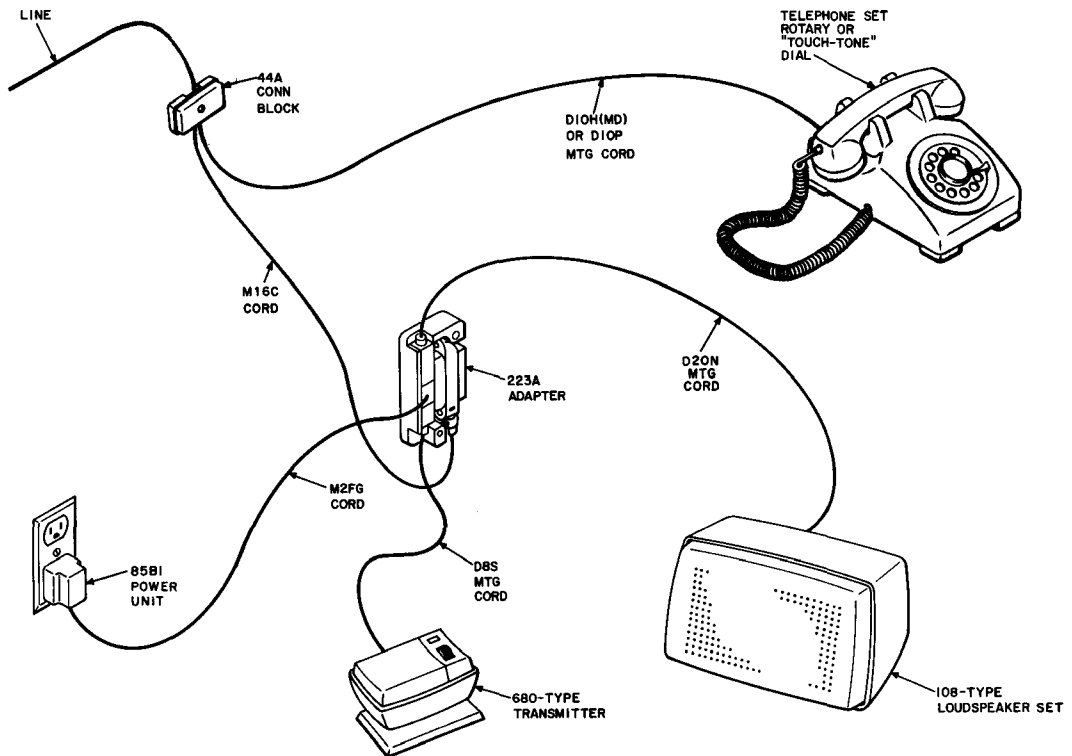


Fig. 1—Speakerphone Arrangement, 500S or 2500S Telephone Set

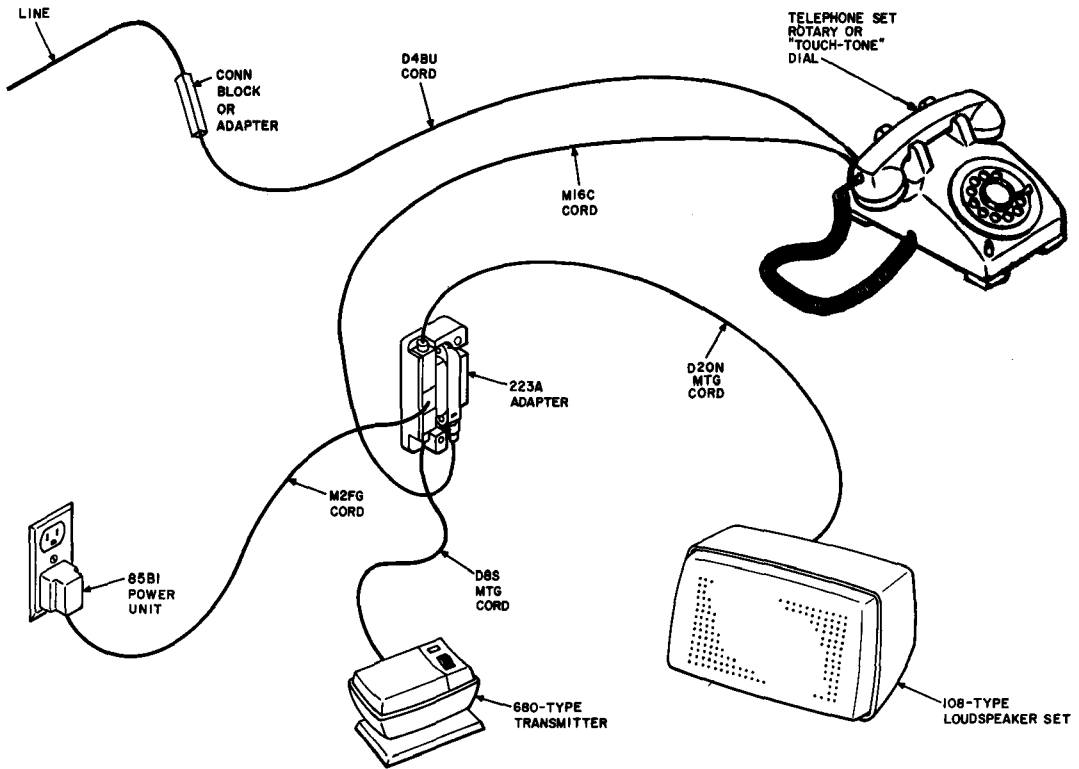


Fig. 2—Speakerphone Arrangement, 500SM or 2500SM Telephone Set

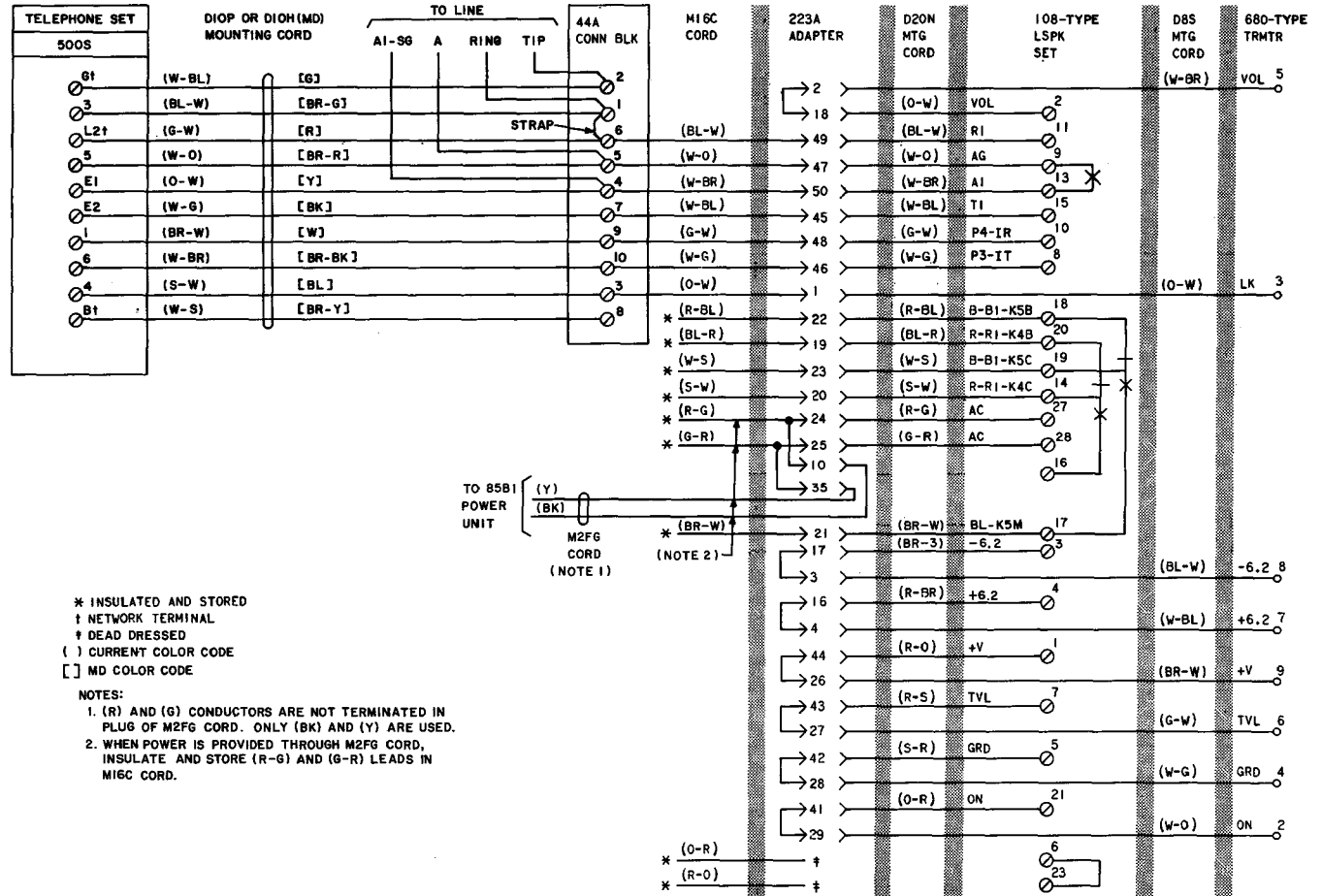


Fig. 3—500S Telephone Set, Connections to 4A Speakerphone

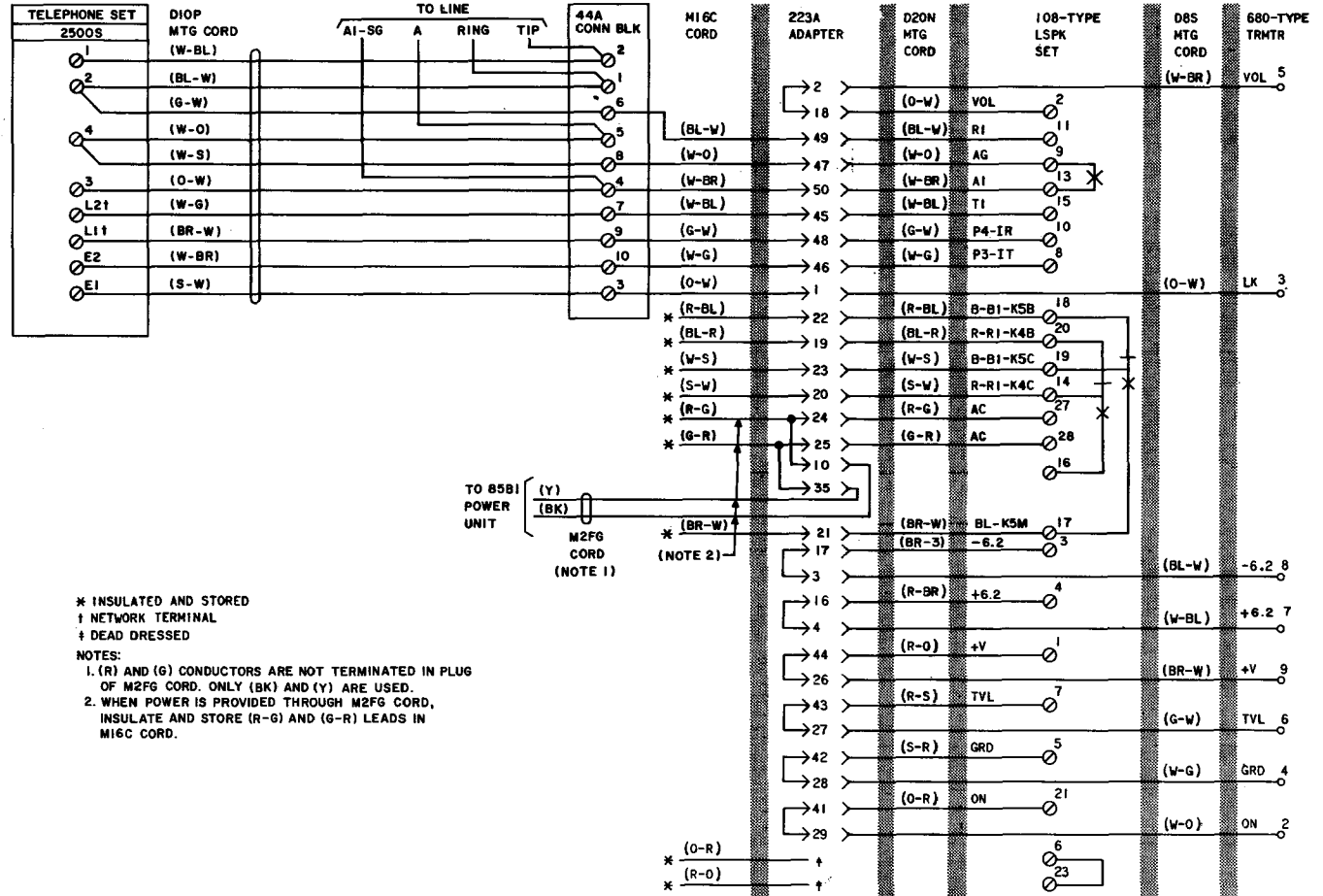


Fig. 4—2500S Telephone Set, Connections to 4A Speakerphone

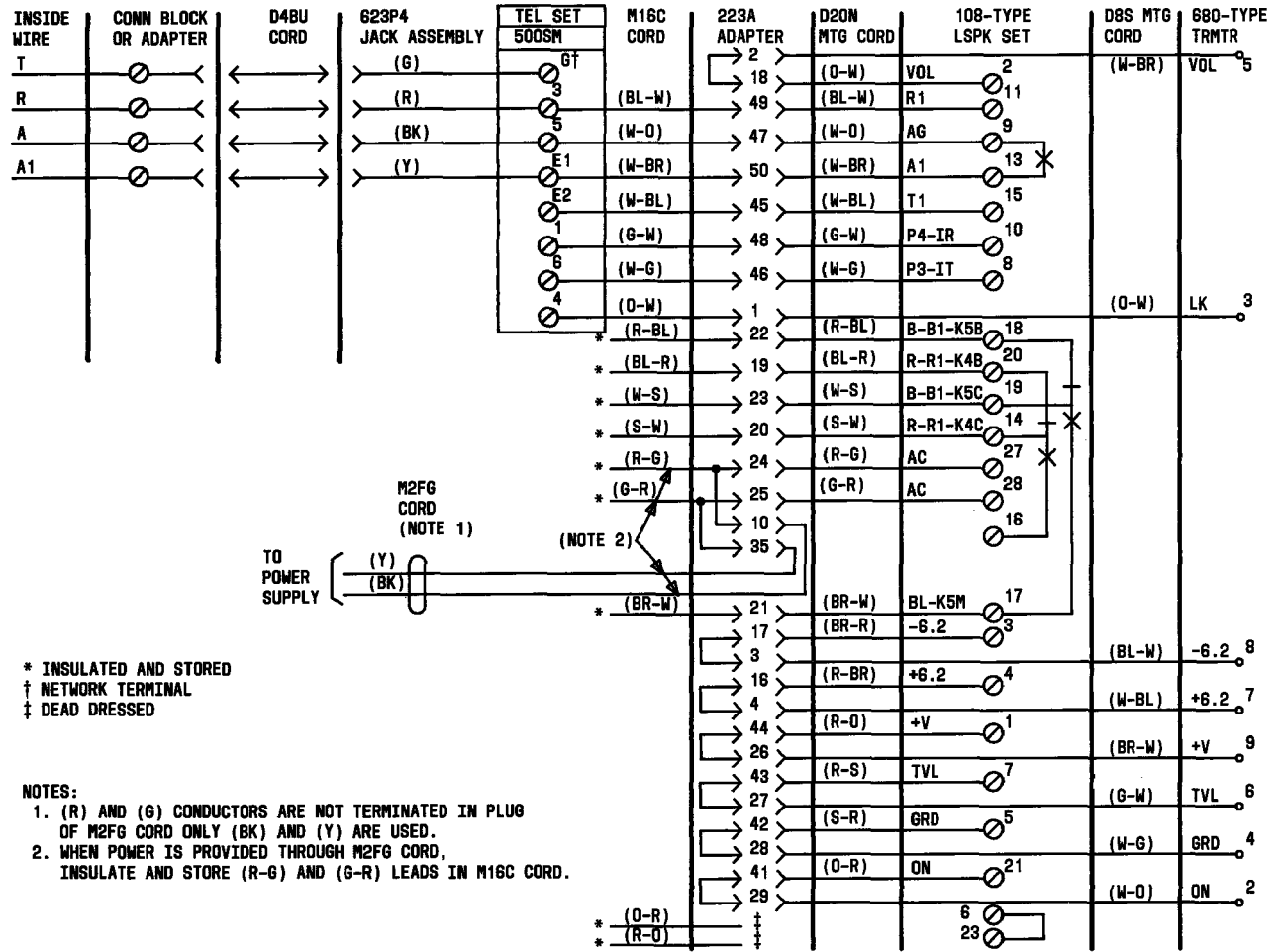


Fig. 5—500SM Telephone Set, Connections to 4A Speakerphone

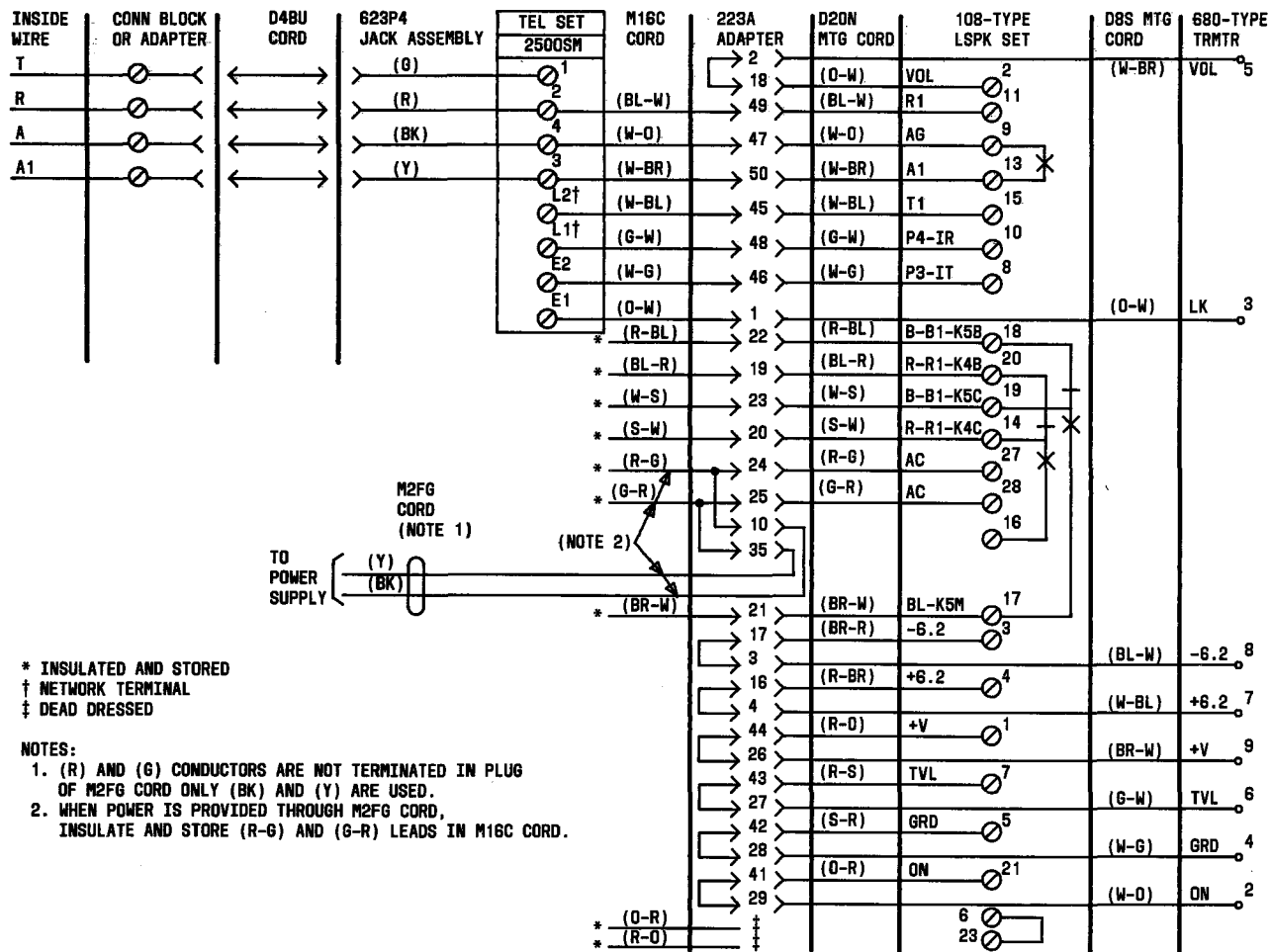


Fig. 6—2500SM Telephone Set Connections to 4A Speakerphone†