

INTERPHONE SYSTEM—1A HOME
2558D TELEPHONE SET
CONNECTIONS AND MAINTENANCE

1. GENERAL

1.01 This section is reissued to add note 2, Fig. 1: j-k line switch contacts and associated leads are removed from current production sets.

2. CONNECTION INDEX

Table A—Wiring Changes to Provide 1A Home Interphone

Fig. 1—2558D Telephone Set Connections, 1-Line Pickup, Hold, and 1A Home Interphone

Fig. 2—2558D Telephone Set Connections to 1A Home Interphone

TABLE A
WIRING CHANGES TO PROVIDE 1A HOME INTERPHONE

EXCLUSION KEY			LINE SWITCH			INSTALL 664D TRANSMITTER		
LEAD	FROM	TO	LEAD	FROM	TO	LEAD	FROM	TO
BK	2	*	S	14	L1	R		13
W	E2	2				S		L1
BR	E1	1				W		14
Y	E1	*				Bracket		14
BL	1	*						
S	13	*						
O	5	*						

* Insulate and store.

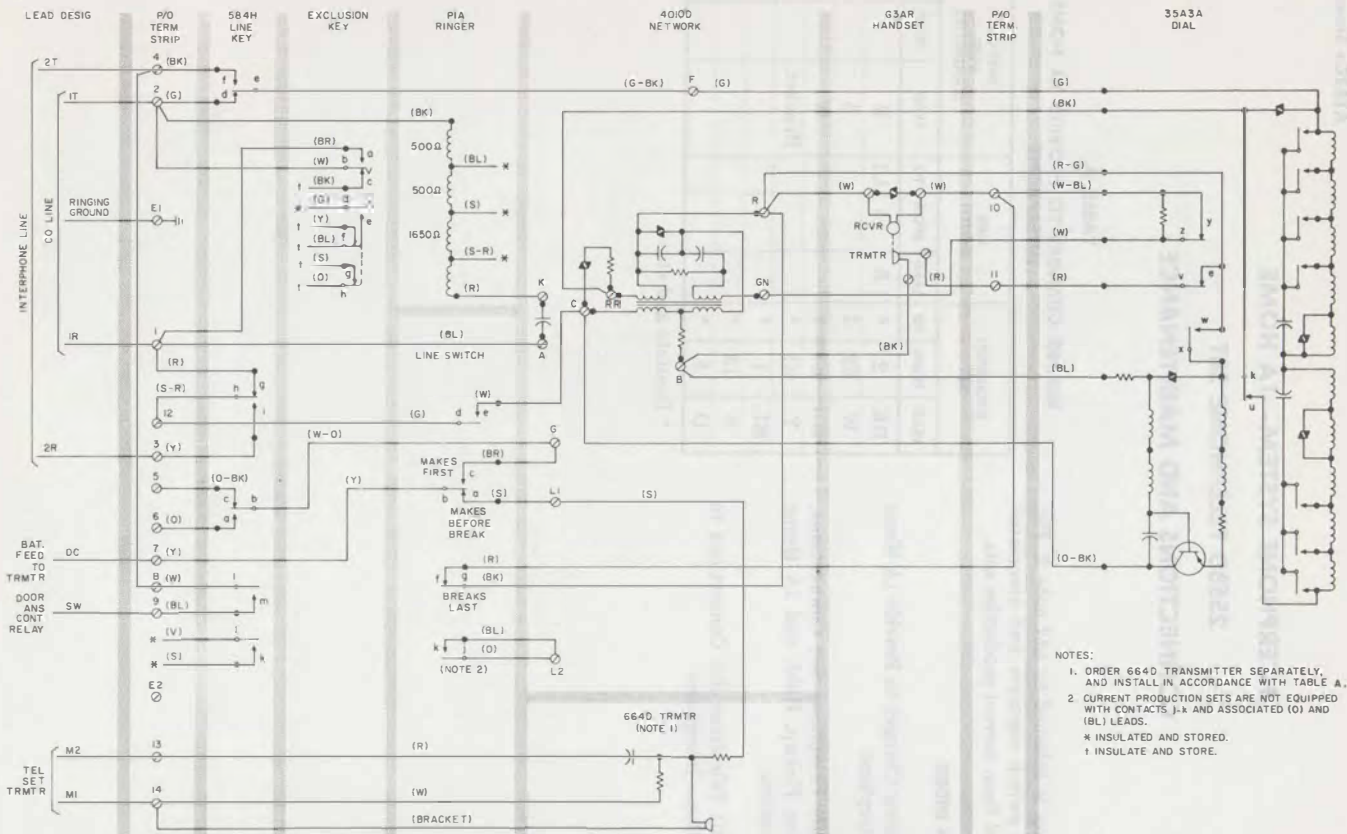


Fig. 1—2558D Telephone Set Connections, 1-Line Pickup, Hold, and 1A Home Interphone

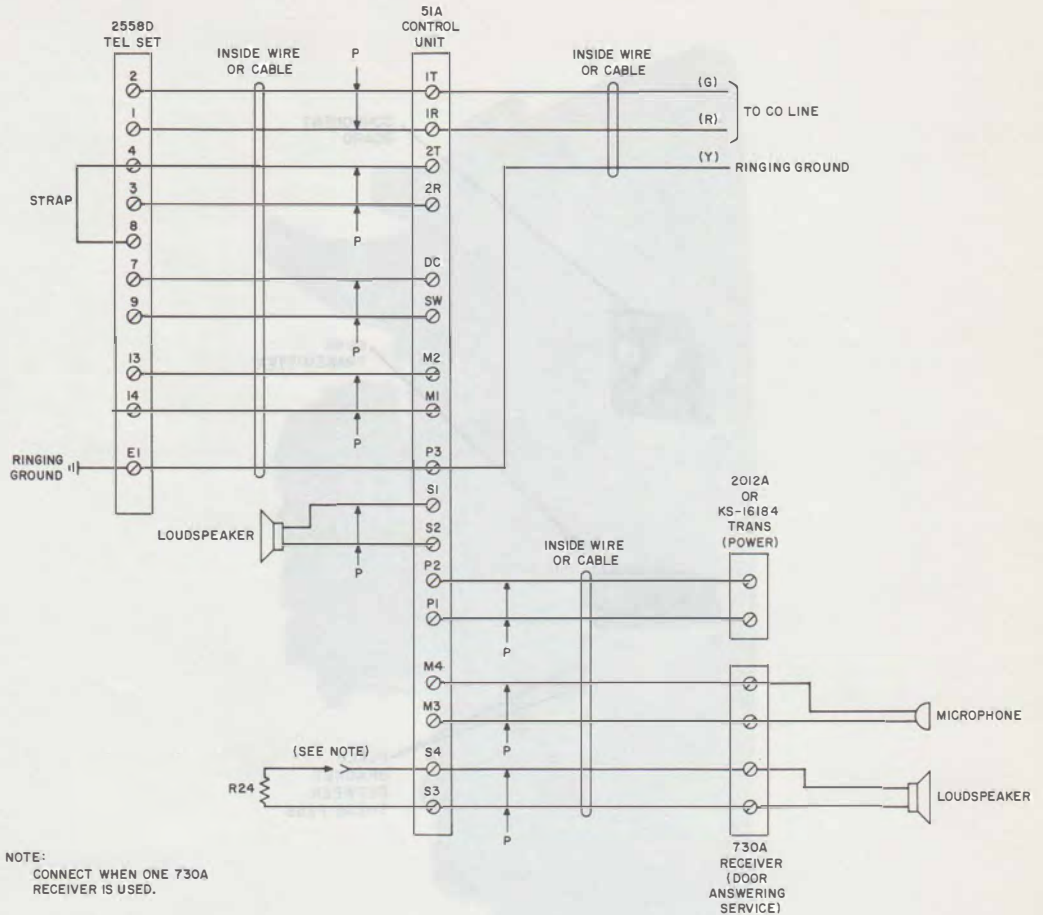


Fig. 2—2558D Telephone Set Connections To 1A Home Interphone

3. MAINTENANCE

- (a) Refer to Division 502 for maintenance of the 2558D telephone set and appropriate sections for individual components such as handset and dial.
- (b) Refer to Division 512 for maintenance of 1A home interphone system.

- (c) Maintenance of the home interphone components of these sets (Fig. 3) consists only of replacement of defective components.
- (d) The 664D transmitter must be ordered separately and installed in accordance with Table A.

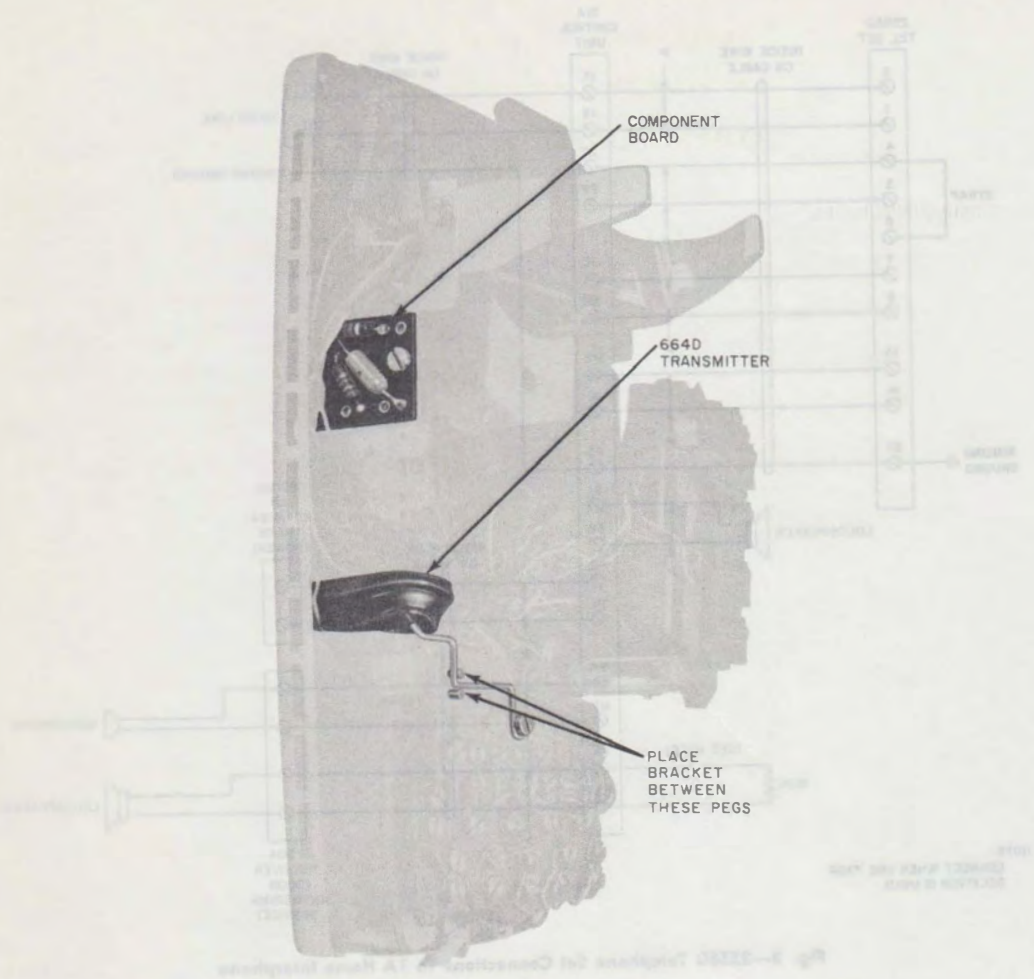


Fig. 3—2558D Telephone Set 1A Home Interphone Components Installed