

INTERPHONE SYSTEM—1A HOME

751-TYPE TELEPHONE SETS

CONNECTIONS AND MAINTENANCE

1. GENERAL

1.01 A 761A loudspeaker and 664B transmitter must be ordered and installed separately (Fig. 1) for operation with the 1A home interphone system.

1.02 This section is reissued to:

- Change section reference in 3.01
- Change dial pulse lead colors, Fig. 2, 3, and 4

2. CONNECTION INDEX

Table A—751A (MD) and 751B (MD) Telephone Sets, Conversion for 1A Home Interphone

Table B—751C and 751D Telephone Sets, Conversion for 1A Home Interphone

Table C—751C and 751D Telephone Sets, Conversion for 1A Home Interphone,

Secretarial Service, and Hold (Nonkey System)

Fig. 2—751A (MD) and 751B (MD) Telephone Sets, Wired for 1A Home Interphone

Fig. 3—751C and 751D Telephone Sets, Wired for 1A Home Interphone

Fig. 4—751C and 751D Telephone Sets, Wired for 1A Home Interphone, Secretarial Service, and Hold (Nonkey System)

Fig. 5—751-Type Telephone Set, Connections to 1A Home Interphone System

3. MAINTENANCE

3.01 Refer to Division 502 for maintenance information for the 751-type telephone sets. Refer to Division 512 for home interphone system requirements and maintenance information.

3.02 Maintenance of the home interphone components of these sets (Fig. 1) is limited to replacement of defective units.

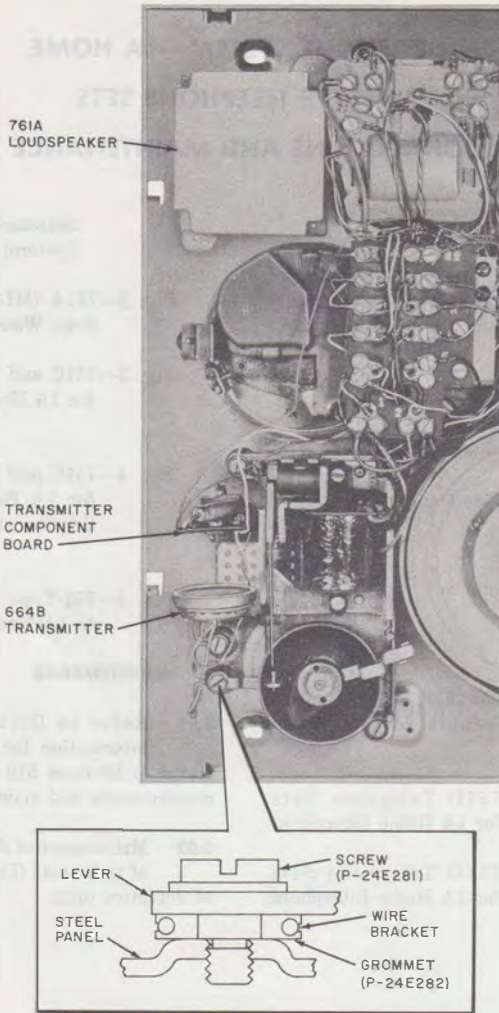


Fig. 1—Home Interphone Components Installed in 751-Type Telephone Set

TABLE A
751A (MD) AND 751B (MD) TELEPHONE SETS
CONVERSION FOR 1A HOME INTERPHONE

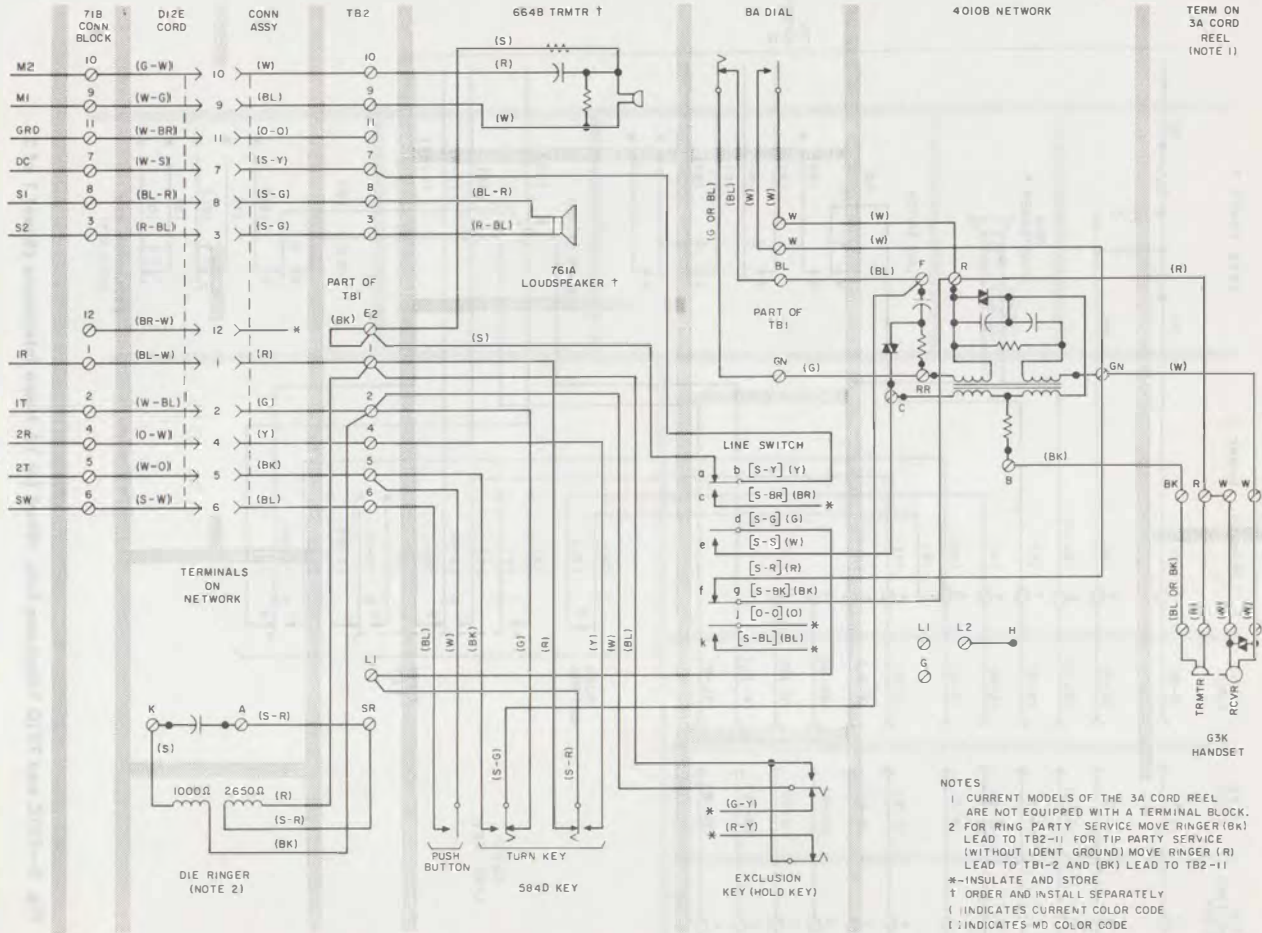
APPARATUS	LEAD	REMOVE FROM TERMINAL		CONNECT TO TERMINAL		INSULATE AND STORE
		TB1	TB3	TB1	TB3	
Exclusion Key	(W)		10	2		
	(BL)		9	1		
	(G-Y)	2				
	(R-Y)	1				
Line Switch	(O) or [O-O]		11			
664B Transmitter	(R)				10	
	(W)				9	
	(S)			E2		
761 Loudspeaker	(BL-R)				8	
	(R-BL)				3	

() — Current color code

[] — MD color code

TABLE B
751C AND 751D TELEPHONE SETS
CONVERSION FOR 1A HOME INTERPHONE

APPARATUS	LEAD	REMOVE FROM TERMINAL			CONNECT TO TERMINAL			INSULATE AND STORE
		TB1	TB2	NET.	TB1	TB2	NET.	
Line Switch	(S)						L1	
	(Y)		11			7		
	(BR)			G				•
	(G)			L2			G	
584G Line Key	(O)		6					•
	(W-O)			G				•
	(O-BK)		3					•
	(W)		11			5		
	(BL)		7			6		
	(S-R)			L2			G	
	(BR)			9		1		
Exclusion Key	(W)		10		2			
	(BK)	2						•
	(Y)	1						•
	(BL)		9					•
	(S)		3					•
	(O)		8					•
Strap	(S-R)			L1			L2	
Ringer	(S-R)			L1			L2	
664B Transmitter	(S)						L1	
	(R)					10		
	(W)					9		
761A Loudspeaker	(BL-R)					8		
	(R-BL)					3		



- NOTES**
- CURRENT MODELS OF THE 3A CORD REEL ARE NOT EQUIPPED WITH A TERMINAL BLOCK.
 - FOR RING PARTY SERVICE MOVE RINGER (BK) LEAD TO TB2-11 FOR TIP PARTY SERVICE (WITHOUT IDENT GROUND) MOVE RINGER (R) LEAD TO TB1-2 AND (BK) LEAD TO TB2-11
- *-INSULATE AND STORE
 † ORDER AND INSTALL SEPARATELY
 (INDICATES CURRENT COLOR CODE
 † INDICATES WD COLOR CODE

Fig. 2—751A (MD) and 751B (MD) Telephone Sets, Wired for 1A Home Interphone

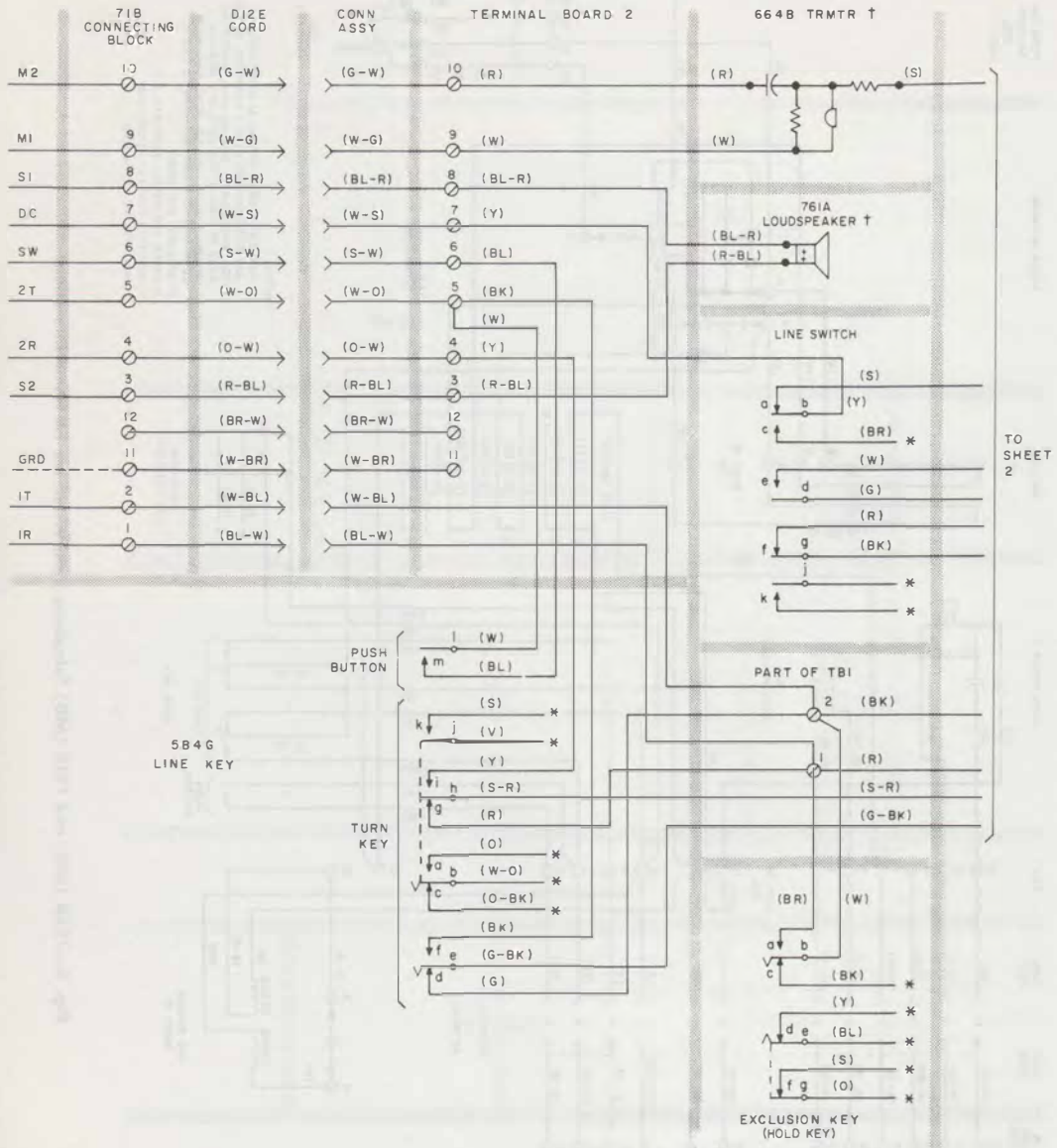


Fig. 3—751C and 751D Telephone Sets, Wired for 1A Home Interphone (Sheet 1 of 2)

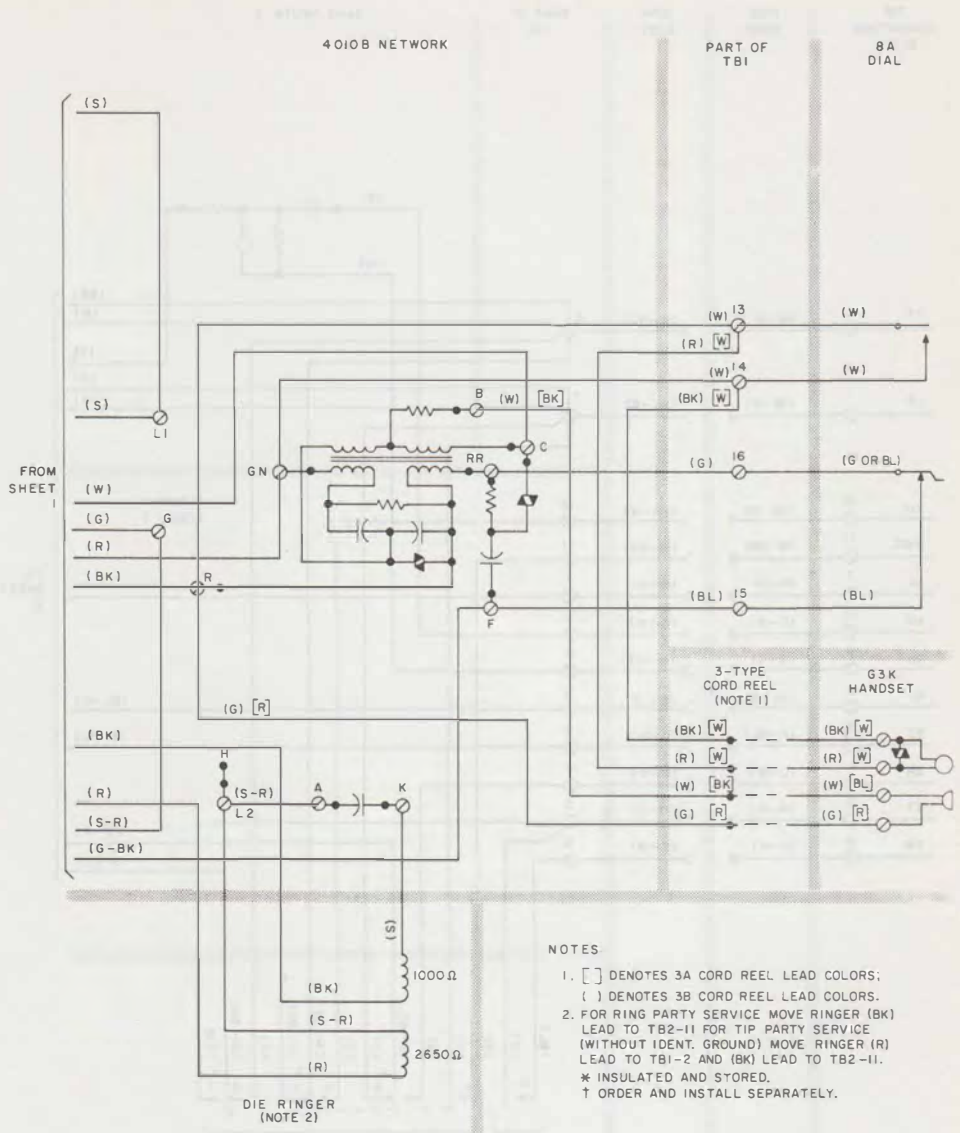
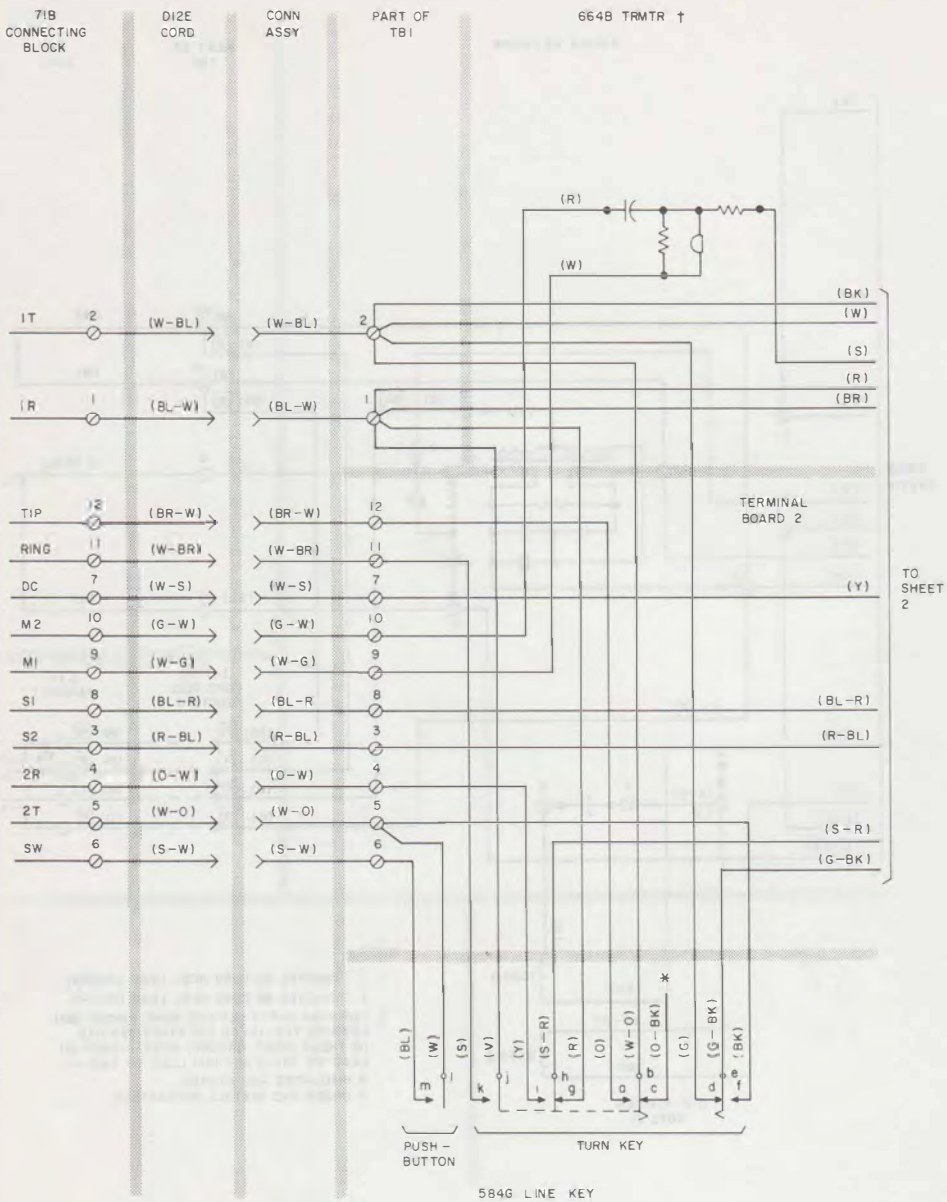


Fig. 3—751C and 751D Telephone Sets, Wired for 1A Home Interphone (Sheet 2 of 2)



TO SHEET 2

Fig. 4—751C and 751D Telephone Sets, Wired for 1A Home Interphone, Secretarial Service and Hold (Nonkey System) (Sheet 1 of 2)

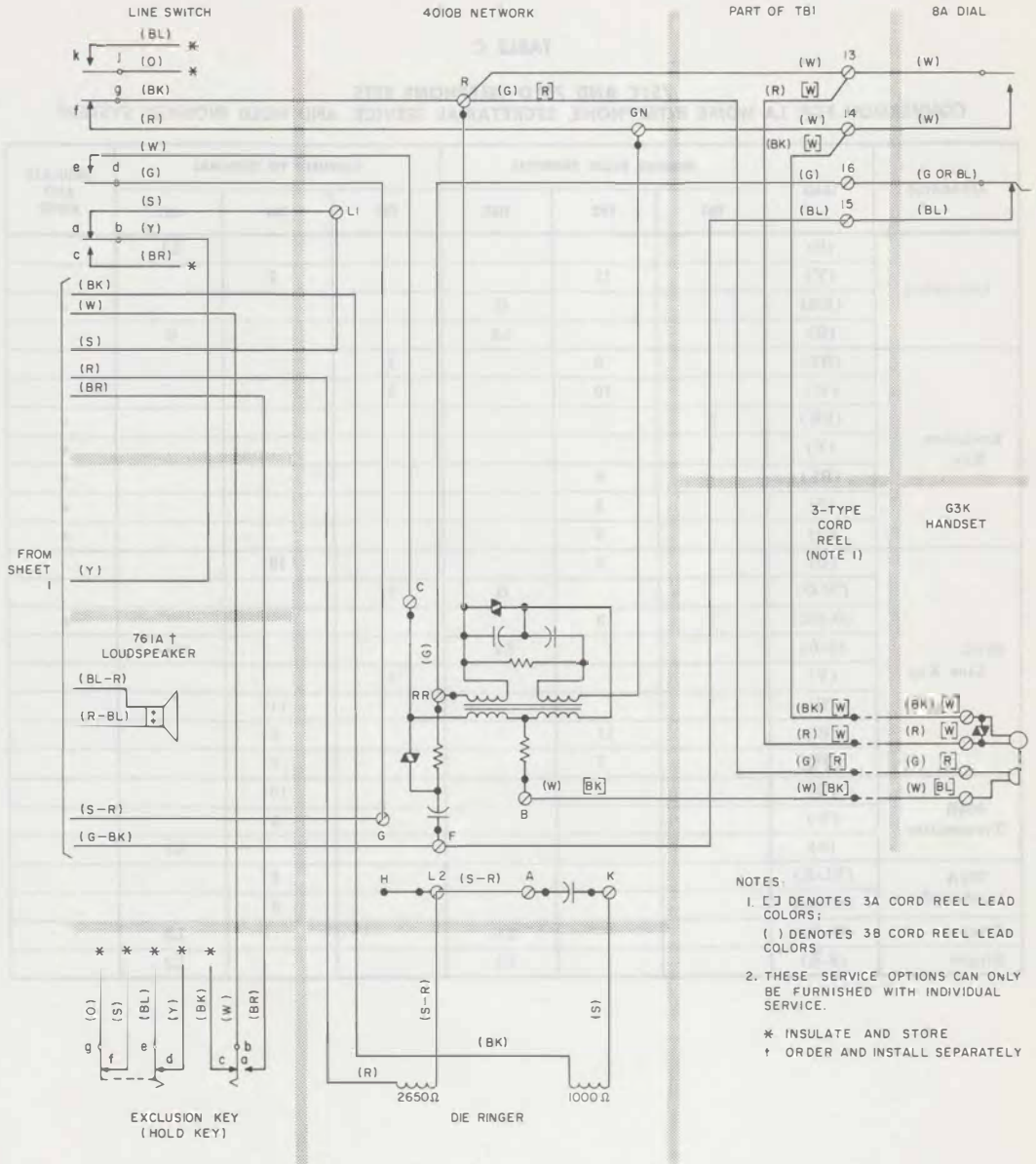
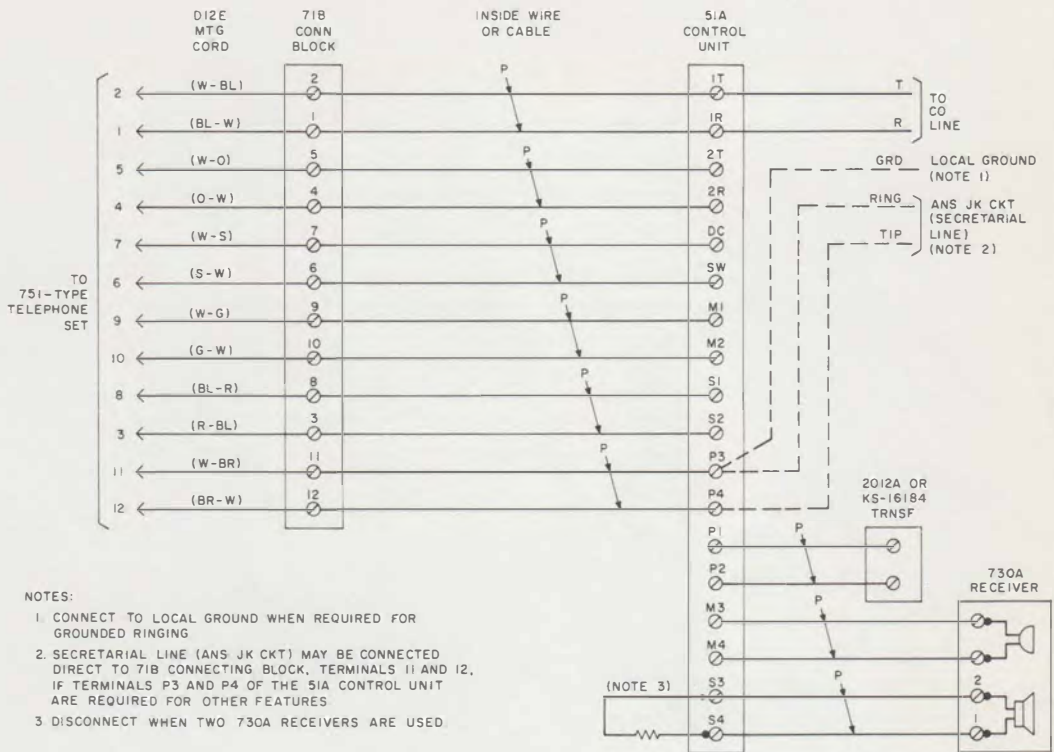


Fig. 4—751C and 751D Telephone Sets, Wired for 1A Home Interphone, Secretarial Service and Hold (Nonkey System) (Sheet 2 of 2)

TABLE C

**751C AND 751D TELEPHONE SETS
CONVERSION FOR 1A HOME INTERPHONE, SECRETARIAL SERVICE, AND HOLD (NONKEY SYSTEM)**

APPARATUS	LEAD	REMOVE FROM TERMINAL			CONNECT TO TERMINAL			INSULATE AND STORE
		TB1	TB2	NET.	TB1	TB2	NET.	
Line Switch	(S)						L1	
	(Y)		11			7		
	(BR)			G				•
	(G)			L2			G	
Exclusion Key	(BR)		9		1			
	(W)		10		2			
	(BK)	2						•
	(Y)	1						•
	(BL)		9					•
	(S)		3					•
	(O)		8					•
584G Line Key	(O)		6			12		
	(W-O)			G	2			
	(O-BK)		3					•
	(S-R)			L2			G	
	(V)				1			
	(S)					11		
	(W)		11			5		
664B Transmitter	(R)					10		
	(W)					9		
	(S)						L1	
761A Loudspeaker	(BL-R)					8		
	(R-BL)					3		
Strap	(S-R)			L1			L2	
Ringer	(S-R)			L1			L2	



NOTES:

- CONNECT TO LOCAL GROUND WHEN REQUIRED FOR GROUNDED RINGING
- SECRETARIAL LINE (ANS JK CKT) MAY BE CONNECTED DIRECT TO 71B CONNECTING BLOCK, TERMINALS 11 AND 12, IF TERMINALS P3 AND P4 OF THE 51A CONTROL UNIT ARE REQUIRED FOR OTHER FEATURES
- DISCONNECT WHEN TWO 730A RECEIVERS ARE USED

Fig. 5—751-Type Telephone Set, Connections to 1A Home Interphone System