

SEPARATELY MOUNTED KEYS
6017, 6026, AND KS-21254 LEVER TYPES
IDENTIFICATION, INSTALLATION, AND CONNECTIONS

1. GENERAL

- (a) This section is reissued to include information on KS-21254 type keys.
- (b) Connection information consists of a schematic of the keys involved. For connection to these keys, refer to the system in which they are used.

2. IDENTIFICATION

- (a) **Purpose:** these keys are referred to as lever type and are used to perform general switching functions in station systems.
- (b) **Ordering Guide:**

KEY	PRINCIPLE USE
6017A	Station Switching
6017B	2-Line Pickup
6017C	Station Ringing Key
6017D	4-Wire Private Line Systems
6017E	3-Line Pickup
6017G	Switching Key Used in No. 750A or 755A PBX
6017H	Signal Control — 2-Wire Line — Station and Control Circuit
6017J	Line Cutoff in 1A and 1A1 Key Telephone Systems
6017K	5A Key Equipment With 100-Type Loudspeaker
6017L	5B Key Equipment With 100-Type Loudspeaker
6017M } 6017P }	Loudspeaker and Paging Systems
6017R	750A or 755A PBX Control

6017S } 6017T } 6017U } 6017W* }	2A Key Telephone Systems
6017Y } 6017AA }	1A Key Private Line Circuit Station Signal — Key Equipment 102A
6017AB } 6017AC } 6017AK } 6017AL† }	General
6017AM } 6017AN }	5A Key Equipment 5B Key Equipment Data Application — 4-Wire Line — Equipped with 14A guard-stamped LINE and TEST at front and rear lever positions, respectively.
6017AP } 6017AR }	4A Key Equipment (without hold, may be used with 1A Key Telephone System)
6026A*	4A Key Equipment with Hold 4-Wire Private Line Termination
6026B } 6026C }	4A Key Equipment (without hold, may be used with 1A or 1A1 Key Telephone System)

* Manufacture Discontinued.

† Contacts must be wired to terminal as required. See Fig. 3.

Note: All 6017- and 6026-type keys are furnished with a black handle but are available with red or white handle when specified on order.

KS-21254,L1S Replaces 6017A key, DPDT (Bat position) top ON, center OFF, and bottom ON

NOTICE

Not for use or disclosure outside the
Bell System except under written agreement

SECTION 512-210-101

- KS-21254,L2§ Replaces 6017B key, DPDT (Bat position) top ON, center NONE, and bottom ON
- KS-21254,L3§ Replaces 6017C key, DPDT (Bat position) top ON, center NONE, and bottom ON‡
- KS-21254,L4 Replaces 6017D, H, J 4PDT (Bat position) top ON, center NONE, and bottom ON

‡ Indicates a momentary or nonlocking position.

§ Use only terminals designated 2A, B, C and 4A, B, C.

Note: All KS-21254 type keys are available with the covers in the following colors by adding proper color suffix: Black (-03), Green (-51), White (-58), or Light Beige (-60). The base of all keys is a black plastic.♣

(c) Design Features:

6017-Type Key (Fig. 1)

- Consists of a key unit and terminal strip mounted in a black metal housing.
- Not equipped with a designation card holder. A 98A designation strip is available but must be ordered separately. Use a P-476882 designation card or make from good grade of paper approximately 9/16 by 5/16 inch.

6026-Type Key (Fig. 2)

- Consists of a key unit, jacks for a 52- or 53-type head telephone set, and a terminal strip mounted in a black metal housing.
- This type key is supplied with a designation card holder. Use a E1164 or E1165 (cut to size) designation card.

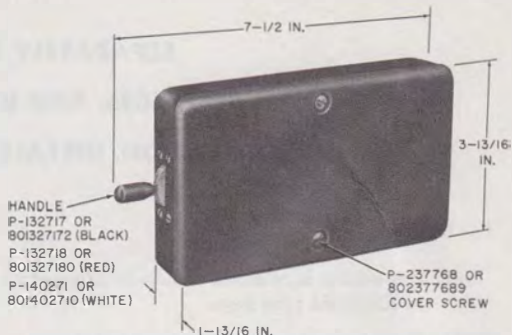


Fig. 1—6017-Type Keys

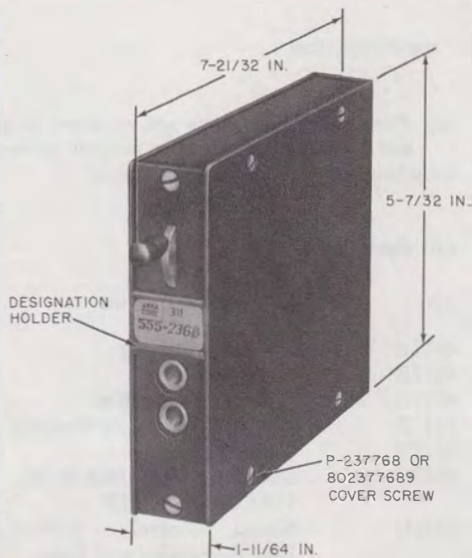


Fig. 2—6026-Type Keys

♣KS-21254 Key (Fig. 5, 6, 7, or 8)

- Consists of a toggle switch, flexible wiring strip with screw terminals for making electrical connections, and molded plastic cover held to base by serrated locking nut at front (Fig. 5) and snap fit at the rear.

- Electrical cord channel is provided with four teeth-like protrusions which acts as a cord stay to prevent cord from being dislodged (Fig. 6).
- Will mount on 77A mounting bracket (ordered separately) so key can be attached to baseplate of telephone set (Fig. 7 and 8).
- Key can be fastened to desk, wall, etc. by appropriate screws or fasteners not furnished with key.◆

3. INSTALLATION

- (a) Locate 6017- or 6026-type key where readily accessible to user and designation strip can be seen.
- (b) Face of key should be flush with edge of desk or table. Discourage knee well installations because of space limitations and possible accident hazards.
- (c) To limit number of holes in customer's furniture, key and associated equipment may be mounted on a common backboard.
- (d) Keys are furnished for right-hand mounting on desk or table. To mount 6017-type key on left side, remove screws holding key to box and invert key. For 6026-type key, reverse cover and back.
- (e) A 14A guard (ordered separately) is available to prevent accidental operation of 6017-type keys in special service applications. Mounting screws furnished with guard. To mount 14A guard:
 - (1) Unscrew key lever handle and remove.
 - (2) Remove four screws securing key to housing.
 - (3) Place guard over lever.
 - (4) Secure guard and key to housing with screws provided with guard.
 - (5) Replace key lever handle.
- (f) The 10A guard is another type designed to hold a 6017-type key in the operated or nonoperated position. The guard fits over the key lever and is held in either position by the lever handle being tightened against it. The lever handle must be unscrewed to change the lever position and then retightened. The 10A guard is used in special service applications and must be ordered separately.
- (g) ◆Locate the KS-21254 key where readily accessible by attaching to telephone set using 77A mounting bracket or fasten key to desk, wall, etc. Terminate electrical connections as required. A simplified schematic of the key is shown inside the key cover (Fig. 6).◆



Place leads between screwhead and washer. Do not place leads between flexible wiring strip and washer. For KS-21254, List 1, 2, and 3 keys, use only terminals 2A, B, C and 4A, B, C. The other terminals are not connected for these keys. For List 4 key, all terminals are connected.

4. CONNECTION INDEX

Fig. 3—6017-Type Lever Keys, Schematics

Fig. 4—6026-Type Lever Keys, Schematics

SECTION 512-210-101

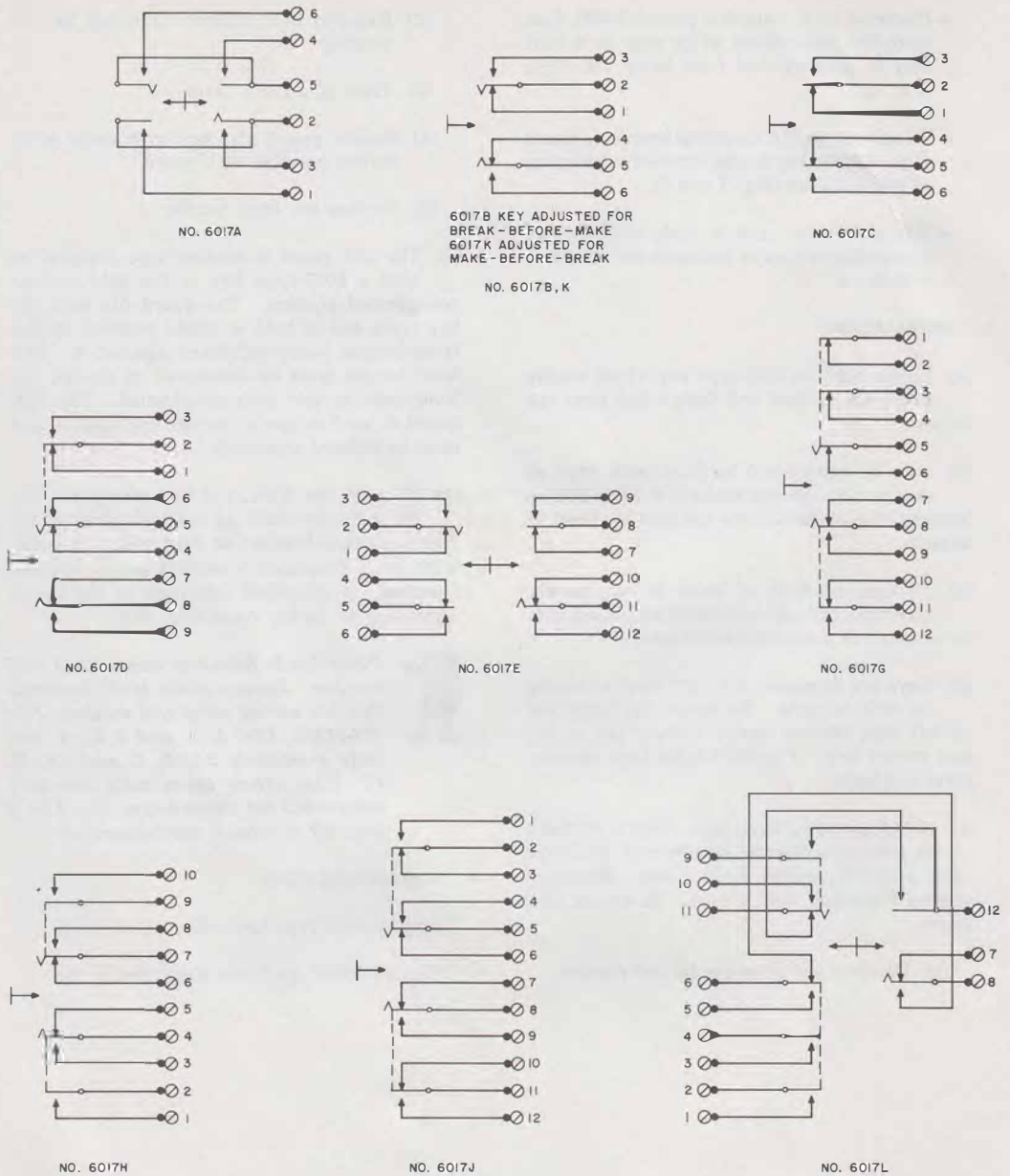


Fig. 3—6017-Type Lever Keys, Schematics (Sheet 1 of 4)

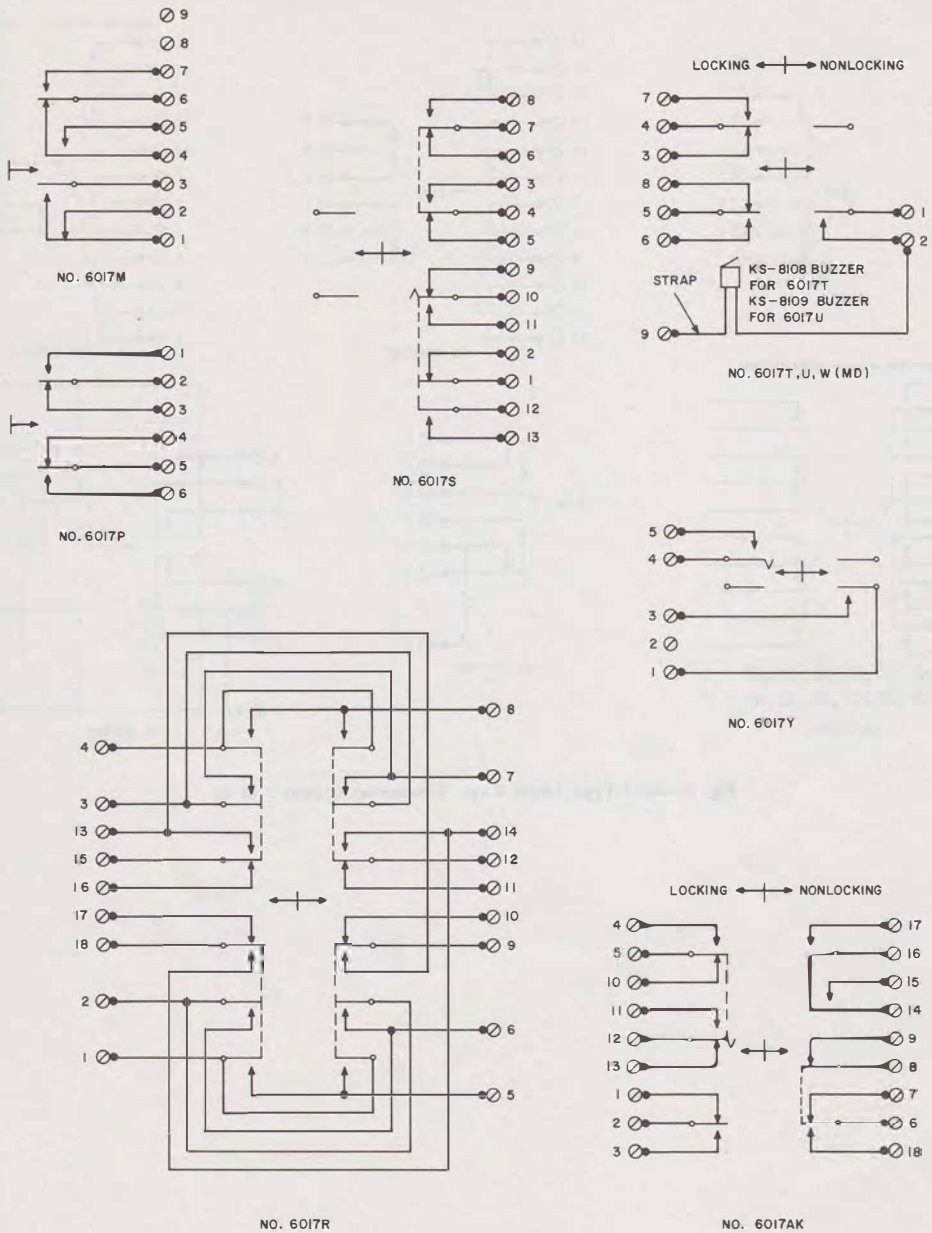


Fig. 3—6017-Type Lever Keys, Schematics (Sheet 2 of 4)

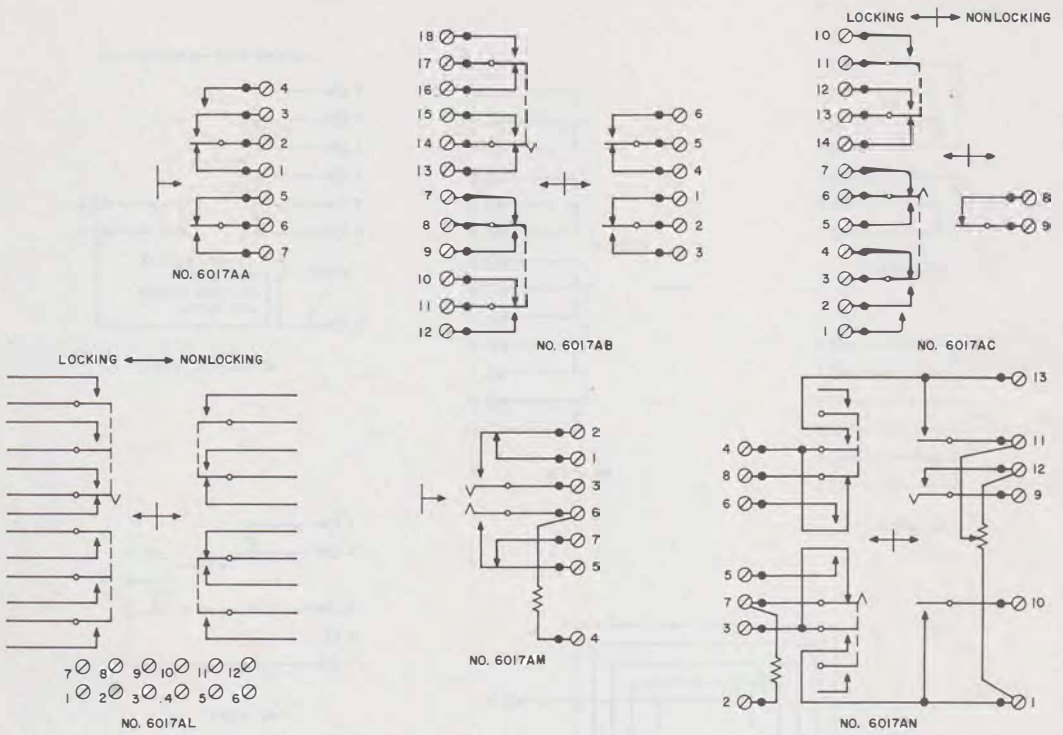


Fig. 3—6017-Type Lever Keys, Schematics (Sheet 3 of 4)

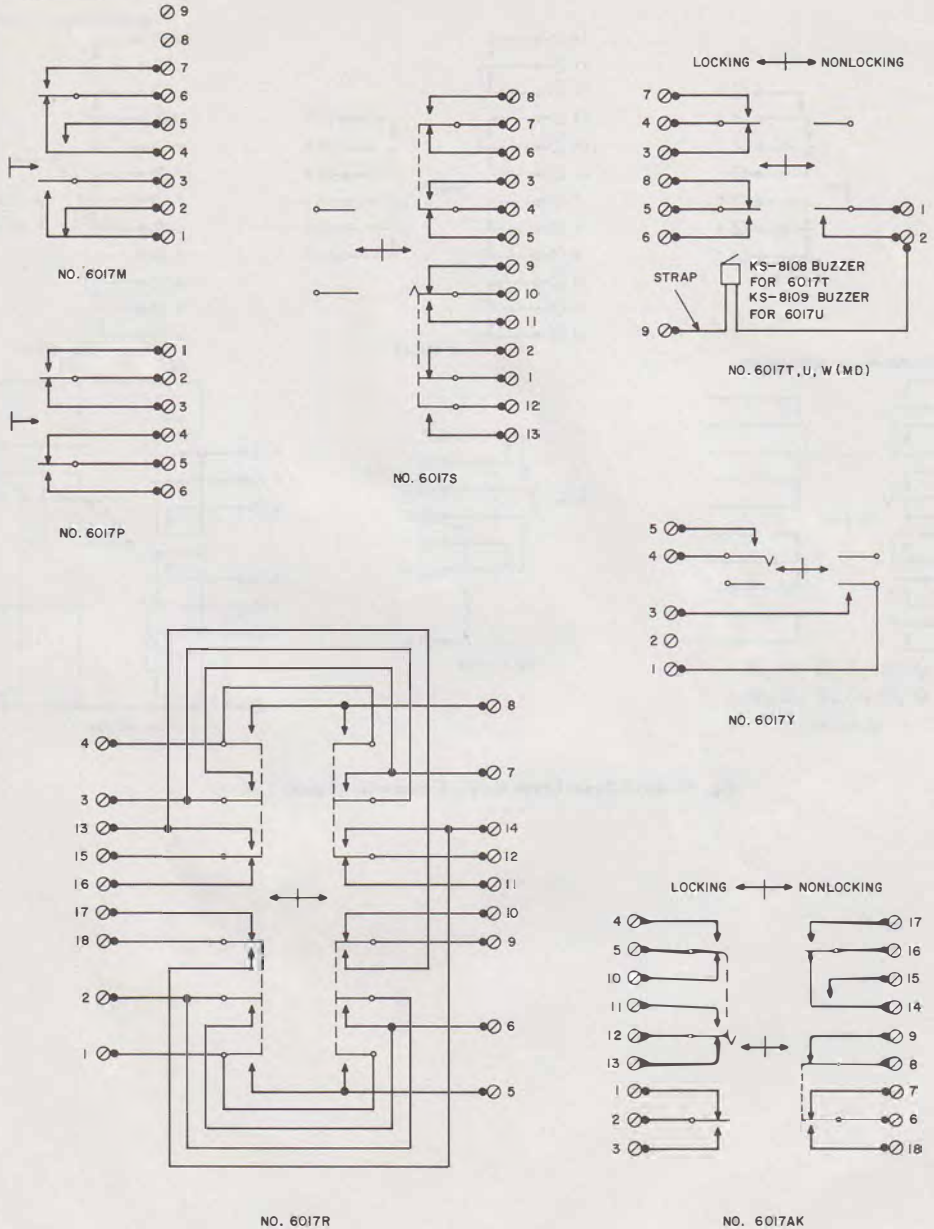


Fig. 3—6017-Type Lever Keys, Schematics (Sheet 2 of 4)

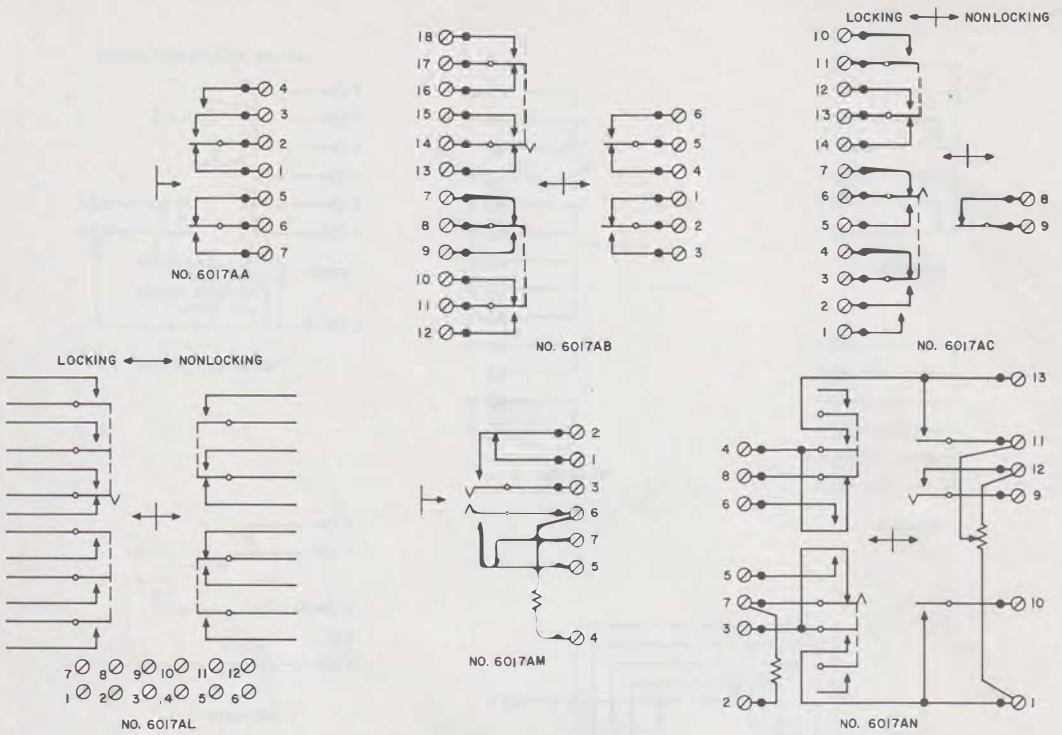


Fig. 3—6017-Type Lever Keys, Schematics (Sheet 3 of 4)

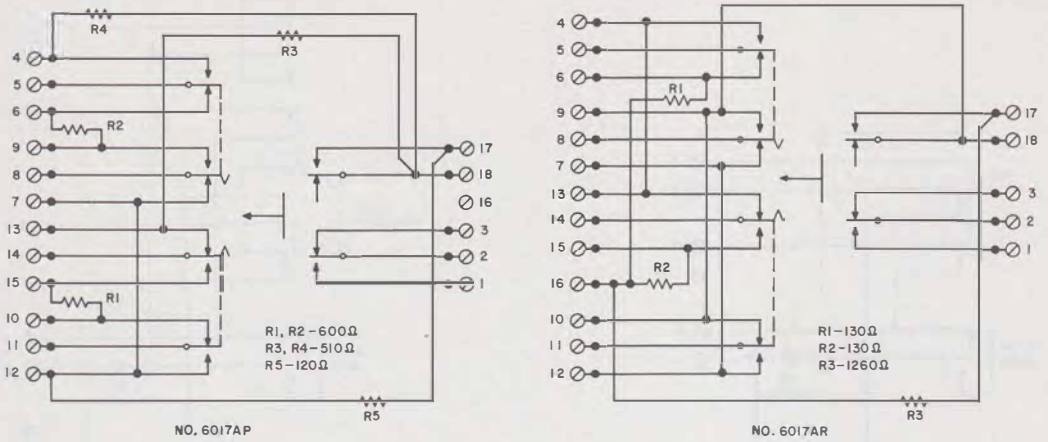


Fig. 3—6017-Type Lever Keys, Schematics (Sheet 4 of 4)

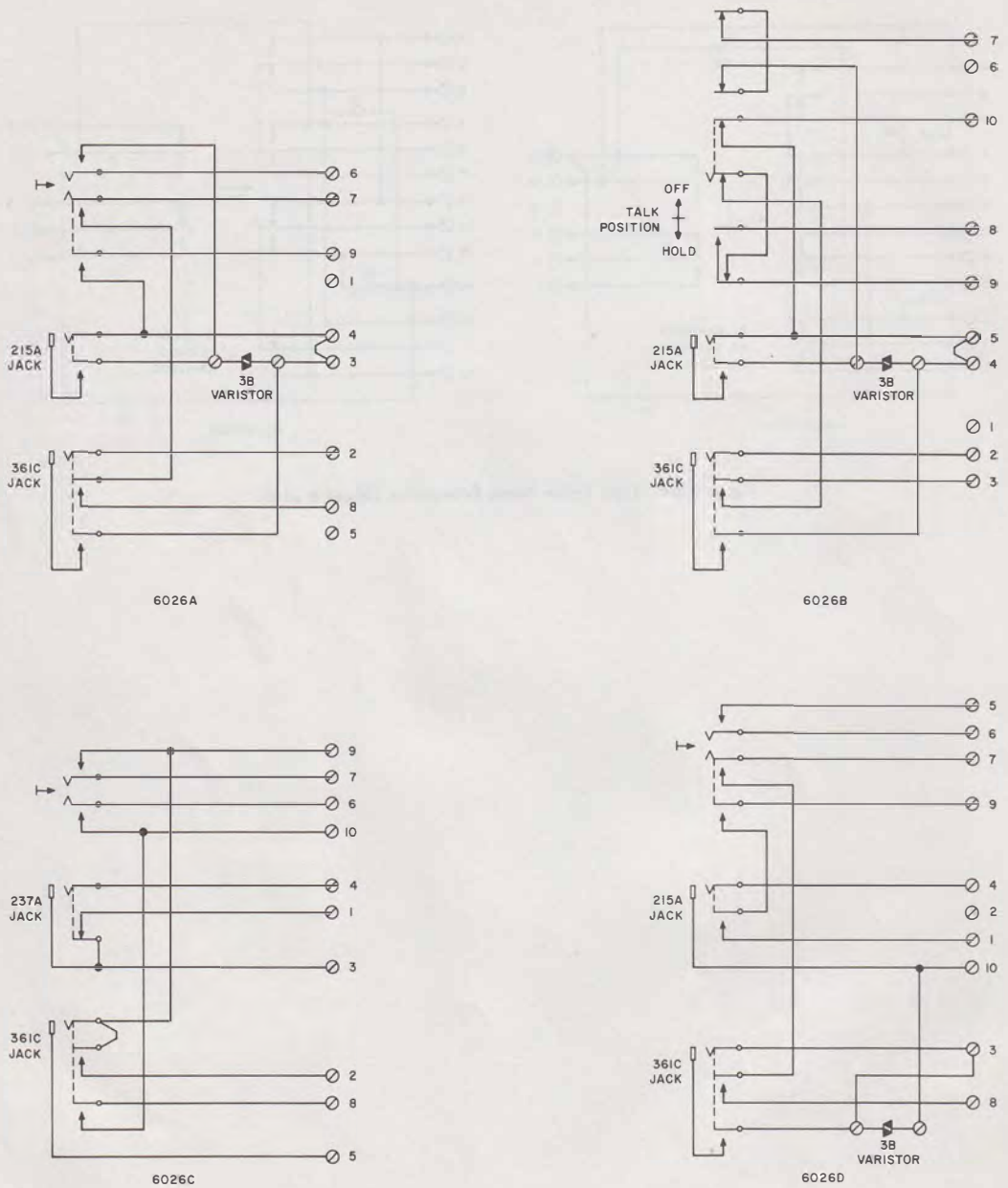


Fig. 4—6026-Type Lever Keys, Schematics

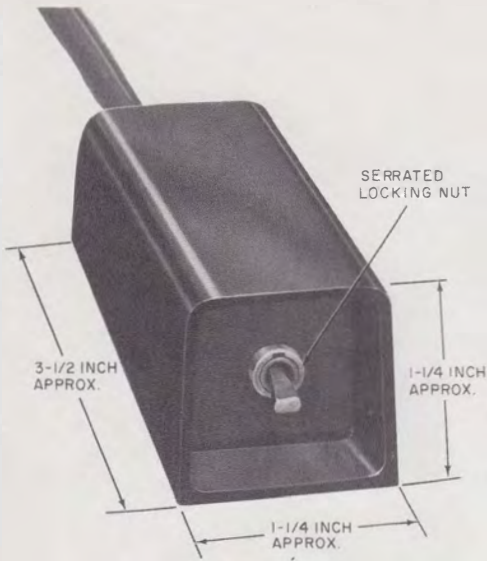


Fig. 5—KS-21254 Type Key



Fig. 7—KS-21254 Type Key Installed With 2500-Type Telephone Set Using 77A Mounting Bracket

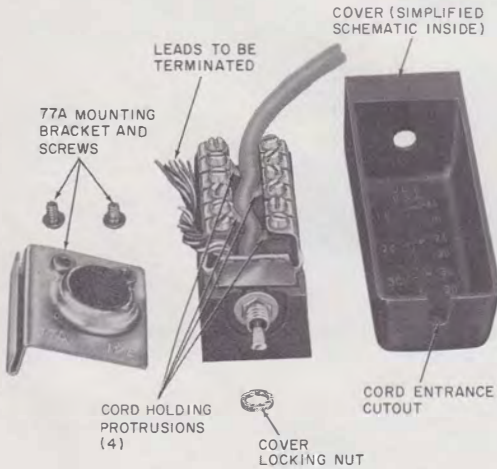


Fig. 6—KS-21254, List 4 Key, Cover Removed and 77A Mounting Bracket

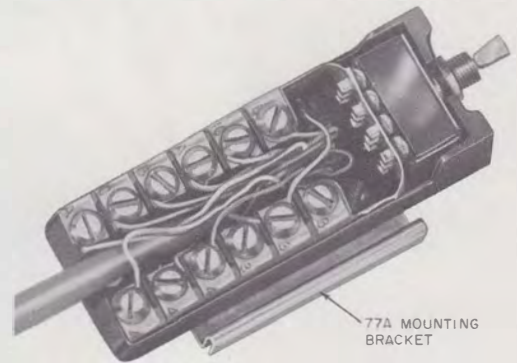


Fig. 8—Interior View of KS-21254, List 4 Key Showing Leads Terminated