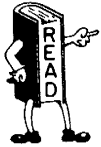


COIN TELEPHONES—1A- AND 2A-TYPE CONNECTIONS

1. GENERAL

1.01 This section is reissued to add information for 2A1 and 2A2 coin telephones.



This reissue does not change any circuit connections.

1.02 Fig. 1 shows connections for 1A2 or 2A2 coin telephone.

1.03 Fig. 2 shows connections for 1A1 or 2A1 coin telephone.

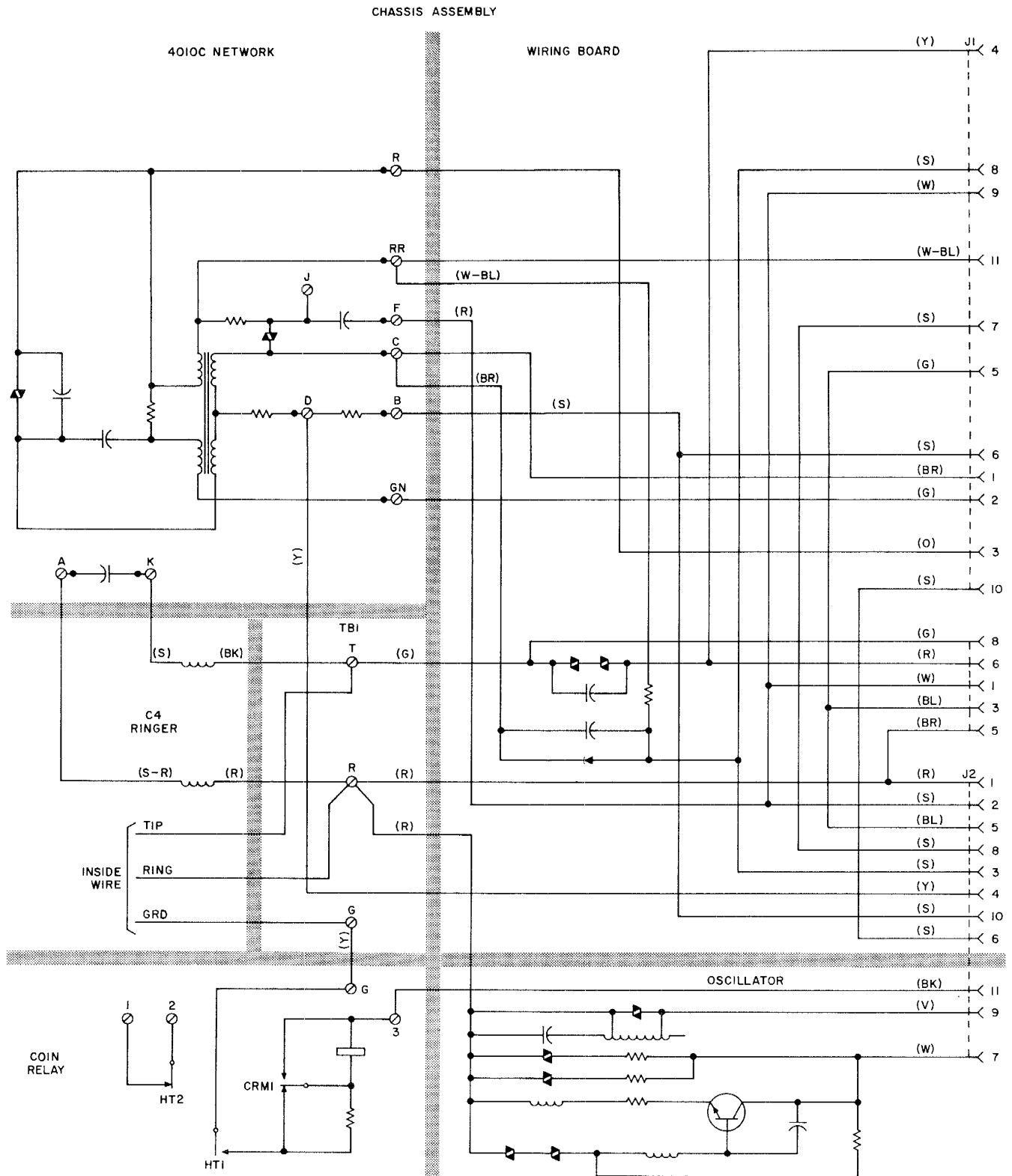


Fig. 1—1A2 or 2A2 Coin Telephone—Connections (Sheet 1)

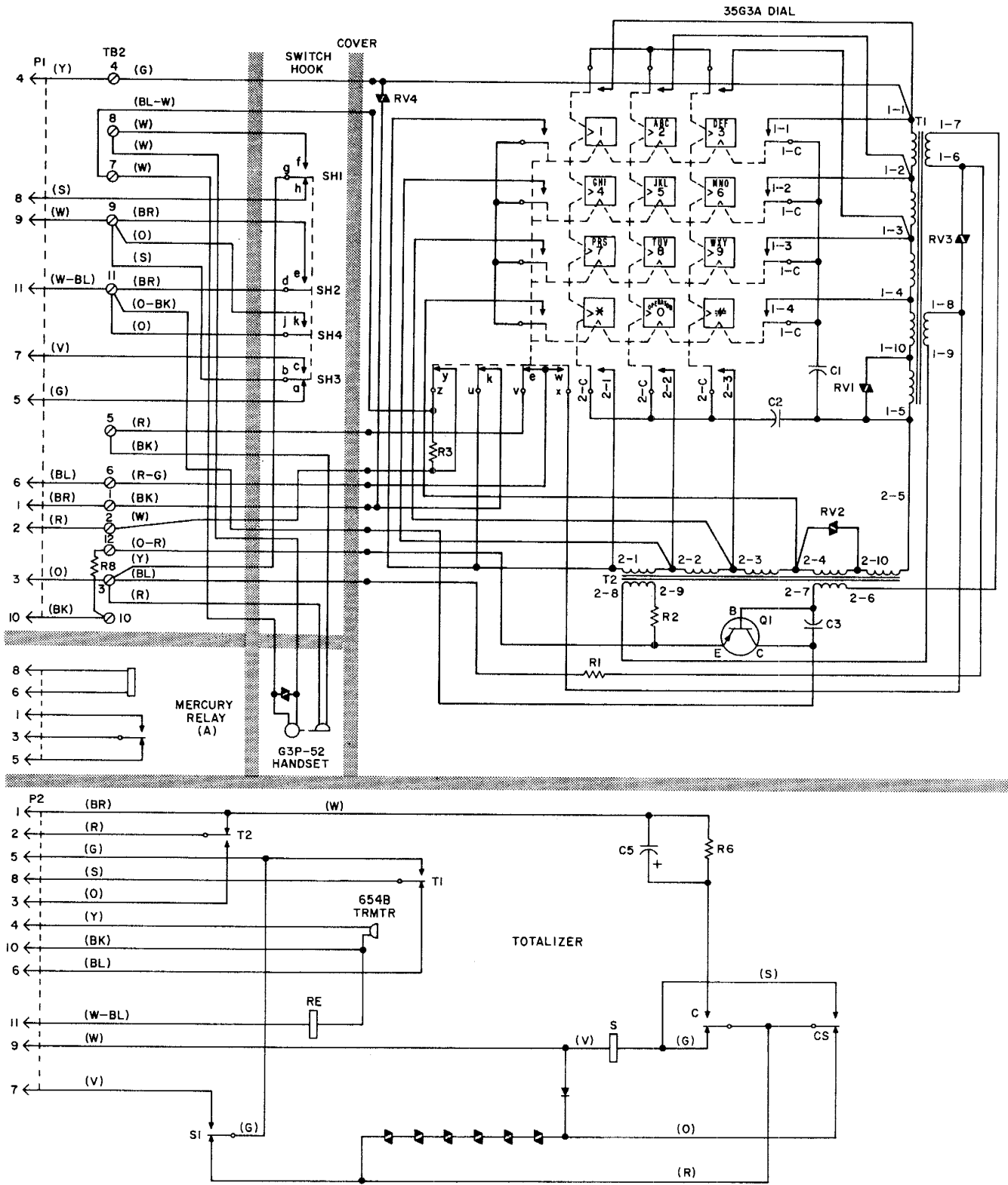


Fig. 1—1A2 or 2A2 Coin Telephone—Connections (Sheet 2)

SECTION 506-326-400

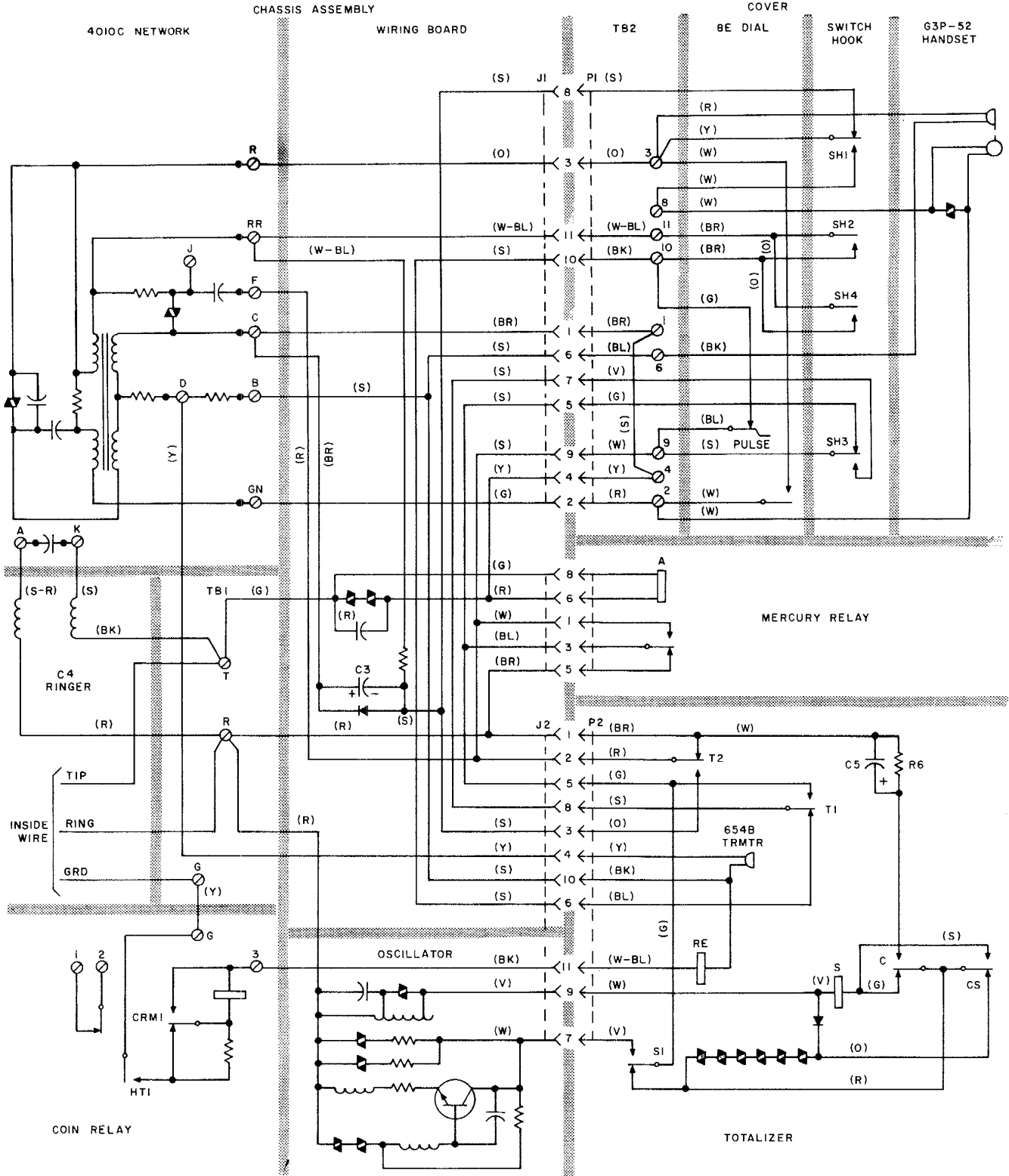


Fig. 2-1A1 or 2A1 Coin Telephone—Connections