

SERVICE

2702D AND 2702DM TELEPHONE SETS

CONNECTIONS

1. GENERAL

1.01 This section contains information for the 2702D (MD) and 2702DM (MD) telephone sets.

1.02 Reissued to:

- Show 2702D and 2702DM telephone sets MD
- Show the D5AK mounting cord MD

TABLE A

POLARITY GUARD CONNECTIONS
(D-180229 Kit of Parts)

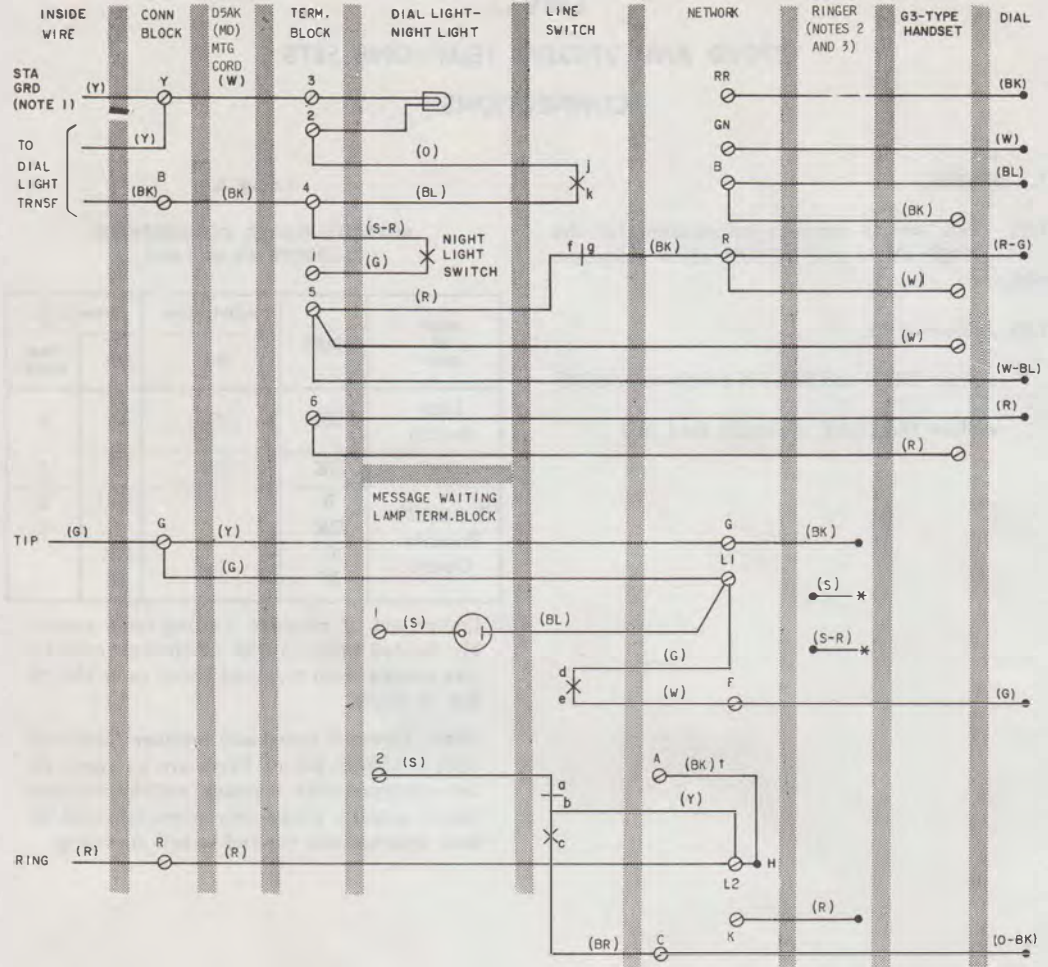
WIRE OR LEAD	COLOR	REMOVE FROM	CONNECT TO	
		NET.	NET.	TERM. BLOCK*
Line Switch	BR	C		4
Dial	BK	RR		3
D-180229 Polarity Guard	R			3
	BK			4
	G		RR	
	W		C	

* Component of message waiting lamp assembly located between dial mounting brackets. Use screws from terminal board in D-180229 Kit of Parts.

Note: Terminal board and retainer furnished with D-180229 Kit of Parts are not used on sets equipped with message waiting feature. Install polarity guard only when specified by local instructions for end-to-end signaling.

NOTICE

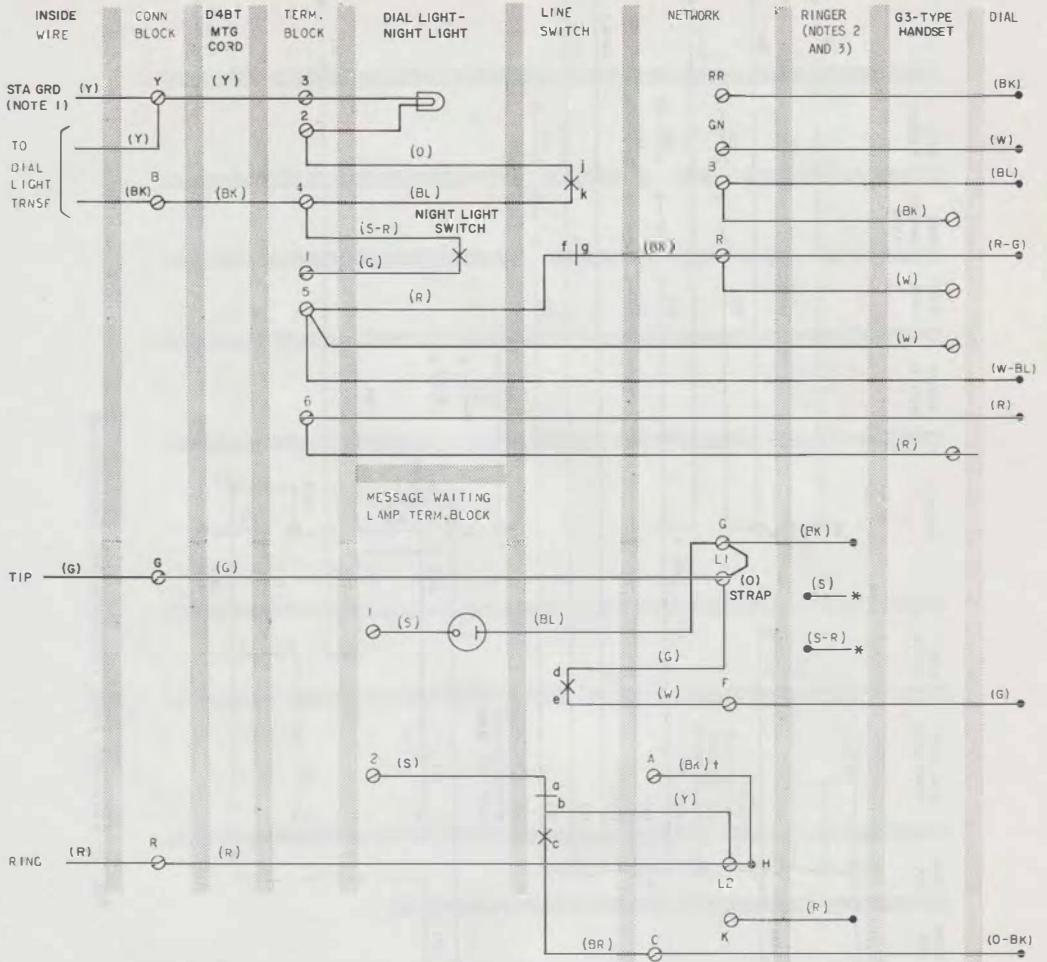
Not for use or disclosure outside the
Bell System except under written agreement



- NOTES:
1. STATION GROUND SHALL BE PROVIDED FOR ALL INSTALLATIONS.
 2. TO SILENCE RINGER PERMANENTLY, REFER TO APPROPRIATE RINGER SECTION IN DIVISION 501.

* INSULATED AND STORED
 † ON 4228G NET. THIS LEAD IS SPADE-TIPPED ON BOTH ENDS AND CONNECTS TO TERMS. A AND L2.

Fig. 1—2702D (MD) Telephone Set, Connections Using D5AK (MD) Mounting Cord



NOTES:

1. STATION GROUND SHALL BE PROVIDED FOR ALL INSTALLATIONS.
2. TO SILENCE RINGER PERMANENTLY, REFER TO APPROPRIATE RINGER SECTION IN DIVISION 501.

* INSULATED AND STORED

† ON 4228G NET. THIS LEAD IS SPADE-TIPPED ON BOTH ENDS AND CONNECTS TO TERMS. A AND L2.

Fig. 2—2702D (MD) Telephone Set, Connections Using D4BT Mounting Cord

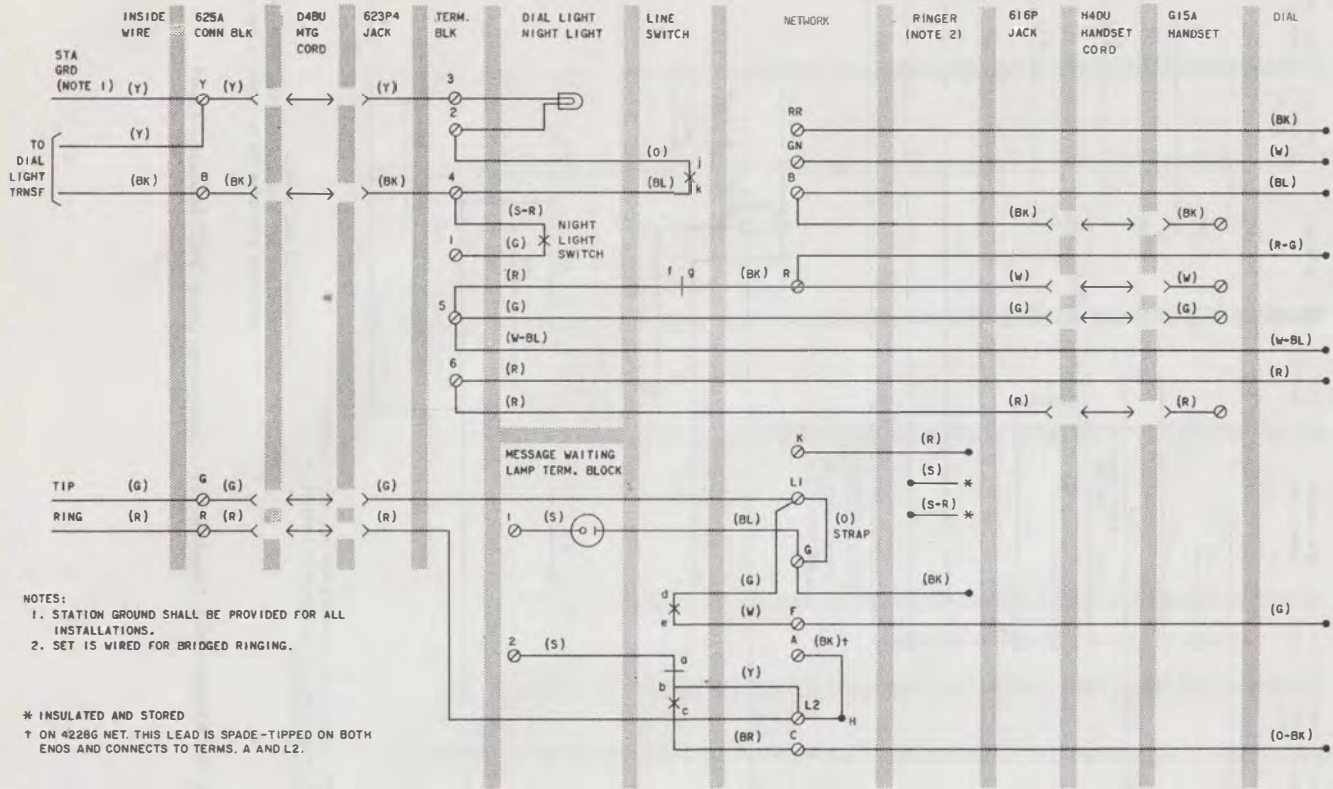


Fig. 3—2702DM (MD) Telephone Set, Connections

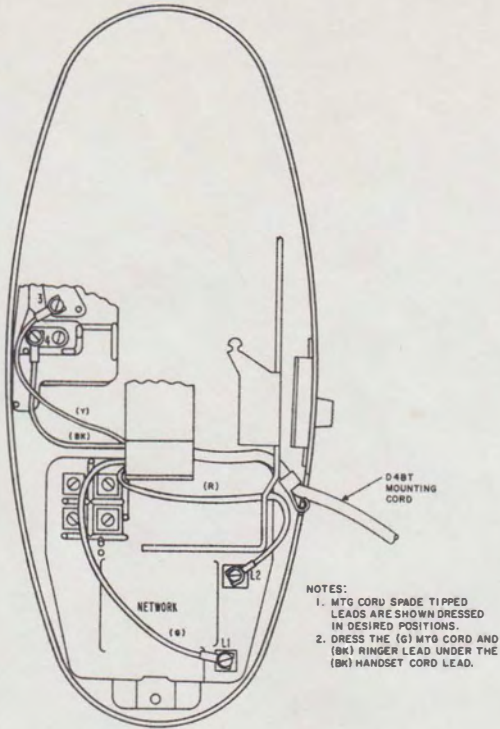


Fig. 4—Method of Terminating D4BT Mounting Cord in Sets Equipped With 4010-Type Network

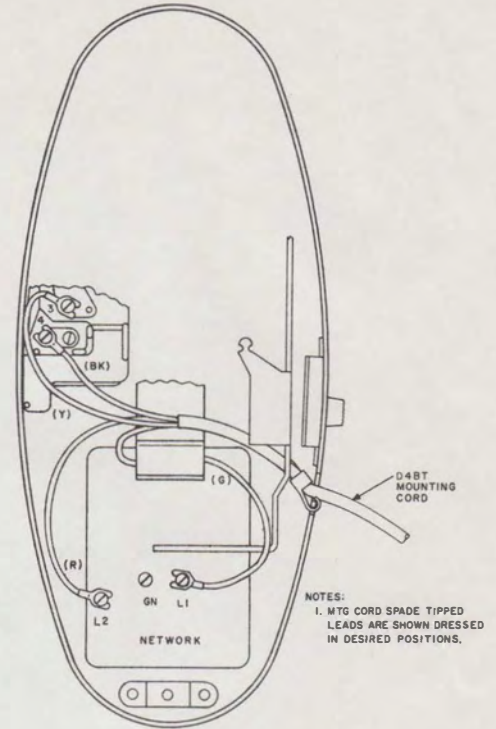


Fig. 5—Method of Terminating D4BT Mounting Cords in Sets With 4228-Type Network