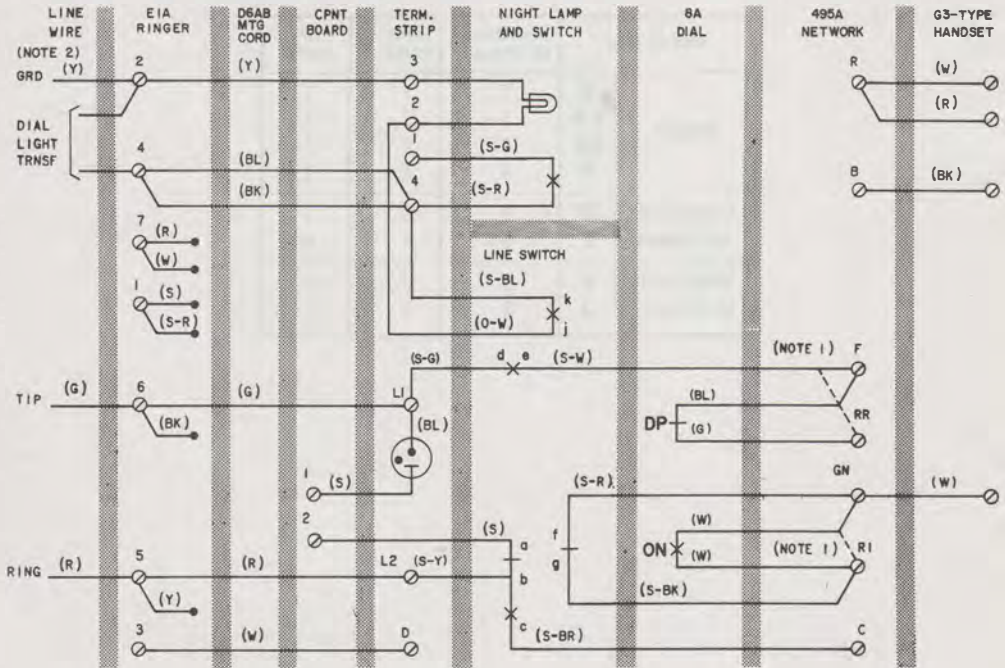


# SERVICE

## 701D TELEPHONE SETS

### 1. GENERAL

1.01 Reissued to add nontechnical changes to Fig. 1.



**NOTES:**

1. DOTTED LINES INDICATES CONNECTION FOR MANUAL SERVICE. DIAL REMAINS ON THE SET.
2. GROUND MAY BE OMITTED IF NOT REQUIRED FOR SERVICE; NOT REQUIRED FOR PROTECTION OF DIAL-LIGHT TRANSFORMER.
3. SET WIRED FOR BRIDGED SERVICE. SEE TABLE A FOR OTHER CLASSES OF SERVICE.
4. LINE SWITCH SEQUENCE, HANDSET REMOVED.
 

(1) bc- MAKES	(4) gf- BREAKS
(2) de- MAKES	(5) jk- MAKES
(3) ab- BREAKS	

**ON** DIAL OFF-NORMAL CONTACT  
**DP** DIAL-PULSE CONTACT

**Fig. 1—701D (MD) Telephone Set, Connections**

TABLE A

## LINE AND RINGER CONNECTIONS

WIRE OR LEAD		INDIVIDUAL OR BRIDGED	RING PARTY	TIP PARTY
Ringer	R	7	7	7
	S-R	1	1	1
	BK	6	2	2
	S	1	1	1
Capacitor in Ringer	W	7	7	7
	Y	5	5	6
Mtg Cord at Ringer	R	5	5	6
	G	6	6	5