

## SERVICE

### 712B AND 712BM TELEPHONE SETS

#### 1. GENERAL

- 712BM Connections Fig. 2, 4, and 6.

#### 1.01 Reissued to add:

- 712B Connections Fig. 3, 5, and 7.

#### NOTICE

Not for use or disclosure outside the  
Bell System except under written agreement

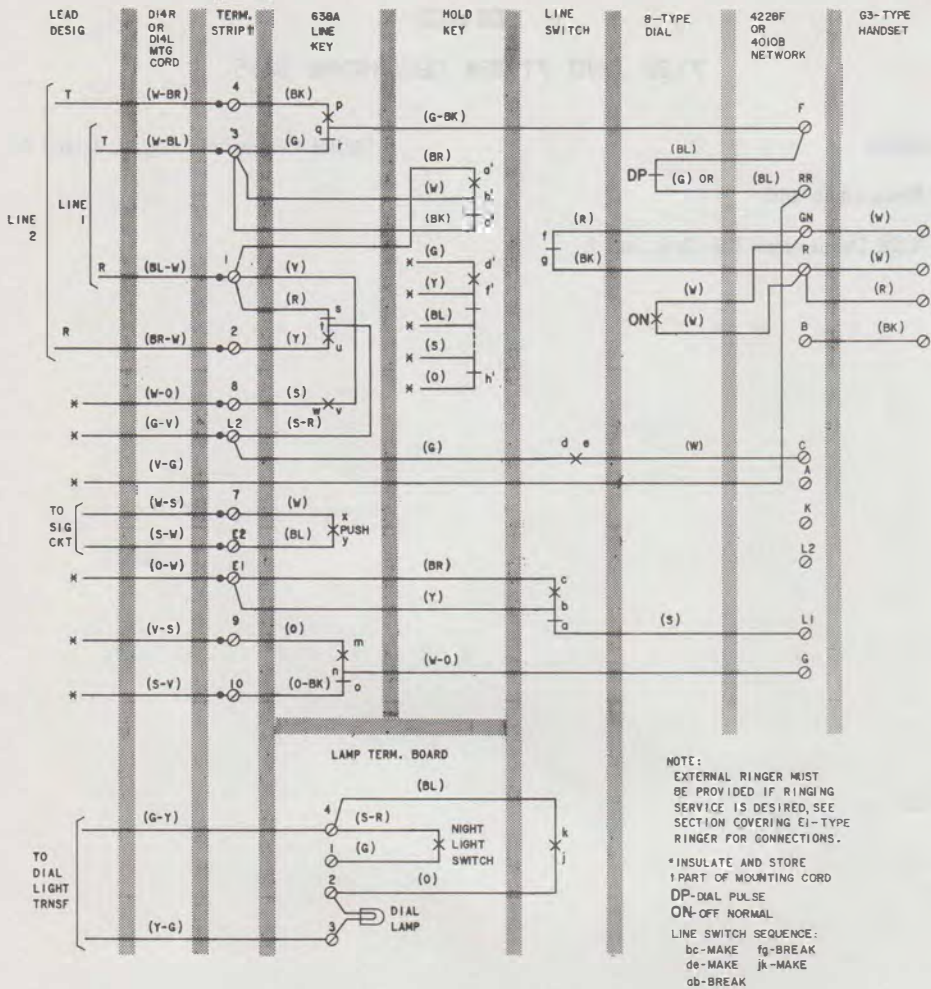
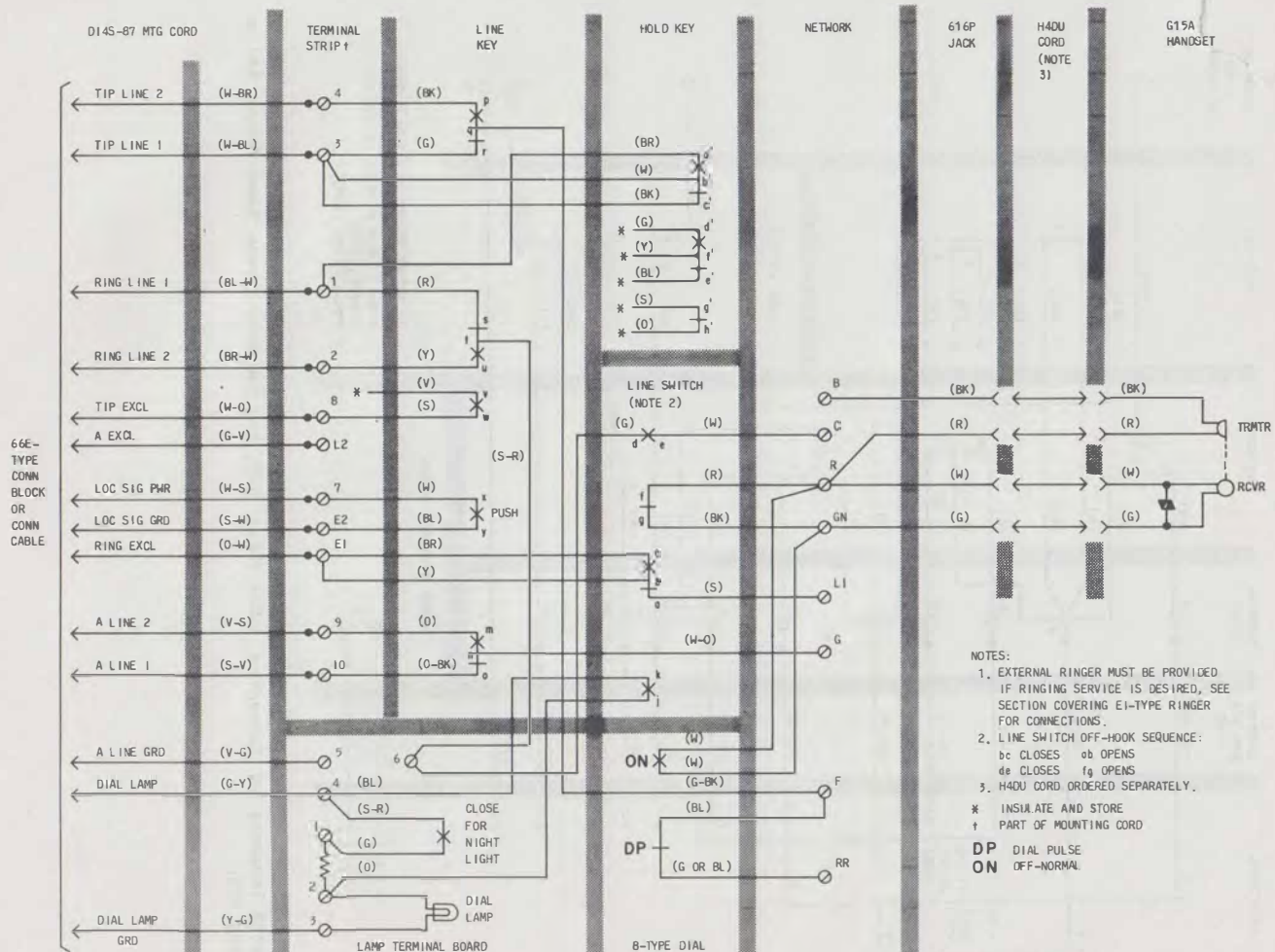


Fig. 1—712B Telephone Set, Connections, Wired for 2-Line Pickup, Hold on Line 1, and Signaling (Factory Wiring)



- NOTES:
- EXTERNAL RINGER MUST BE PROVIDED IF RINGING SERVICE IS DESIRED, SEE SECTION COVERING E1-TYPE RINGER FOR CONNECTIONS.
  - LINE SWITCH OFF-HOOK SEQUENCE:  
bc CLOSES ob OPENS  
de CLOSES fg OPENS
  - H40U CORD ORDERED SEPARATELY.
- \* INSULATE AND STORE  
† PART OF MOUNTING CORD
- DP DIAL PULSE  
ON OFF-NORMAL

Fig. 2—712BM Telephone Set, Connections, Wired for 2-Line Pickup, Hold on Line 1, and Signaling

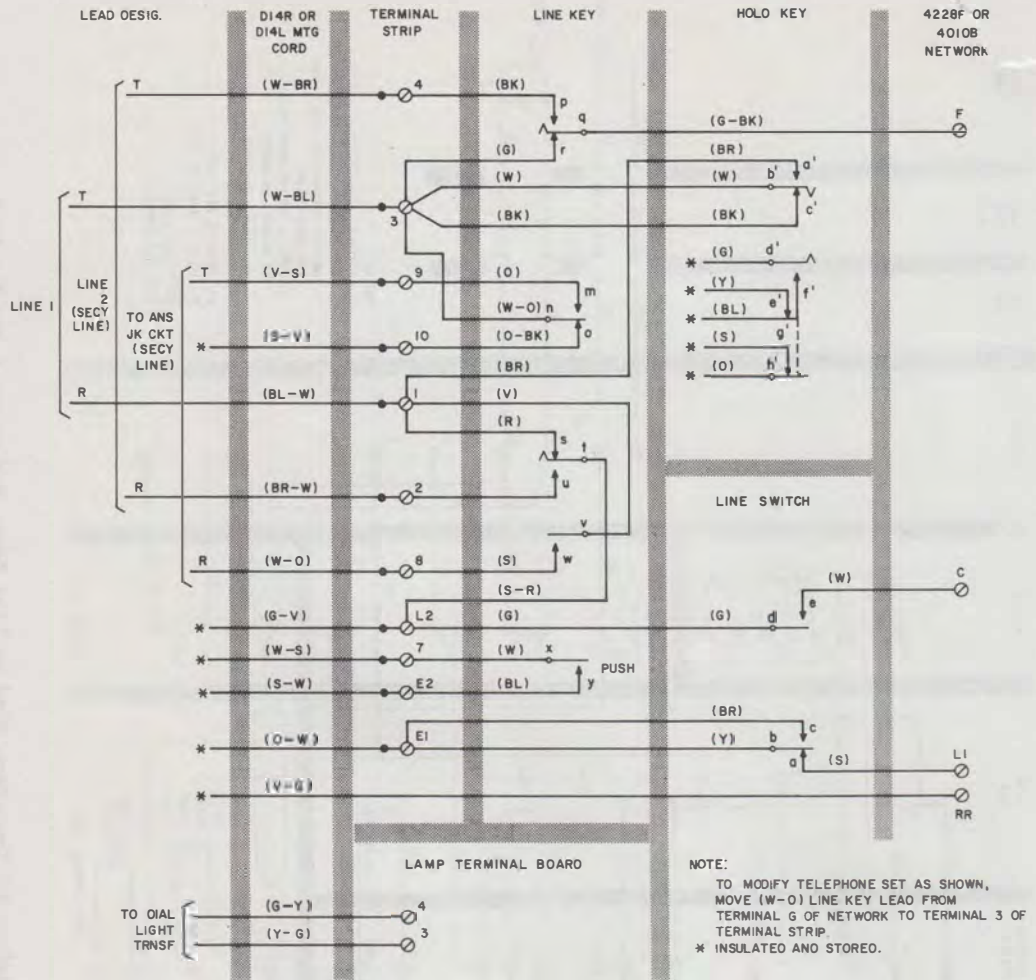


Fig. 3—712B Telephone Set, Connections, 1-Line Pickup, Hold, and Secretarial Service (Used Without 1A1 or 1A2 KTS)

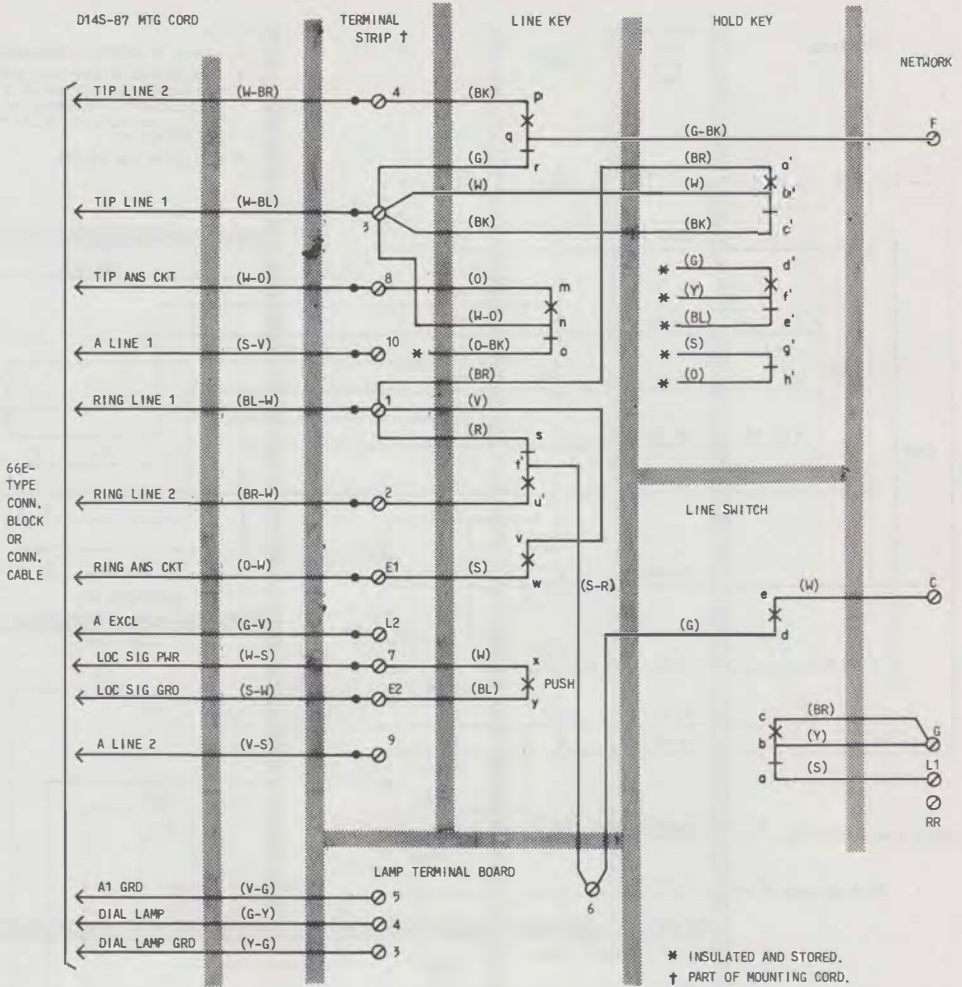


Fig. 4—712BM Telephone Set, Connections, 1-Line Pickup, Hold, and Secretarial Service (Used With 1A1 or 1A2 KTS)

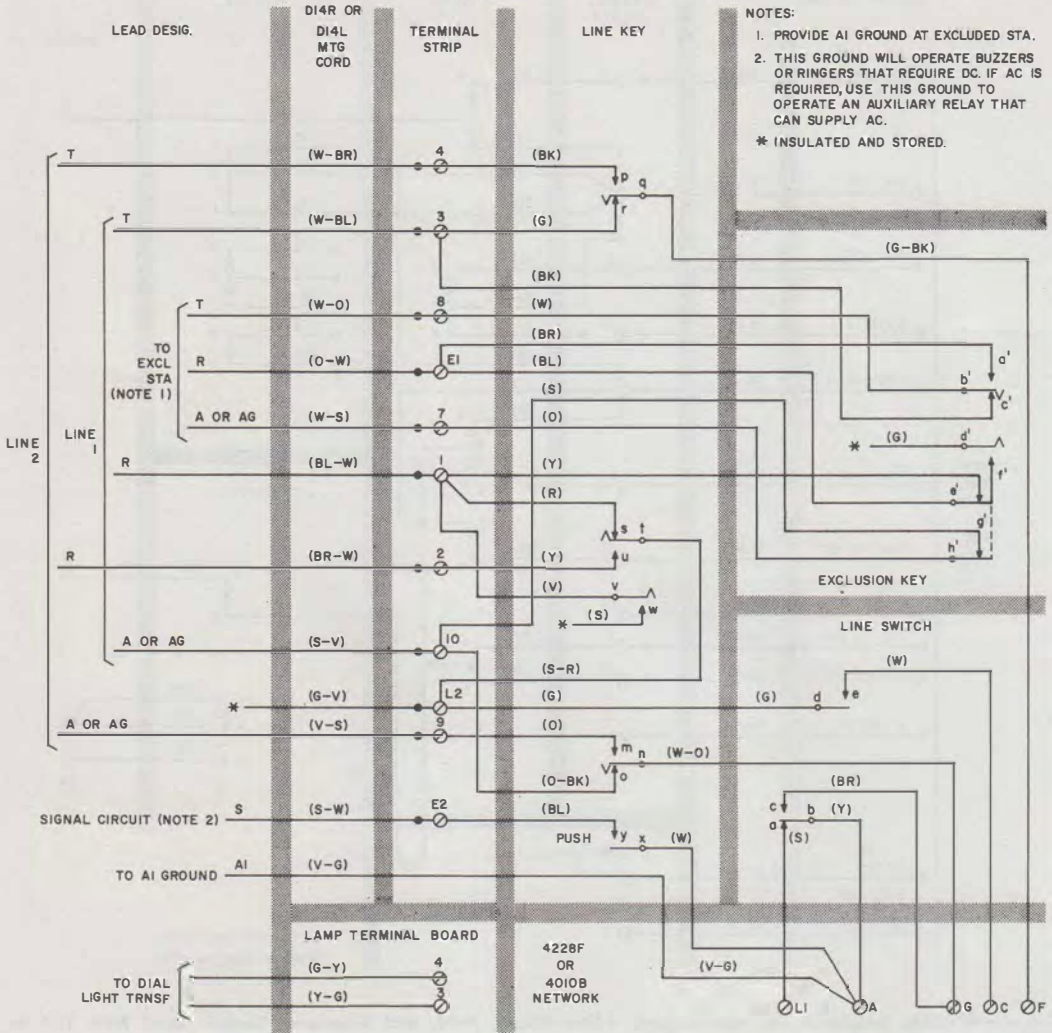
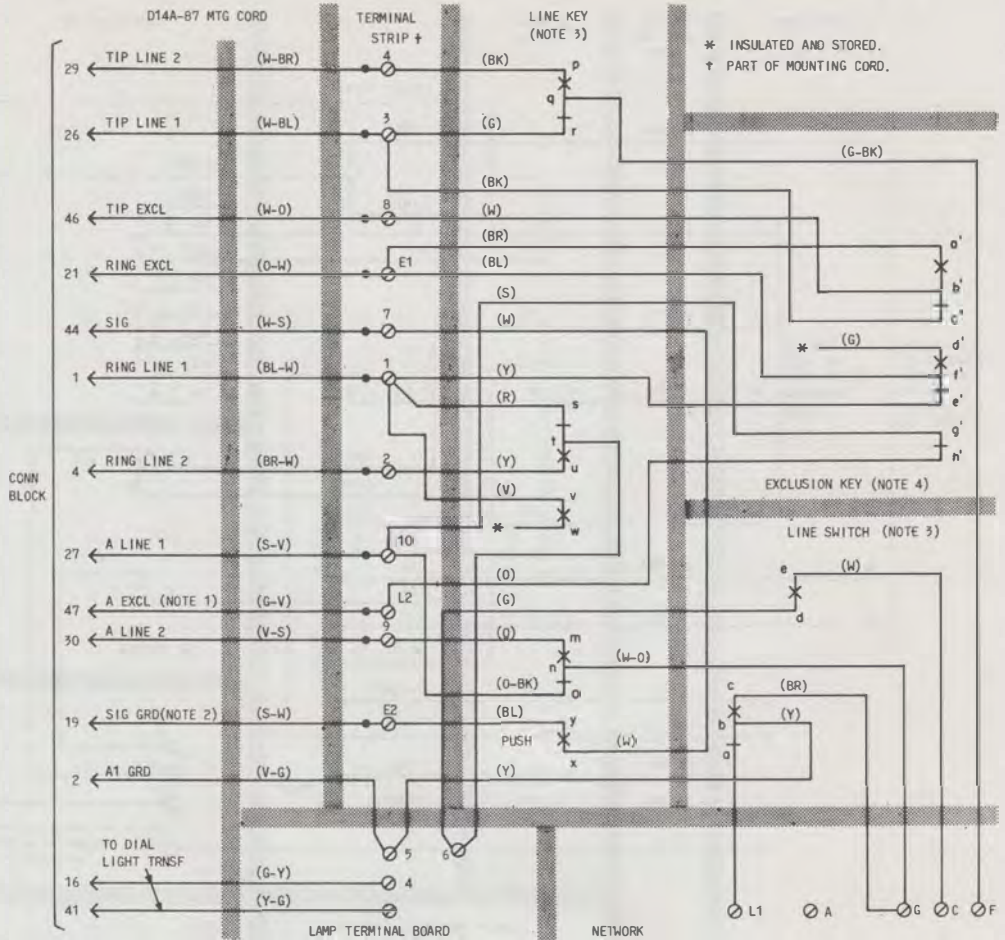


Fig. 5—712B Telephone Set, Connections, 2-Line Pickup, Exclusion on Line 1, and Signaling (Used With 1A1 or 1A2 KTS)



NOTES:

1. PROVIDE A1 GROUND AT EXCLUDED STA.
2. THIS GROUND WILL OPERATE BUZZERS OR RINGERS THAT REQUIRE DC. IF AC IS REQUIRED, USE THIS GROUND TO OPERATE AN AUXILIARY RELAY THAT CAN SUPPLY AC.

3. TO PREVENT A FALSE HOLD CONDITION, THE A LEAD CONTACTS ON THE LINE SWITCH AND LINE KEY MUST MAKE BEFORE THE TIP AND RING CONTACTS.
4. TO PROVIDE EXCLUSION ON LINE 2, CONNECT (BK), (Y), AND (S) EXCLUSION KEY LEADS TO TERMINALS 4, 2, AND 9 RESPECTIVELY.

Fig. 6—712BM Telephone Set, Connections, 2-Line Pickup, Exclusion on Line 1, and Signaling (Used With 1A1 or 1A2 KTS) (Factory Wiring)

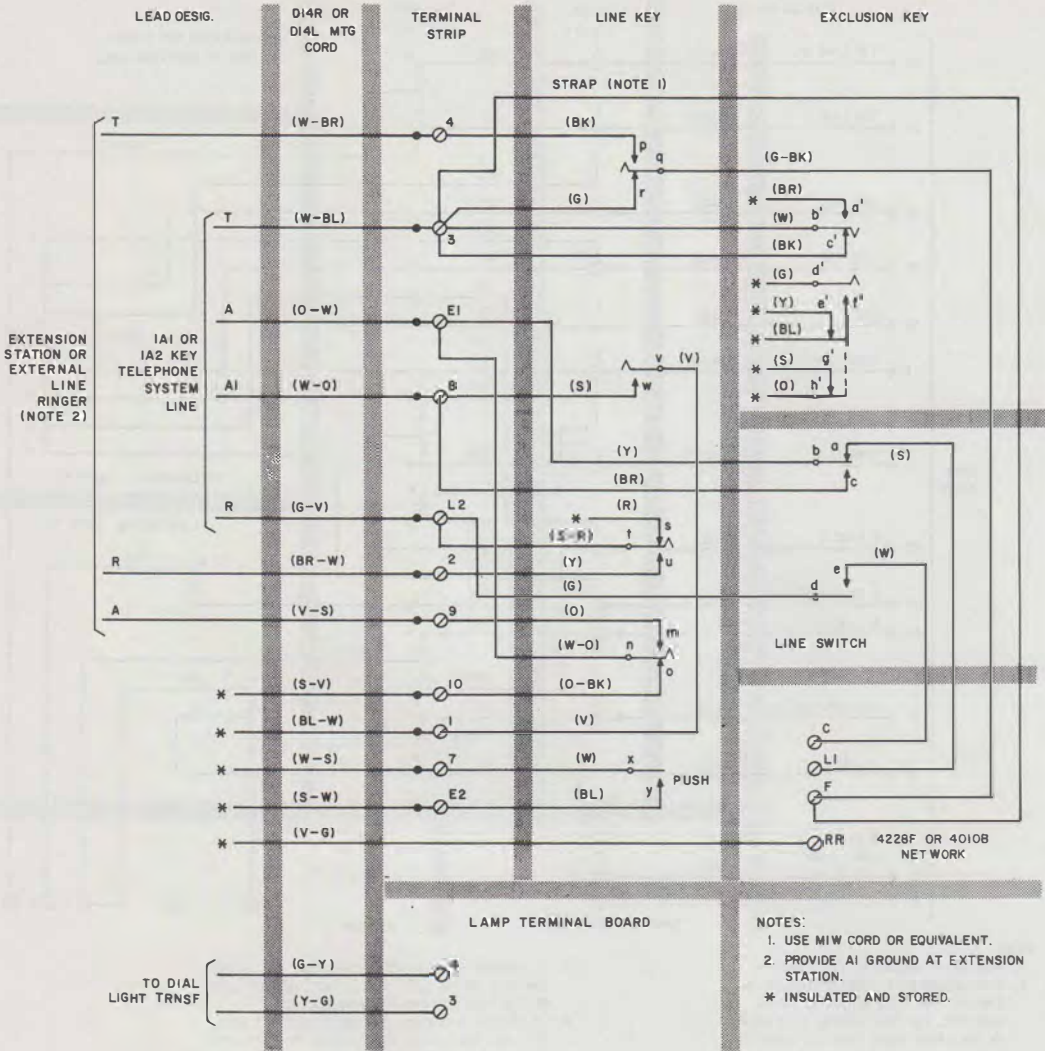


Fig. 7—712B Telephone Set, Connections, Wired for 1-Line Pickup, Cutoff Feature for Extension Station or External Line Ringer



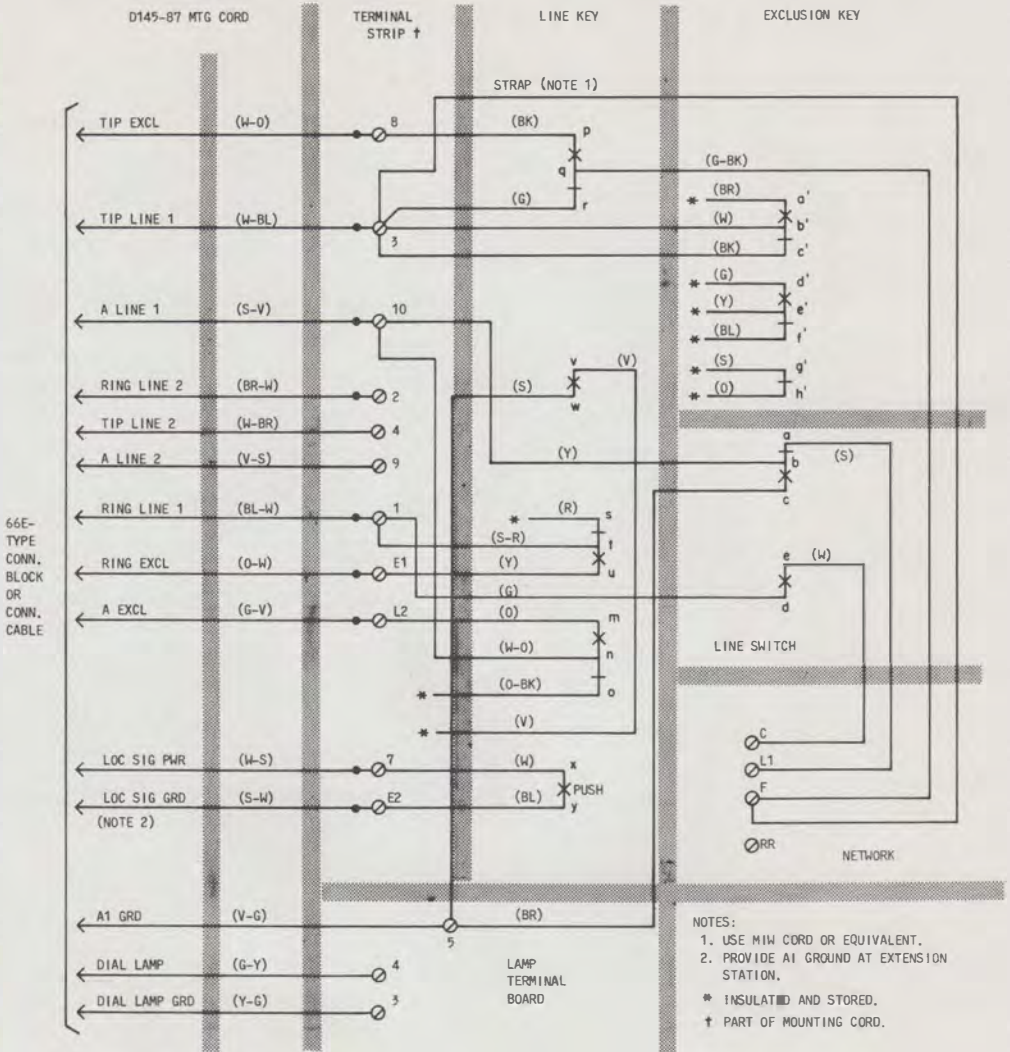


Fig. 8—712BM Telephone Set, Connections, Wired for 1-Line Pickup, Cutoff Feature for Extension Station or External Line Ringer