

**SERVICE**  
**2702B TELEPHONE SETS**

**1. GENERAL**

1.01 Reissued to revise Tables B, C and Fig. 2.

**TABLE A**  
**POLARITY GUARD CONNECTIONS**  
**(D-180229 KIT OF PARTS)**

LEAD	COLOR	REMOVE FROM NET.	CONNECT TO	
			NET.	TERM. BOARD*
Dial	BK	RR		3
Line Switch	BR	C		4
Polarity Guard	R		RR C	3
	BK G W			4

\* Component of polarity guard assembly

*Note:* For use when specified by local instructions for end-to-end signaling installations.

◆ TABLE B ◆

LINE RINGER CONNECTIONS  
2702B TELEPHONE SET WITH D5AK MOUNTING CORD

WIRE OR LEAD		INDIVIDUAL OR BRIDGED ‡	RING PARTY ‡	TIP PARTY		
				NO IDENT GRD	IDENTIFYING GROUND	
					1000 OHMS	2650 OHMS
Inside Wire at Conn Block	Ring	R	R	R	R	R
	Tip	G	G	G	G	G
	Grd	Y	Y	Y	Y	Y
Dial Light Transformer	1	Y	Y	Y	Y	Y
	2	B	B	B	B	B
D5AK Mtg Cord at Conn Block	(R)	R	R	G	G	G
	(G)	G	G	R	R	R
	(Y)	G	Y	Y	Y	Y
	(BK)	B	B	B	B	B
	(W)	Y	Y	Y	Y	Y
D5AK Mtg Cord at Set Terminals	(R)	L2	L2	L2	L2	L2
	(G)	L1	L1	L1	C	C
	(Y)	G	G	G	G	G
	(BK)	4†	4†	4†	4†	4†
	(W)	3†	3†	3†	3†	3†
Ringer Leads	(R)	K	K	K	K	K
	(BK)	G	G	G	G	G
	(S)	*	*	*	L1	*
	(S-R)	*	*	*	*	L1
Line Switch	(BR)	C	C	F	F	F
	(W) [S-W]	F	F	C	B	B
Strap From H	(BK) [S-BK]	A	A	A	*	*

\* Insulated and stored.

† Terminals on lamp terminal block.

‡ Factory-wired for bridged or ring party.

() Current color code.

[ ] MD color code.

- Note:** 1. To silence ringer permanently before all classes of service, disconnect (R) ringer lead from K; insulate and store.
2. When connecting the D5AK mounting cord leads for tip party identifying ground, use D-161488 connectors and M1W straps as required to extend conductor leads.

◆ TABLE C ◆

**LINE AND RINGER CONNECTIONS**  
**2702B TELEPHONE SET WITH D4BT MOUNTING CORD**

WIRE OR LEAD		INDIVIDUAL OR BRIDGED	RING PARTY	TIP PARTY		
				NO IDENT GRD	IDENTIFYING GROUND	
					1000 OHMS	2550 OHMS
Inside Wire at Conn Block	Ring	R	R	R	R	R
	Tip	G	G	G	G	G
	Grd	Y	Y	Y	Y	Y
Dial Light Transformer	1	Y	Y	Y	Y	Y
	2	B	B	B	B	B
D4BT Mtg Cord at Conn Block	(R)	R	R	G	G	G
	(G)	G	G	R	R	R
	(Y)	Y	Y	Y	Y	Y
	(BK)	B	B	B	B	B
D4BT Mtg Cord at Set Terminals	(R)	L2	L2	L2	L2	L2
	(G)	L1	L1	L1	C	C
	(Y)	3†	3†	3†	3†	3†
	(BK)	4†	4†	4†	4†	4†
Ringer Leads	(R)	K	K	K	K	K
	(BK)	L1	3†	3†	3†	3†
	(S)	*	*	*	L1	*
	(S-R)	*	*	*	*	L1
Line Switch	(BR)	C	C	F	F	F
	(W) [S-W]	F	F	C	B	B
Strap From H	(BK) [S-BK]	A	A	A	*	*

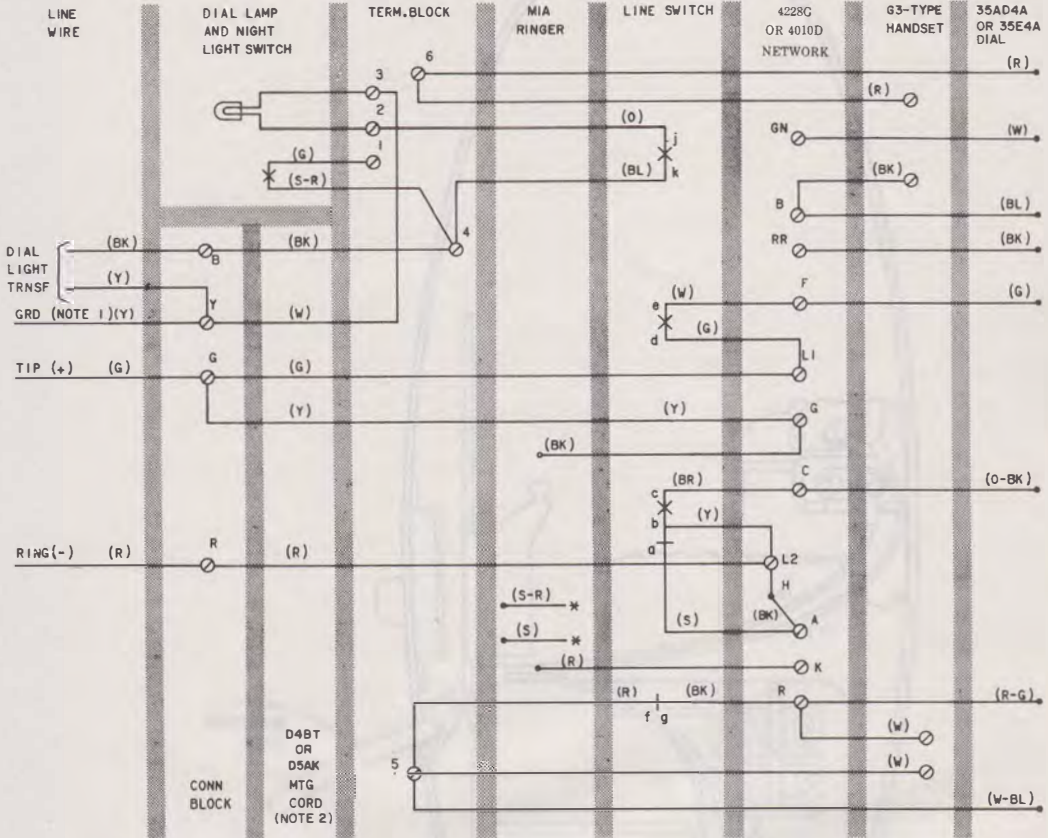
\* Insulated and stored.

† Terminals on lamp terminal block.

( ) Current color code.

[ ] MD color code.

**Note:** To silence ringer permanently (for all classes of service), disconnect (R) ringer lead from K; insulate and store.



NOTE:

1. GROUND MAY BE OMITTED IF NOT REQUIRED FOR SERVICE, NOT NECESSARY FOR PROTECTION OF DIAL LIGHT TRANSFORMER.
  2. CONNECTIONS SHOWN FOR D5AK MTG. CORD. IF D4BT MTG. CORD IS USED, REFER TO TABLE C.
- \* INSULATED AND STORED.

LINE SWITCH SEQUENCE:

- bc - MAKE
- de - MAKE
- ab - BREAK
- fg - BREAK
- jk - MAKE

Fig. 1—2702B Telephone Set, Connections

6

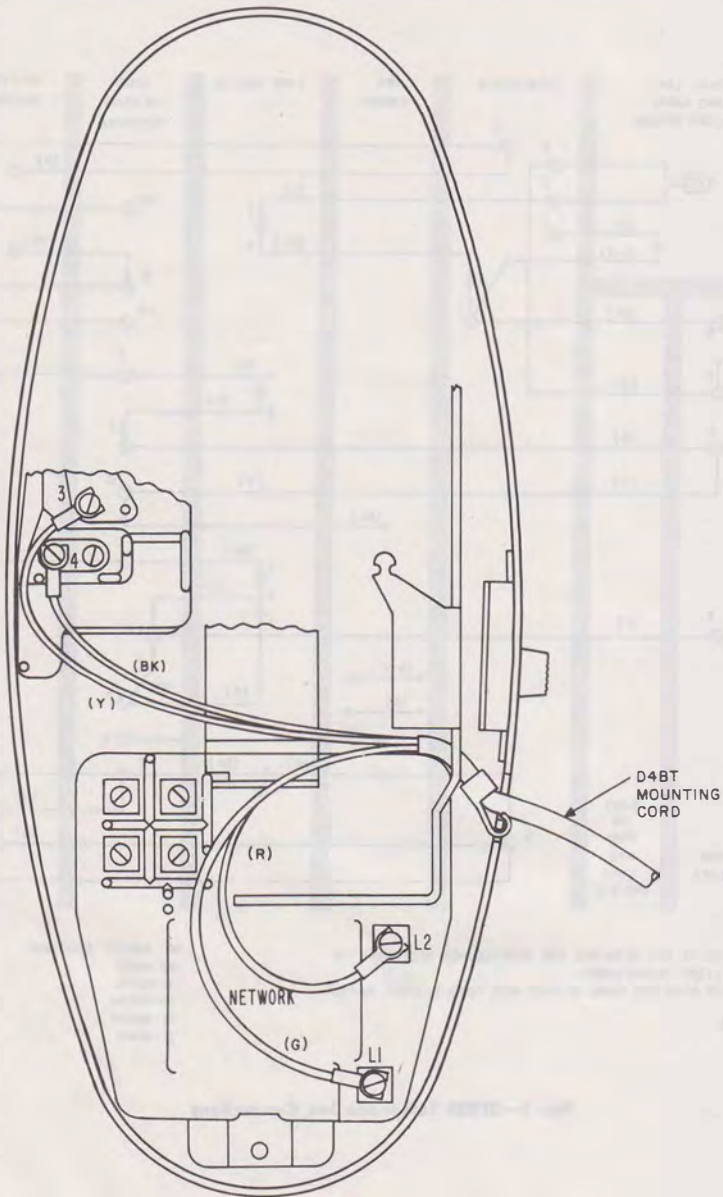


Fig. 2—Method of Terminating D4BT Mounting Cord