

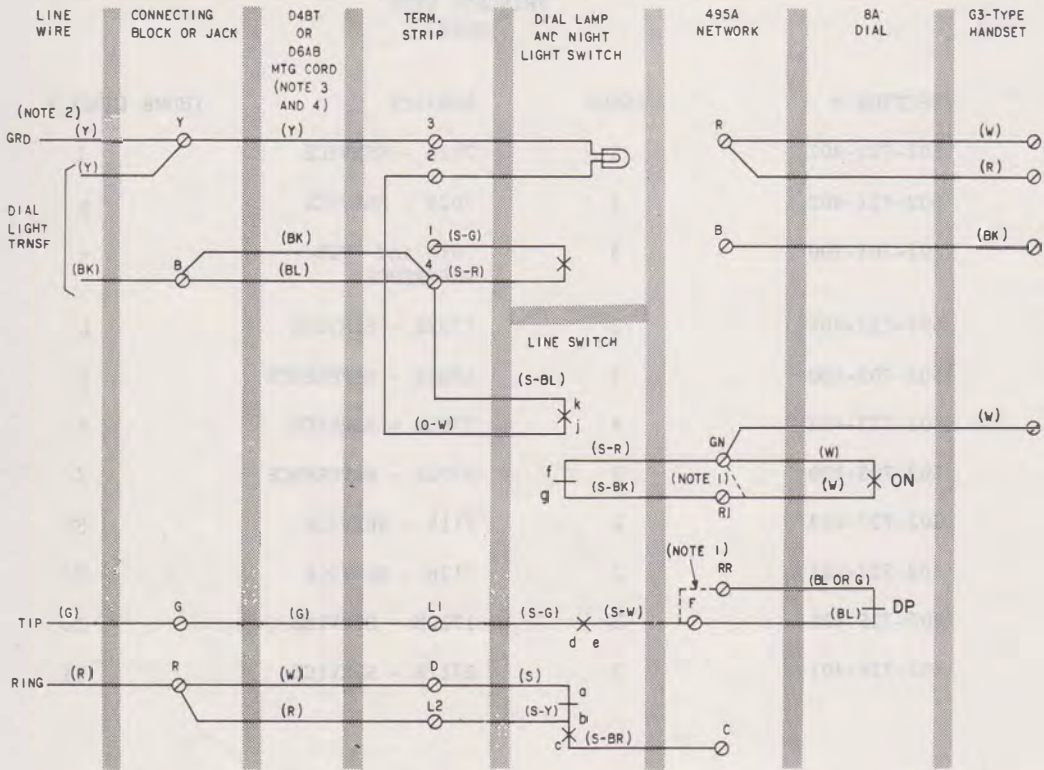
## SERVICE

### 701B TELEPHONE SETS

#### 1. GENERAL

##### 1.01 Reissued to:

- Change Tables A and B
- Add D4BT mounting cord to Fig. 1 and 2



**NOTES:**

1. DASHED LINES INDICATE CONNECTION FOR MANUAL SERVICE. DIAL REMAINS ON SET.
2. GROUND MAY BE OMITTED IF NOT REQUIRED FOR SERVICE; NOT NECESSARY FOR PROTECTION OF DIAL LIGHT TRANSFORMER.
3. INSULATE AND STORE (BL) AND (w) CONDUCTORS IN PORTABLE INSTALLATIONS.
4. (BL) AND (w) LEADS ON D6AB CORD ONLY.

DP- DIAL PULSE  
ON- OFF NORMAL

LINE SWITCH SEQUENCE:  
bc- MAKE  
de- MAKE  
ab- BREAK  
fg- BREAK

TPA 542402

Fig. 1—701B (MD) Telephone Set Connections, Without Ringer or as a Portable Installation

♦ TABLE A ♦

**CONNECTIONS FOR TIP, BRIDGED, OR RING PARTY SERVICE  
WHEN USING TELEPHONE SET WITHOUT RINGER**

WIRE OR LEAD		COLOR	INDIVIDUAL OR BRIDGED	RING PARTY	TIP PARTY	TIP PARTY WITH IDENT GRD	
						1000Ω	2500Ω
Line Wire at Conn Block	Ring	R	R	R	R	R	R
	Tip	G	G	G	G	G	G
	Grd	Y	Y	Y	Y	Y	Y
Trnsf Leads at Conn Block		Y BK	Y B	Y B	Y B	Y B	Y B
Mtg Cord at Conn Block		R	R	R	G	G	G
		G	G	G	R	R	R
		Y	Y	Y	Y	Y	Y
		BL	B	B	B	B	B
		W BK	R B	R B	R B	G B	G B
Mtg Cord at Set		R	L2	L2	L2	L2	L2
		G	L1	L1	L1	†	†
		Y	3	3	3	3	3
		BL	4	4	4	4	4
		W BK	D 4	D 4	D 4	D 4	D 4
1610A or 1635A Inductor Leads at Set		BK R S				3 L1 *	3 * L1
Line Switch		S-W	F †	F †	F †	B †	B †

\* Insulate and store.

† Terminal on network.

‡ Remove (G) mounting cord lead from L1 terminal in set and connect to terminal F of network using D-161488 connector and M1W cord.

**Note:** Connections include modifications to prevent false billing due to incomplete hangup.

1

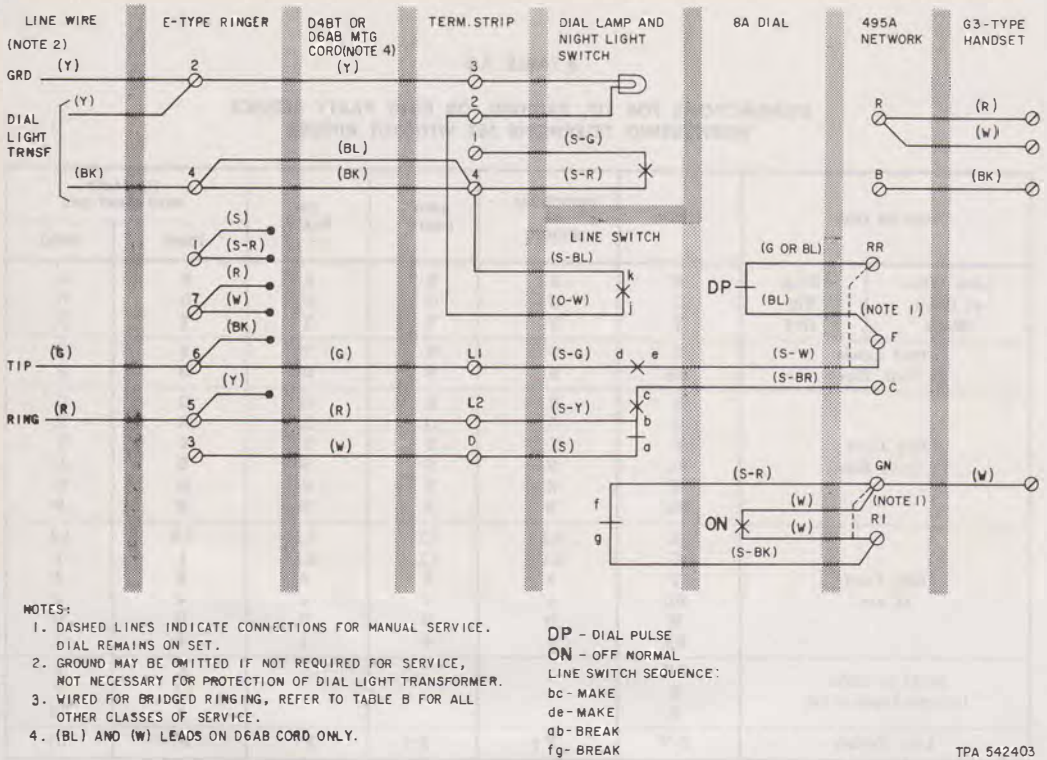


Fig. 2—701B (MD) Telephone Set Connections, With E-Type Ringer

◆ TABLE B ◆

## LINE AND RINGER CONNECTIONS WITH E1C OR E1A (MD) RINGER

WIRE OR LEAD		COLOR	INDIVIDUAL OR BRIDGED	RING PARTY	TIP PARTY	TIP PARTY WITH IDENT GRD		4 PARTY FULLSELECTIVE 8 PARTY SEMISELECTIVE †	
						1000Ω	2650Ω	- RING	+ RING
Line at Ringer	Ring Tip Grd	R	5	5	5	5	5	5	5
		G	6	6	6	6	6	6	6
		Y	2	2	2	2	2	2	2
Ringer		R	7	7	7	7	1	2	5
		S-R	1	1	1	1	2	1	1
		BK	6	2	2	2	1	2	5
		S	1	1	1	1	7	7	7
Capacitor in Ringer		W	7	7	7	7	7	1	1
		Y	5	3	3	3	3	7	7
Trnsf Leads	G or Y R or BK	G	2	2	2	2	2	2	2
		Y	4	4	4	4	4	4	4
Mtg Cord at Ringer		R	5	5	6	6	6	5	5
		G	6	6	5	5	5	6	6
		Y	2	2	2	2	2	2	2
		BL	4	4	4	1	1	4	4
		W	3	3	3	3	3	1	1
		BK	4	4	4	4	4	4	4
Mtg Cord at Set		R	L2	L2	L2	L2	L2	L2	L2
		G	L1	L1	L1	§	§	L1	L1
		Y	3	3	3	3	3	3	3
		BL	4	4	4	L1	L1	4	4
		W	D	D	D	D	D	†	†
		BK	4	4	4	4	4	4	4
Line Switch	S-W	F*	F*	F*	B*	B*	F*	F*	
426A Tube Leads	BK R Y							†	†
								L1	L2
								L2	3

\* Terminal on network.

† Remove W lead from D punching in set and connect to BK tube lead using D-161488 connector.

‡ Reverse (R) and (G) line wire at ringer for tip party service.

§ Remove (G) mounting cord lead from L1 terminal in set and connect to terminal F of network using D-161488 connector and M1W cord.