

SERVICE

**526A/B AND 526AM/BM TELEPHONE SETS
CONNECTIONS**

1. GENERAL

1.01 This section contains information for the 526A/B and 526AM/BM weatherproof telephone sets.

- Revise Fig. 1, 2, 3, and 4

- Add Fig. 5, 6, 7, 8, and 9

1.02 Reissued to:

- Revise Tables A and B

- Show 526A/B (MD)

- Add Tables D through J.

TABLE A

FACEPLATES FOR 526-TYPE TELEPHONE SETS

FACEPLATE CODE NUMBER	INTENDED USE	
	TELEPHONE SET	OPTIONAL (KIT TYPE) FEATURES
253A1	526A and AM (Manual)	None
253A2		Microswitch
253B1	526B and BM (Rotary Dial)	Single Line Service with or without Exclusion
253B2		Two Line Pick-Up Switch
253B3		Circuit Lock
253B4		Circuit Lock and Two Line Pick-Up Switch

NOTICE

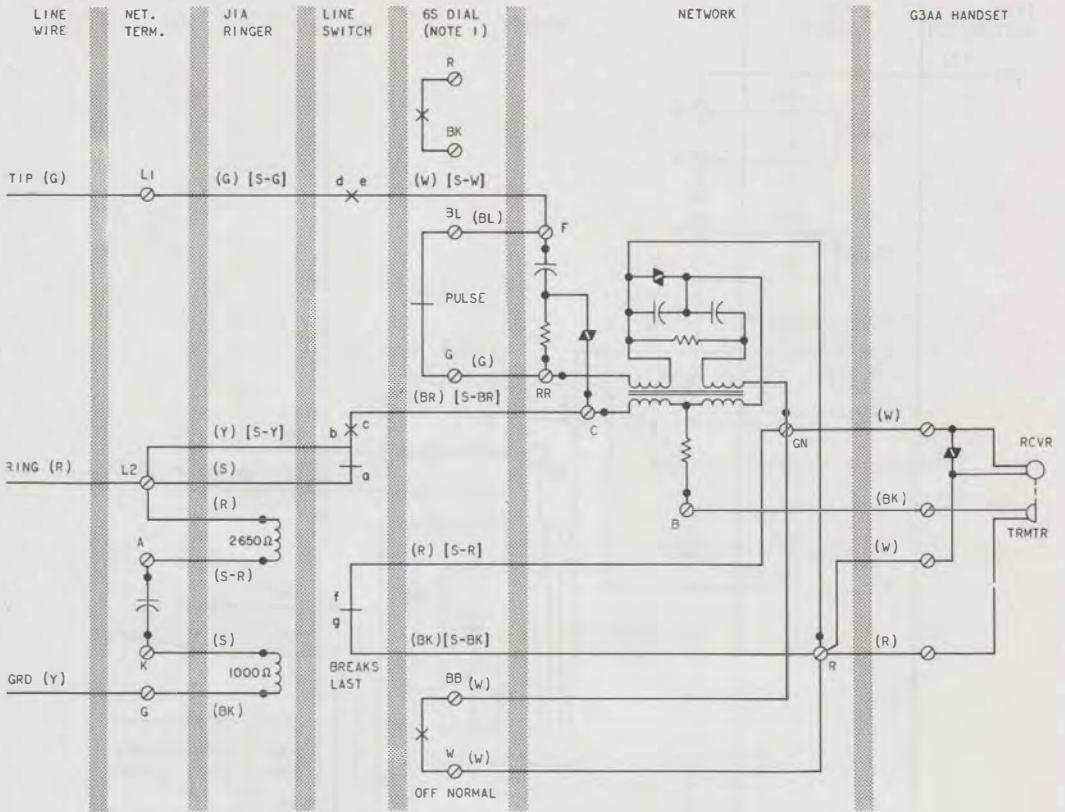
Not for use or disclosure outside the
Bell System except under written agreement

TABLE B

KITS FOR 526-TYPE TELEPHONE SETS

KIT OF PARTS NUMBER	KIT COMPONENTS	INTENDED USE
D-180382	834854564 (P-48V456) Lock Assembly (Includes Key) 834854209 (P-48V420) Strike Plate	Mechanical lock for 526A housing door
D-180383	812750537 (P-27E053) Exclusion Switch Arm 801809500 (P-180950) Screws (two) 812750578 (P-27E057) Hook and Plunger Assembly	Provide exclusion feature
D-180385	834854580 (P-48V458) Circuit Lock Assembly 814313763 (P-43A376) Screws (two)	Disables dial on telephone set base
D-180386	834854598 (P-48V459) Microswitch Assembly 829250331 (P-92N033) Terminal Assembly 814313763 (P-43A376) Screws (four)	526A telephone set base for TD2 radio towers
D-180490	834854697 (P-48V469) Plug Assembly 834854382 (P-48V438) Magnet Holder 997028493 (RM-702849) Magnetic Catch 840166763 Screws (four)	Magnetic catch for 526A housing door
D-180849	840363932 Bracket 840363840 Box 801812504 (P-181250) Screws (five) 804703361 (P-470336) Washer (two) 811713619 (P-17A361) Terminal Board Assembly Screws, Phillips Head No. 8-1/2 in. (two) Cover Cable Connector Union Pipe Nipple Galvanized 1/2 in. by 3 in. Protector 123A Jack 652A4	Provide for single line pickup
D-180850	840363832 Bracket 840363840 Box 801812504 (P-181250) Screws (five) 804703361 (P-470336) Washers (two) 811713619 (P-17A361) Terminal Board Assembly Screws, Phillips Head No. 8-1/2 in. (two) Cover Cable Connector Union Pipe Nipple Galvanized 1/2 in. by 3 in. Protector 128A Jack 652A6 Jack 623P6 834854572 (P-48V457) Switch and Arm Bracket 814454211 (P-44E421) Screws (two)	Provide for two line pickup and signaling

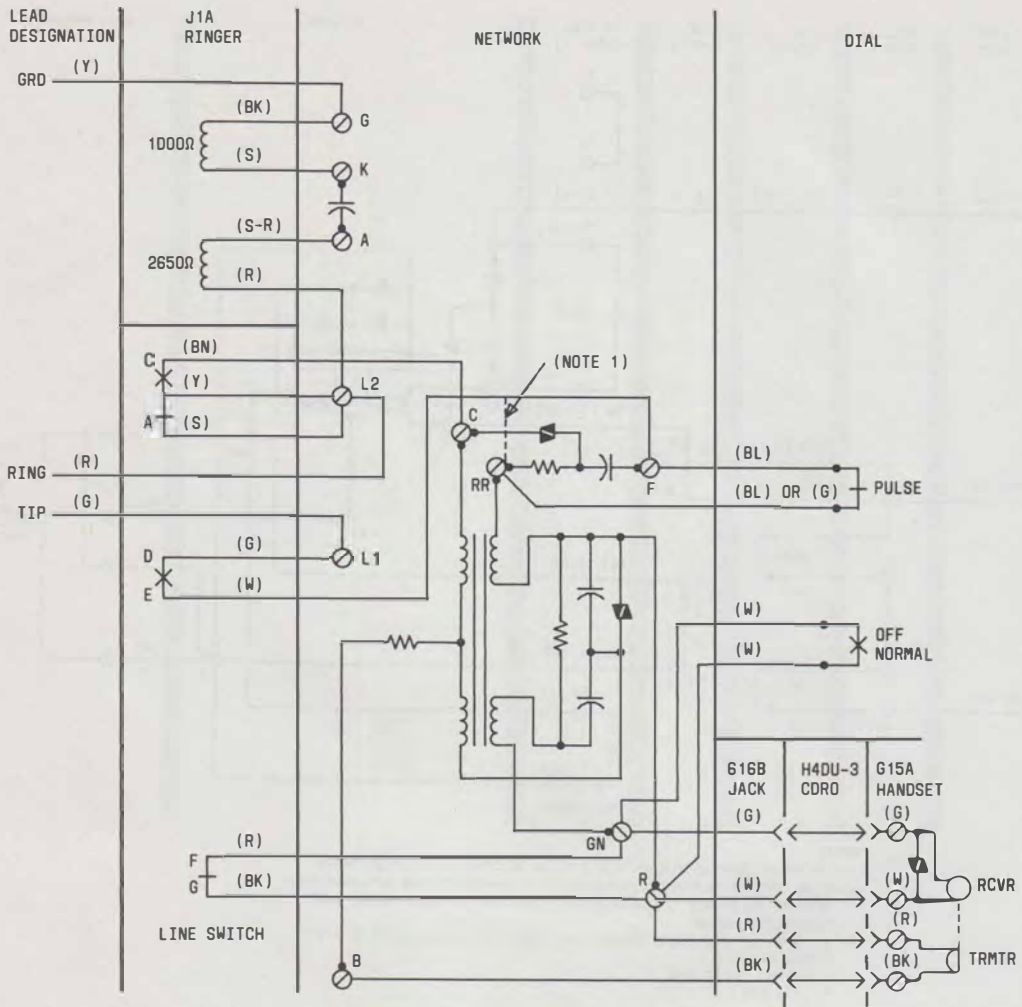
Note: Extra keys for 834854564 (P-48V456) lock assembly may be ordered from Western Electric Co. as their (840164545) part number.



NOTES:

1. FOR MANUAL SERVICE, REPLACE DIAL AND DIAL ADAPTERS WITH 80B APPARATUS BLANK. CONNECT (BL) AND (G) LEADS REMOVED FROM DIAL TO 80B APPARATUS BLANK TERMINAL BB. CONNECT (w) LEADS REMOVED FROM DIAL TO 80B APPARATUS BLANK TERMINALS SR AND BK.
 2. SET WIRE FOR RING PARTY SERVICE FOR OTHER PARTY SERVICE REFER TO RINGER CONNECTION TABLE E.
- () CURRENT COLOR CODE
 [] MD COLOR CODE

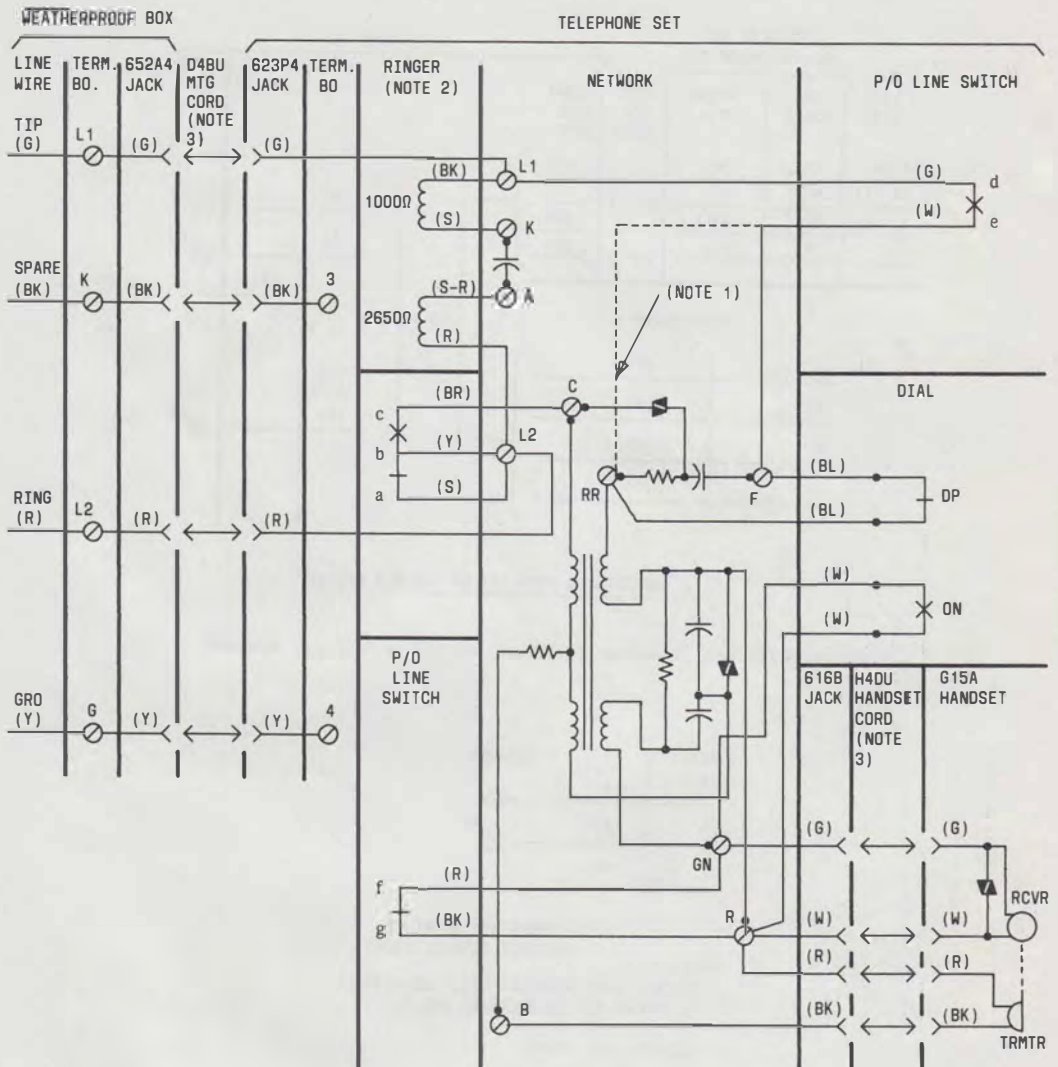
Fig. 1—526A/B Telephone Set, Connections



NOTES:

1. DASH LINE INDICATES CONNECTION FOR (W) LINE SWITCH LEAD ON MANUAL 526AM OR 526BM TELEPHONE SET WHEN DIAL IS DISCONNECTED
2. SET WIRED FOR RING PARTY SERVICE. FOR OTHER PARTY SERVICE REFER TO RINGER CONNECTION TABLE F.

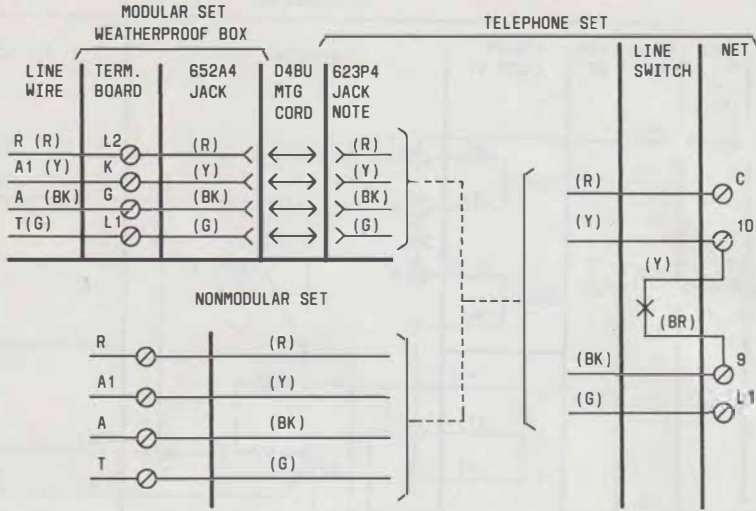
Fig. 2—526AM/BM Telephone Set, Connections (Early Version)◆



NOTES:

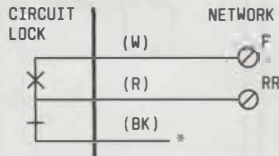
1. DASH LINE INDICATES CONNECTION FOR (W) LINE SWITCH LEAD ON MANUAL 526AM TELEPHONE SET WHEN DIAL IS REPLACED BY APARATUS BLANK.
2. SET WIRED FOR BRIDGED RINGING FOR OTHER CONNECTIONS AND TO SILENCE RINGER REFER TO TABLE F.
3. MUST BE ORDERED SEPARATELY.

Fig. 3—526AM/BM Telephone Set, Connections (Current Version Using a D-180849 Kit of Parts)†



A. ASSOCIATED WITH 1A1 OR 1A2 KEY SYSTEM

Fig. 4—526-Type Telephone Set Wired for 1A1 or 1A2 Key System



D. D-180385 KIT OF PARTS
(ELECTRIC CIRCUIT LOCK)

NOTE:
CIRCUIT LOCK DISABLES DIAL AND RESTRICTS
TELEPHONE SET TO INCOMING CALLS.

* INSULATE AND STORE

B. ELECTRIC CIRCUIT LOCK

Fig. 5—526-Type Telephone Set, Electric Circuit Lock
(Using a D-180385 Kit of Parts)

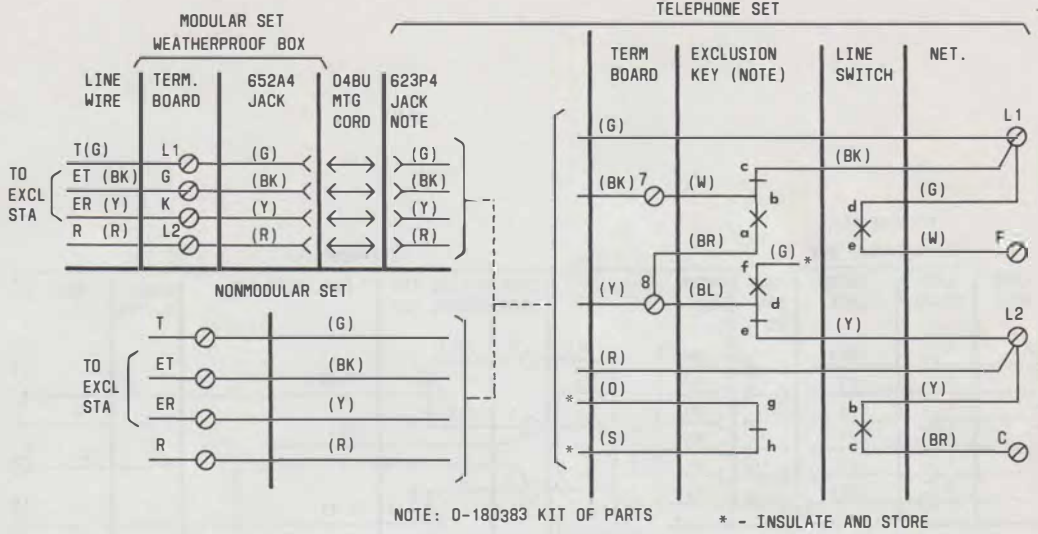


Fig. 6—526-Type Telephone Set, Wired for Exclusion (Using a D-180383, D-180849 Kit of Parts)†

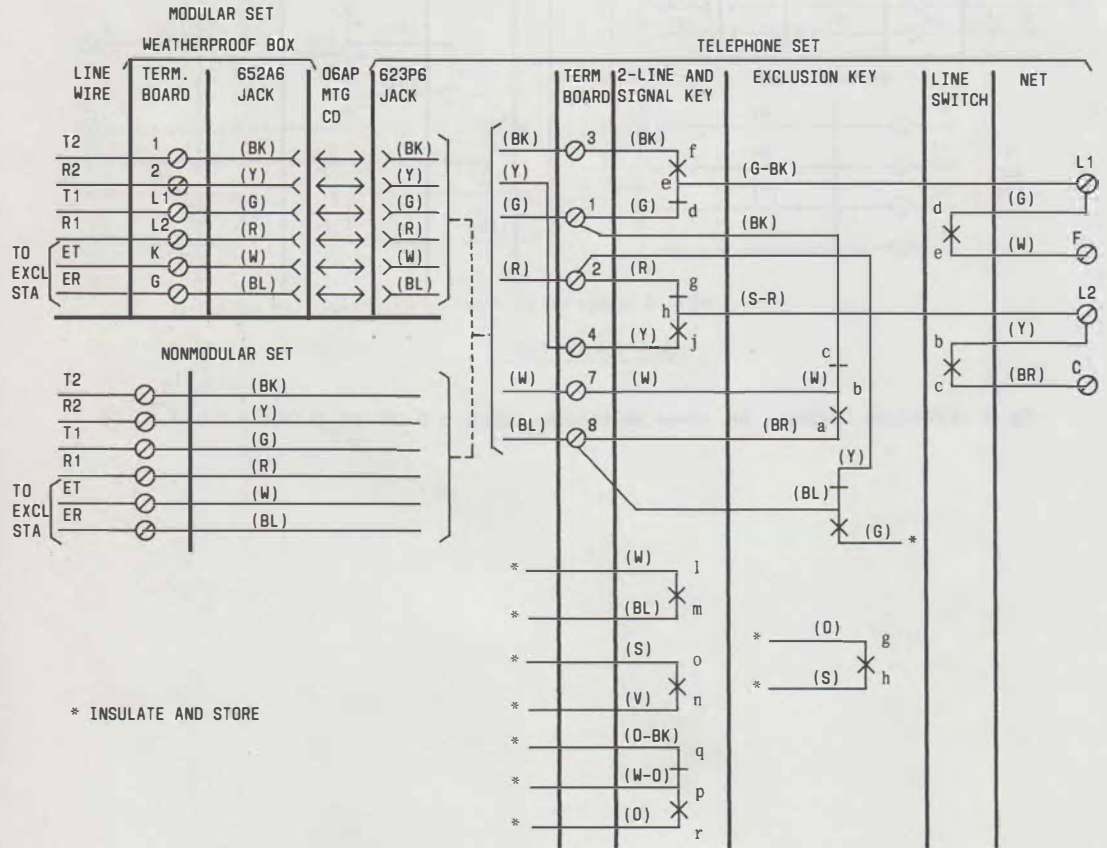
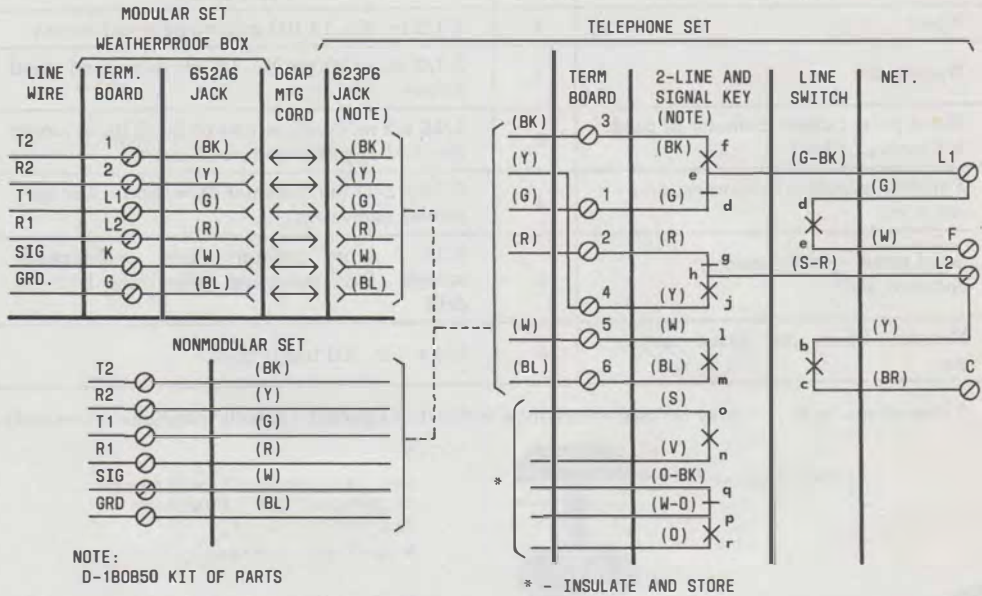


Fig. 7—526-Type Telephone Set, 2 Line Pickup and Exclusion (Using a D-180383 and D-180850 Kit of Parts)



B. 2-LINE PICKUP AND SIGNAL KEY

Fig. 8—526-Type Telephone Set, 2 Line Pickup and Signal Key (Using a D-180850 Kit of Parts)

TABLE C
FASTENERS FOR 29D BRACKET

SURFACE	QUAN	FASTENERS
Wood	4	1-1/2 in. No. 14 RH galvanized wood screws
Wood poles	4	2-1/2 in. or longer No. 14 RH galvanized wood screws
Wood poles (where diameter of pole is 8 inches or less)	2	5/16 x 3 in. coach screws or 2-1/2 in. or longer No. 14 RH galvanized wood screws
Finished masonry, brickwork, concrete, etc	4	5/16 x 2-1/4 in. hammer drive anchors, or approved equivalent.
Solid metal — metal fences, columns, etc*	4	5/16 x 1 in. cadium plated, self-tapping screws. Drill mounting holes using 9/32 in. drill
Masonry block corrugated metal, etc.	4	1/4 x 4 in. RH toggle bolts

* Iron straps, bolts, etc may be used where local instructions permit. Attach telephone set securely.

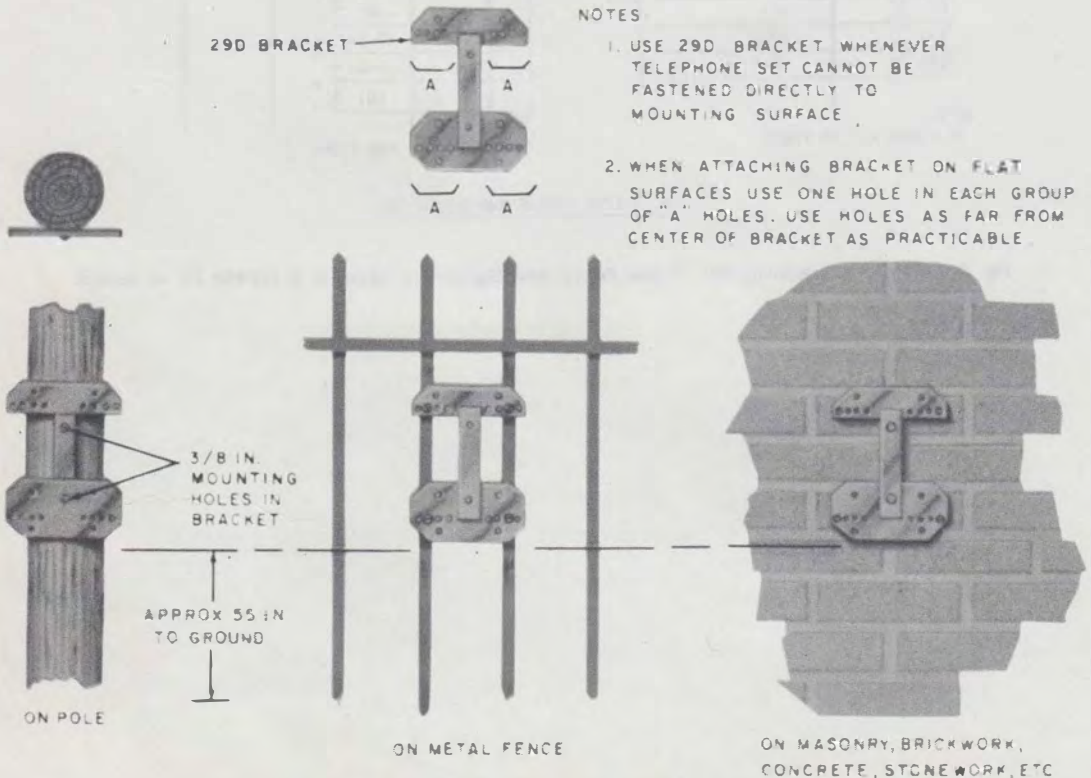


Fig. 9—29D Bracket Mounted on Various Surfaces

TABLE D
526-TYPE TELEPHONE SET CONNECTION
MODIFICATION FOR USE WITH TD2 RADIO
(D-180386 Kit of Parts)

COMPONENT OR LEAD (NOTE 1)	LEAD OR WIRE COLOR	TELEPHONE SET	
		526-TYPE (NOTE 2)	
		REMOVE FROM	CONN. TO
		NETWORK	TERM. STRIP
Receive Ckt	W-BL† BL-W‡		L1† 11
Transmit Ckt	W-O† O-W‡		12 6
Receiver Unit	W W	R GN	11 10
Trmr Unit	R BK	R B	14 13
Line Switch	W Y BR S	F L2 C L2	10 12 14 *
Signal Ckt	W-G† G-W‡		9 8
Microswitch	R G		9 8

Note:

1. Disconnect from terminal board in telephone set and connect to proper terminal on replacement terminal strip which is part of the D-180386 Kit of Parts.
2. The dial should be removed on 526B/BM telephone sets (use 253A2 faceplate).

* Insulate and store.

† Terminal on network.

‡ 6 pair inside wiring cable.

TABLE E

**526A, AM AND 526B, BM TELEPHONE SET LINE
AND RINGER CONNECTIONS**

WIRE OR LEAD		COLOR	INDIV. OR BRIDGED	RING PARTY	TIP PARTY	TIP PARTY IDENT. GROUND	
						1000 Ω	2650 Ω
Line Wire	Tip	G	L1	L1	L2	L2	L2
	Ring	R	L2	L2	L1	L1	L1
	GRD	Y†	G	G	G	G	G
	GRD	Y‡	4§	4§	4§	4§	4§
Ringer Leads	R	L2*	L2	L2	L1	K	B
	S-R†	A	A	A	A	B	G
	S-R‡	A	A	A	A	B	4§
	S	K	K	K	K	B	K
	BK†	L1	G	G	G	G	B
	BK‡	L1	4§	4§	4§	4§	B
Line Switch		S	L2	L2	L2	A	A

* Terminate (R) ringer lead on C of network when associated with 1A1 or 1A2 key telephone system.

† 526B set (526BM early version).

‡ 526BM set (current version).

§ Terminal board.

Note: To silence ringer, adjust the four-step volume control to cutoff by bending the stop tab and moving the volume control wheel to a fifth position (Section 501-256-100).

TABLE F

**CONNECTIONS FOR 526AM AND 526BM TELEPHONE SET FOR
1A1 OR 1A2 KEY SYSTEM**

LINE WIRE	WEATHERPROOF BOX			TELEPHONE SET		
	TERM. BOARD	652A4 JACK	623P4 JACK	LINE SWITCH	TERM. BOARD	NET.
T	L1	G	G			L1
R	L2	R	R			C
A1	K	Y	Y		10	
A	G	BK	BK		9	
				Y	10	
				BR	9	

TABLE G

**SINGLE LINE PICKUP AND EXCLUSION FOR 526AM AND 526BM TELEPHONE SET
(D-180385 AND D-180849 KIT OF PARTS)**

LINE WIRE	WEATHERPROOF BOX		TELEPHONE SET				
	TERM. BOARD	652A4 JACK	623P4 JACK	EXCLUSION KEY	LINE SWITCH	TERM. BOARD	NET.
T	L1	G	G				L1
R	L2	R	R				L2
ET	G	BK	BK			7	
ER	K	Y	Y			8	
				BK			L1
				Y			L2
				W		7	
				BR and BL		8	
					G		L1
					W		F
					Y		L2
					BR		C

TABLE H

TWO-LINE PICKUP AND EXCLUSION FOR 526AM AND 526BM TELEPHONE SET (D-180383 AND D-180850 KIT OF PARTS)

WEATHERPROOF BOX		TELEPHONE SET					
LINE WIRE	TERM. BOARD	652A6 JACK	623P6 JACK	TWO-LINE PICKUP	EXCLUSION KEY	TERM. BOARD	NET.
T2	1	BK	BK			3	
R2	2	Y	Y			4	
T1	L1	G	G			1	
R1	L2	R	R			2	
ET	K	W	W			7	
ER	G	BL	BL			8	
				G-BK			L1
				BK		3	
				S-R			L2
				G		1	
				R		2	
				Y		4	
					BK	1	
					W	7	
					BR	8	
					BL	8	
					Y	2	

TABLE I

TWO-LINE PICKUP AND SIGNALING FOR 526AM AND 526BM TELEPHONE SET (D-180850 KIT OF PARTS)

LINE WIRE	WEATHERPROOF BOX		TELEPHONE SET			
	TERM. BOARD	652A6 JACK	623P6 JACK	TWO-LINE PICKUP AND SIGNAL KEY	TERM. BOARD	NET.
T2	1	BK	BK		3	
R2	2	Y	Y		4	
T1	L1	G	G		1	
R1	L2	R	R		2	
GRD	G	BL	BL		6	
SIG	K	W	W		5	
				BK	3	
				G-BK		L1
				G	1	
				S-R		L2
				R	2	
				Y	4	
				W	5	
				BL	6	