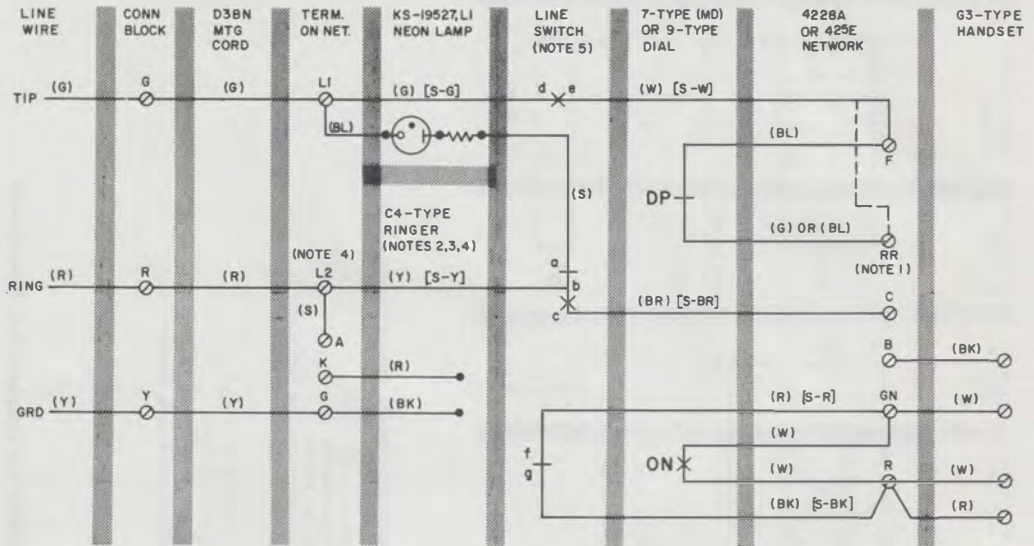


SERVICE

500W/Y AND 500WM/YM TELEPHONE SETS

1. GENERAL

1.01 Reissued to add information on the 500WM/YM (modular) telephone set, Fig. 2.



NOTES:

1. FOR MANUAL SERVICE REPLACE DIAL WITH APPARATUS BLANK. MOVE (W) [S-W] FROM "F" TO "RR" TERMINAL.
2. TO SILENCE RINGER PERMANENTLY FOR ALL CLASSES OF SERVICE, CONNECT (Y) MOUNTING CORD LEAD TO THE SAME TERMINAL AS (R) MOUNTING CORD LEAD AT CONNECTING BLOCK.
3. SET WIRED FOR RING PARTY SERVICE. FOR TIP PARTY SERVICE REVERSE (R) AND (G) MOUNTING CORD LEADS AT CONNECTING BLOCK. FOR INDIVIDUAL OR BRIDGED PARTY SERVICE CONNECT (Y) MOUNTING CORD LEAD TO G TERMINAL AT CONNECTING BLOCK.
4. CONNECTIONS FOR C4B RINGER SHOWN. IF C4A RINGER IS USED, WIRE AS FOLLOWS:
 (BK) TO G
 (S) TO K
 (S-R) TO A
 (R) TO L2
 REMOVE (S) STRAP FROM A TO L2 OF NETWORK.

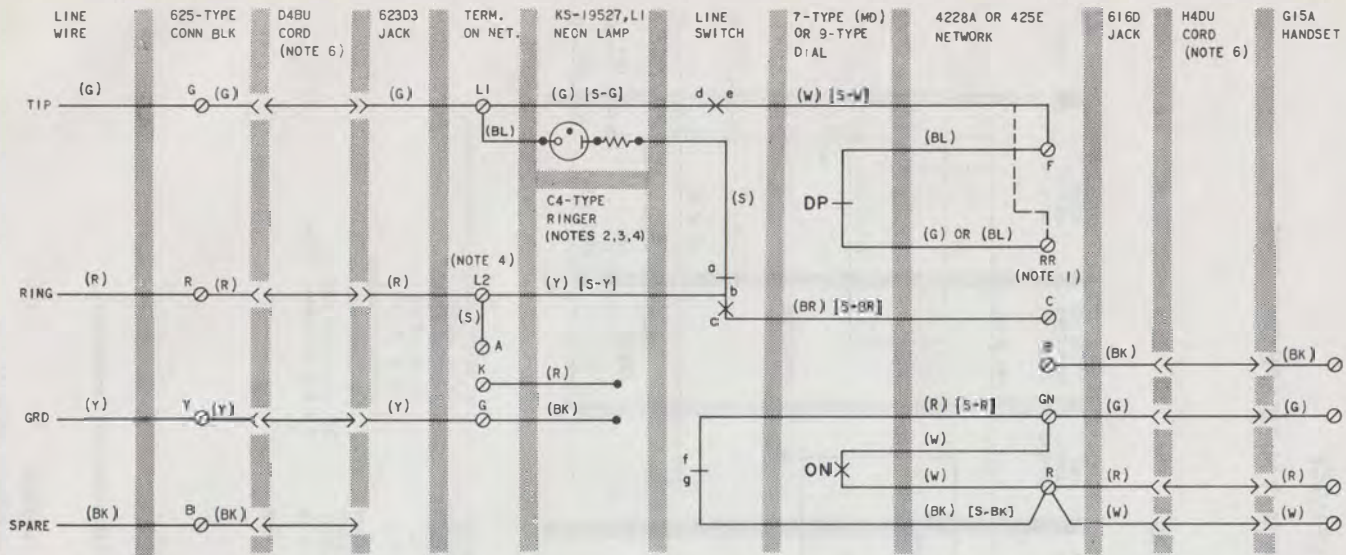
5. LINE SWITCH SEQUENCE, HANDSET REMOVED.

- (1) bc MAKES
 - (2) de MAKES
 - (3) ab BREAKS
 - (4) gf BREAKS
- () CURRENT COLOR CODE
 [] MD COLOR CODE
- DP DIAL PULSE CONTACT
 ON DIAL OFF-NORMAL CONTACT

Fig. 1 → 500W/Y Telephone Set, Connections

NOTICE

Not for use or disclosure outside the
Bell System except under written agreement



NOTES:

1. FOR MANUAL SERVICE REPLACE DIAL WITH APPARATUS BLANK. MOVE (w) [S-W] FROM "F" TO "RR" TERMINAL.
2. TO SILENCE RINGER PERMANENTLY FOR ALL CLASSES OF SERVICE, DISCONNECT, INSULATE, AND STORE (BK) RINGER LEAD.
3. SET WIRED FOR RING PARTY SERVICE. FOR TIP PARTY SERVICE REVERSE (R) AND (G) MOUNTING CORD LEADS AT CONNECTING BLOCK. FOR INDIVIDUAL OR BRIDGED PARTY SERVICE CONNECT (Y) MOUNTING CORD LEAD TO G TERMINAL AT CONNECTING BLOCK.
4. CONNECTIONS FOR C4B RINGER SHOWN. IF C4A RINGER IS USED, WIRE AS FOLLOWS:
 (BK) TO G
 (S) TO K
 (S-R) TO A
 (R) TO L2

REMOVE (S) STRAP FROM A TO L2 OF NETWORK.

5. LINE SWITCH SEQUENCE, HANDSET REMOVED.

- (1) bc MAKES
- (2) de MAKES
- (3) ab BREAKS
- (4) gf BREAKS

6. H4DU HANDSET CORD AND D4BU MOUNTING CORD MUST BE ORDERED SEPARATELY.

() CURRENT COLOR CODE
 [] MD COLOR CODE

DP DIAL PULSE CONTACT
 ON DIAL OFF-NORMAL CONTACT

Fig. 2—500WM/YM Telephone Set, Connections