

## SERVICE 501P TELEPHONE SETS

### 1. GENERAL

#### 1.01 Reissued to add nontechnical changes to Fig. 1.

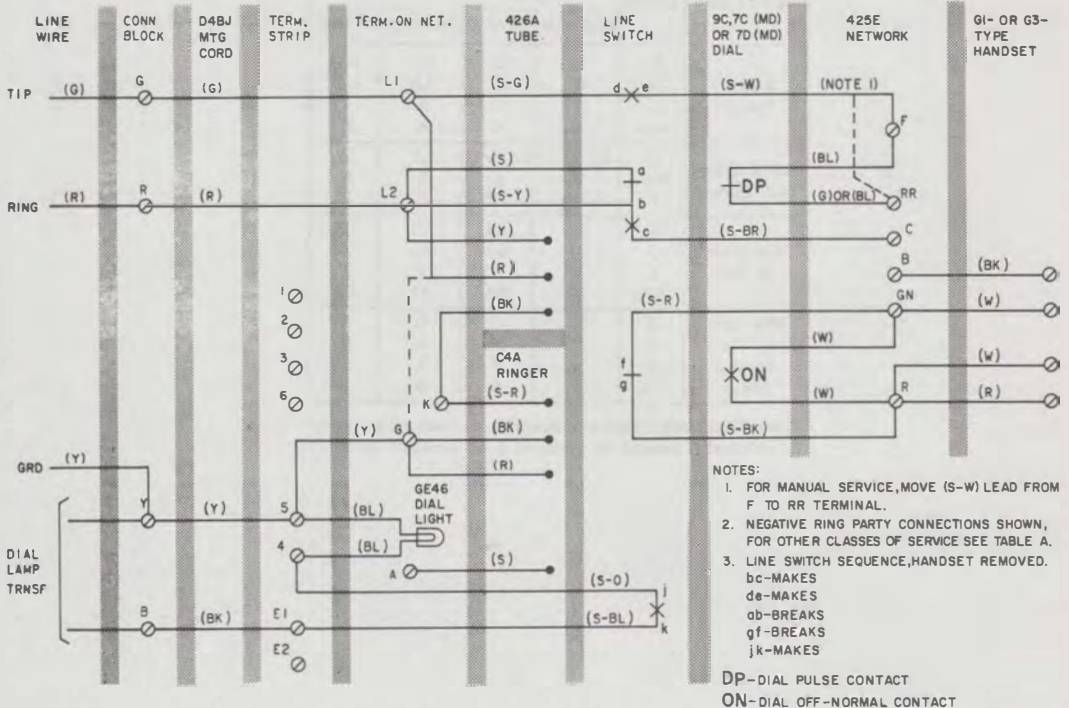


Fig. 1—501P (MD) Telephone Set, Connections

TABLE A

## LINE, RINGER, AND TUBE CONNECTIONS

WIRE OR LEAD	COLOR	NEGATIVE (-) PARTIES		POSITIVE (+) PARTIES	
		RING (1-5)	TIP (2-6)	RING (3-7)	TIP (4-8)
Ringer Leads	R	G	G	L2	L2
	BK	G	G	L2	L2
	S	A	A	A	A
	S-R	K	K	K	K
426A Tube (3-Element)	R	L1 or G	L1 or G	L2	L2
	BK	K	K	K	K
	Y	L2	L2	G	G
Mtg Cord in Set	R	L2	L2	L2	L2
	G	L1	L1	L1	L1
	Y	5	5	5	5
	BK	E1	E1	E1	E1
Mtg Cord at Con- necting Block	R	R	G	R	G
	G	G	R	G	R
	Y	Y	Y	Y	Y
	BK	B	B	B	B

*Note:* To silence ringer permanently, connect yellow strap to terminal 6 instead of terminal 5 on terminal strip.

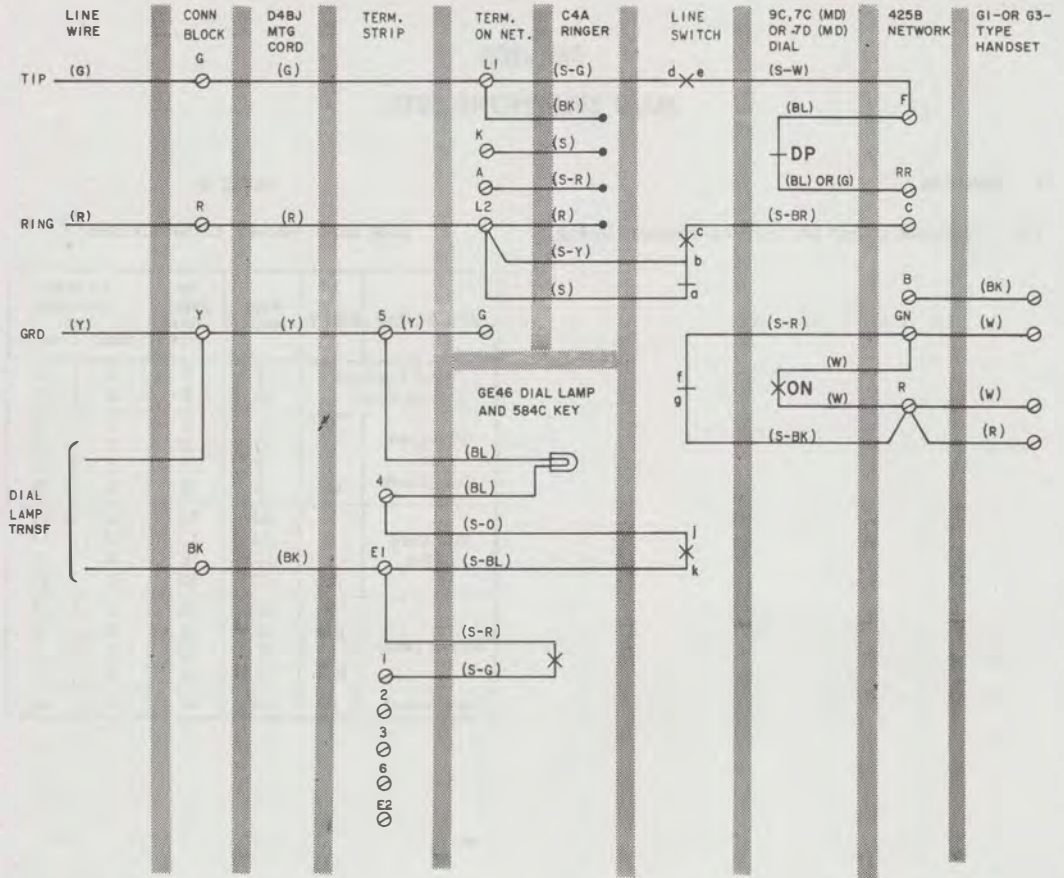
## SERVICE 500U TELEPHONE SETS

**1. GENERAL**

**1.01** Reissued to add nontechnical changes to Fig. 1.

**TABLE A  
LINE AND RINGER CONNECTIONS**

WIRE OR LEAD	COLOR	RING PARTY	TIP PARTY FLAT RATE	TIP PARTY IDENT GRD	
				1000Ω	2650Ω
Trnsf Leads at Conn Block		Y B	Y B	Y B	Y B
Mtg Cord at Conn Block	R	R	G	G	G
	G	G	R	R	R
	Y BK	Y B	Y B	Y B	Y B
Mtg Cord in Set	R	L2	L2	L2	L2
	G	L1	L1	L1	L1
	Y	5	5	5	5
	BK	E1	E1	E1	E1
Ringer Leads	R	L2	L2	K	B
	BK	G	G	G	R
	S	K	K	B	K
	S-R	A	A	B	G
Line Switch	S	L2	L2	A	A



NOTES:

1. DO NOT USE 25-FOOT MOUNTING CORD BECAUSE THE ADDED RESISTANCE MAY BE TOO HIGH FOR ADEQUATE ILLUMINATION OF LAMP.
2. SET WIRED FOR BRIDGED SERVICE. REFER TO TABLE A FOR CLASSES OF SERVICE NOT SHOWN.
3. TO SILENCE RINGER PERMANENTLY:
  - FOR ALL CLASSES OF SERVICE EXCEPT TIP PARTY IDENT. INSULATE AND STORE (R) RINGER LEAD.
  - FOR 1000Ω, INSULATE AND STORE (R) RINGER LEAD.
  - FOR 2650Ω, INSULATE AND STORE (S) RINGER LEAD.

4. LINE SWITCH SEQUENCE, HANDSET REMOVED.

bc-MAKES  
 de-MAKES  
 ob-BREAKS  
 gf-BREAKS  
 jk-MAKES  
 DP-DIAL PULSE CONTACT  
 ON-DIAL OFF-NORMAL CONTACT

Fig. 1—500U (MD) Telephone Set, Connections

## SERVICE

### 501P TELEPHONE SETS

#### 1. GENERAL

1.01 Reissued to add nontechnical changes to Fig. 1.

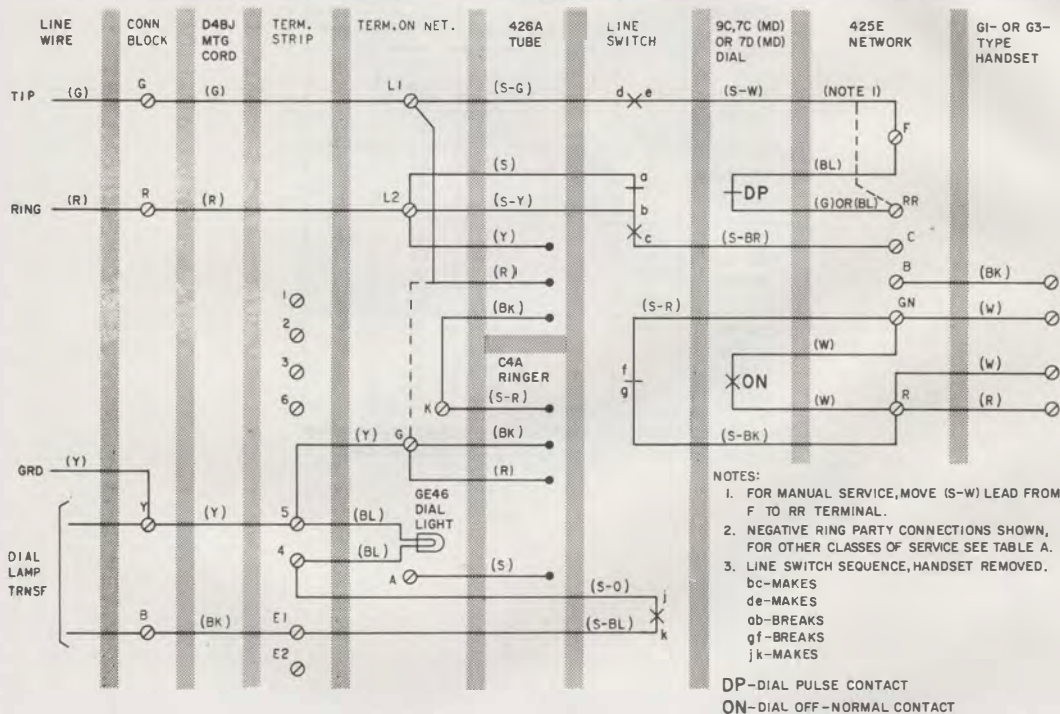


Fig. 1—501P (MD) Telephone Set, Connections

**TABLE A**  
**LINE, RINGER, AND TUBE CONNECTIONS**

WIRE OR LEAD	COLOR	NEGATIVE (-) PARTIES		POSITIVE (+) PARTIES	
		RING (1-5)	TIP (2-6)	RING (3-7)	TIP (4-8)
Ringer Leads	R	G	G	L2	L2
	BK	G	G	L2	L2
	S	A	A	A	A
	S-R	K	K	K	K
426A Tube (3-Element)	R	L1 or G	L1 or G	L2	L2
	BK	K	K	K	K
	Y	L2	L2	G	G
Mtg Cord in Set	R	L2	L2	L2	L2
	G	L1	L1	L1	L1
	Y	5	5	5	5
	BK	E1	E1	E1	E1
Mtg Cord at Con- necting Block	R	R	G	R	G
	G	G	R	G	R
	Y	Y	Y	Y	Y
	BK	B	B	B	B

*Note:* To silence ringer permanently, connect yellow strap to terminal 6 instead of terminal 5 on terminal strip.