

## SERVICE

### 2565GK AND 2565GKM TELEPHONE SETS

### CONNECTIONS

#### 1. GENERAL

- 1.01 This section contains information for the 2565GK (MD) and 2565GKM telephone sets.
- 1.02 This section is reissued to:
- Show 2565GK telephone set MD
  - Show 3-type speakerphone components MD
  - Update information, Fig. 1, 2, and 3
  - Change paragraph 2.05 to include lead designation and colors.
- 1.03 The 2565GKM modular set is similar to the 2565GK except the modular G15A handset with its associated H4DU handset cord and 616D jack assembly is used in place of the hard-wired G3A-type handset and cord.

#### 2. CONNECTIONS

- 2.01 These sets are factory-wired for use with 1A1 or 1A2 KTS, 3-type (MD) or 4A speakerphone, and individual or common line ringer. Hold feature is not provided.
- 2.02 When used with 1A KTS and speakerphone, modify sets as shown in Fig. 2.
- 2.03 Early model sets were furnished from the factory with H1A (MD) ringer, current models have H1B ringer. Provision is made for buzzer, ordered separately. Use spare pair and terminals to connect to equipment. When power failure feature is provided in the KTS, audible signal must be wired with capacitor in circuit.

2.04 If speakerphone (3-type) control unit MD is located near the telephone set, the mounting cord conductors can be extended to the control unit by using a 149-type adapter or 66E-type connecting block. If control unit is located at the key equipment, extend the leads through an A25B connector cable or inside wiring cable.

2.05 When a 2565GK (MD) or 2565GKM telephone set is not used as a speakerphone set and is multiplied with any other set furnishing speakerphone feature, speakerphone leads must be disconnected, insulated, and stored either at the telephone set or at the multiplying point. If not disconnected, the speakerphone leads will provide a common path between the circuits of the multiplied telephone sets. The leads to be removed are as follows: T1 (V-G), R1 (G-V), IT (V-BR), IR (BR-V), AG (V-S), and LK (S-V). Speakerphone connections are shown in Section 512-720-405.

2.06 Exclusion can be provided by the addition of a D-179935 Kit of Parts which must be ordered separately. Connect as shown in Table A.

2.07 Use an A20B connector cable when speakerphone and exclusion features are not provided.

2.08 When a polarity guard is required with these sets, install and connect as shown in Table B.

2.09 An 812559623 (P-25E962) terminal strip assembly is available when additional terminating points are required for auxiliary services such as buzzers, lamps, etc. Assembly must be ordered separately.

2.10 Installation instructions for the exclusion switch, polarity guard, and auxiliary terminal strip are given in Reference Section 502-500-120.

#### NOTICE

Not for use or disclosure outside the  
Bell System except under written agreement

2.11 All convertible key positions are supplied as pickup keys. To convert from pickup (locking) to signaling (nonlocking), remove the screw detail from key positions involved. Make necessary wiring changes as shown in Table C.

2.04 - If a...  
2.05 - When...  
2.06 - The...  
2.07 - The...  
2.08 - The...  
2.09 - The...  
2.10 - The...  
2.11 - The...  
2.12 - The...  
2.13 - The...  
2.14 - The...  
2.15 - The...  
2.16 - The...  
2.17 - The...  
2.18 - The...  
2.19 - The...  
2.20 - The...  
2.21 - The...  
2.22 - The...  
2.23 - The...  
2.24 - The...  
2.25 - The...  
2.26 - The...  
2.27 - The...  
2.28 - The...  
2.29 - The...  
2.30 - The...  
2.31 - The...  
2.32 - The...  
2.33 - The...  
2.34 - The...  
2.35 - The...  
2.36 - The...  
2.37 - The...  
2.38 - The...  
2.39 - The...  
2.40 - The...  
2.41 - The...  
2.42 - The...  
2.43 - The...  
2.44 - The...  
2.45 - The...  
2.46 - The...  
2.47 - The...  
2.48 - The...  
2.49 - The...  
2.50 - The...  
2.51 - The...  
2.52 - The...  
2.53 - The...  
2.54 - The...  
2.55 - The...  
2.56 - The...  
2.57 - The...  
2.58 - The...  
2.59 - The...  
2.60 - The...  
2.61 - The...  
2.62 - The...  
2.63 - The...  
2.64 - The...  
2.65 - The...  
2.66 - The...  
2.67 - The...  
2.68 - The...  
2.69 - The...  
2.70 - The...  
2.71 - The...  
2.72 - The...  
2.73 - The...  
2.74 - The...  
2.75 - The...  
2.76 - The...  
2.77 - The...  
2.78 - The...  
2.79 - The...  
2.80 - The...  
2.81 - The...  
2.82 - The...  
2.83 - The...  
2.84 - The...  
2.85 - The...  
2.86 - The...  
2.87 - The...  
2.88 - The...  
2.89 - The...  
2.90 - The...  
2.91 - The...  
2.92 - The...  
2.93 - The...  
2.94 - The...  
2.95 - The...  
2.96 - The...  
2.97 - The...  
2.98 - The...  
2.99 - The...  
3.00 - The...

3.01 - The...  
3.02 - The...  
3.03 - The...  
3.04 - The...  
3.05 - The...  
3.06 - The...  
3.07 - The...  
3.08 - The...  
3.09 - The...  
3.10 - The...  
3.11 - The...  
3.12 - The...  
3.13 - The...  
3.14 - The...  
3.15 - The...  
3.16 - The...  
3.17 - The...  
3.18 - The...  
3.19 - The...  
3.20 - The...  
3.21 - The...  
3.22 - The...  
3.23 - The...  
3.24 - The...  
3.25 - The...  
3.26 - The...  
3.27 - The...  
3.28 - The...  
3.29 - The...  
3.30 - The...  
3.31 - The...  
3.32 - The...  
3.33 - The...  
3.34 - The...  
3.35 - The...  
3.36 - The...  
3.37 - The...  
3.38 - The...  
3.39 - The...  
3.40 - The...  
3.41 - The...  
3.42 - The...  
3.43 - The...  
3.44 - The...  
3.45 - The...  
3.46 - The...  
3.47 - The...  
3.48 - The...  
3.49 - The...  
3.50 - The...  
3.51 - The...  
3.52 - The...  
3.53 - The...  
3.54 - The...  
3.55 - The...  
3.56 - The...  
3.57 - The...  
3.58 - The...  
3.59 - The...  
3.60 - The...  
3.61 - The...  
3.62 - The...  
3.63 - The...  
3.64 - The...  
3.65 - The...  
3.66 - The...  
3.67 - The...  
3.68 - The...  
3.69 - The...  
3.70 - The...  
3.71 - The...  
3.72 - The...  
3.73 - The...  
3.74 - The...  
3.75 - The...  
3.76 - The...  
3.77 - The...  
3.78 - The...  
3.79 - The...  
3.80 - The...  
3.81 - The...  
3.82 - The...  
3.83 - The...  
3.84 - The...  
3.85 - The...  
3.86 - The...  
3.87 - The...  
3.88 - The...  
3.89 - The...  
3.90 - The...  
3.91 - The...  
3.92 - The...  
3.93 - The...  
3.94 - The...  
3.95 - The...  
3.96 - The...  
3.97 - The...  
3.98 - The...  
3.99 - The...  
4.00 - The...

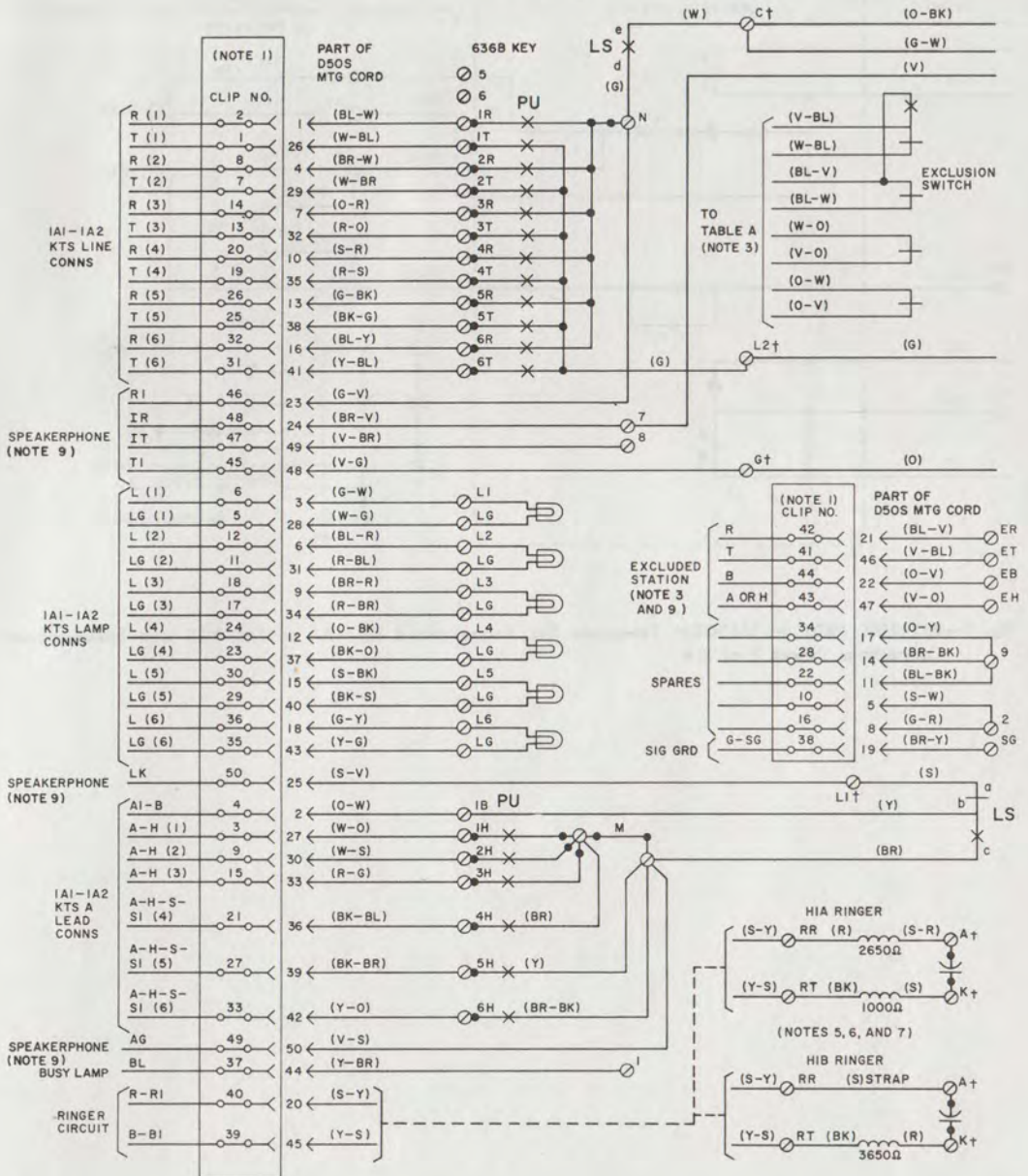


Fig. 1—2565GK (MD) or 2565GKM Telephone Set, Factory-Wired for 1A1 or 1A2 KTS and Speakerphone Connections (Sheet 1 of 3)

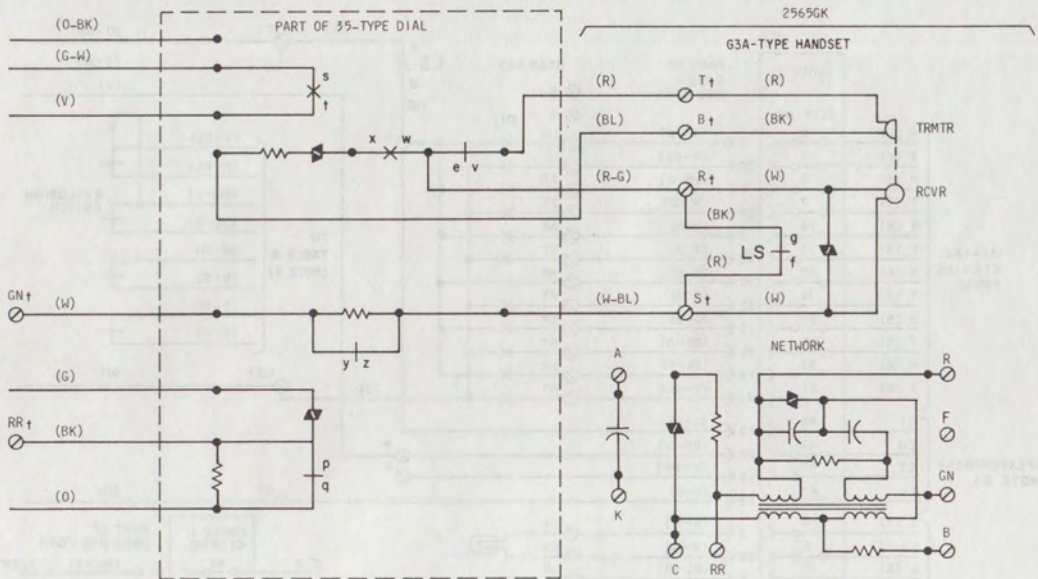
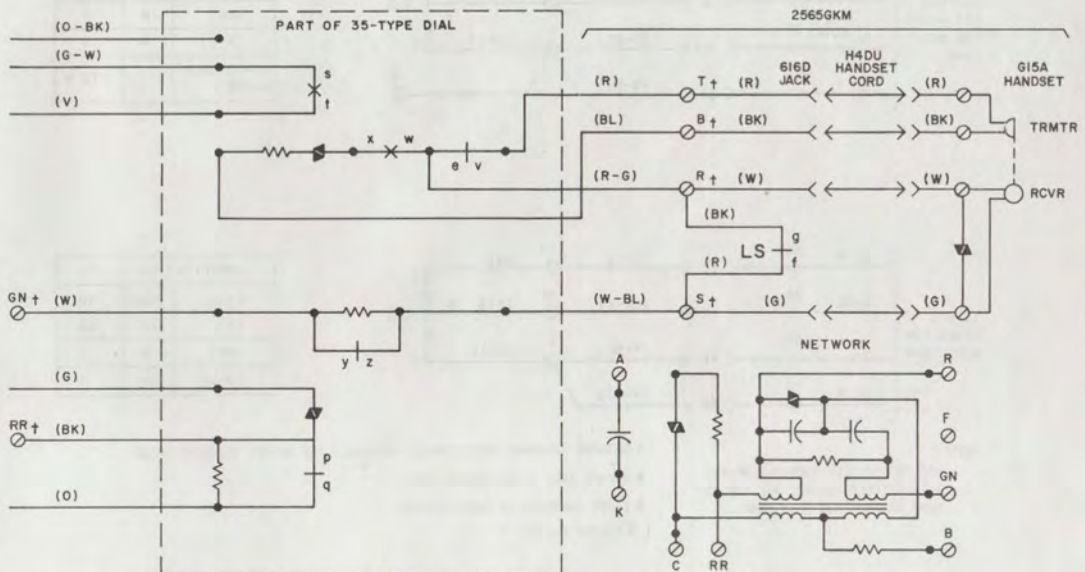


Fig. 1—2565GK (MD) or 2565GKM Telephone Set, Factory-Wired for 1A1 or 1A2 KTS and Speakerphone Connections (Sheet 2 of 3)



## NOTES:

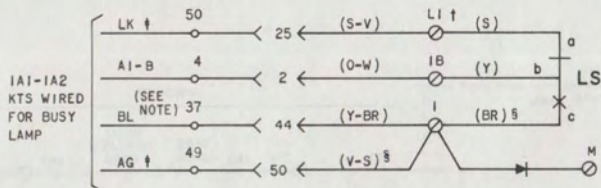
- 66E-TYPE CONNECTING BLOCK SHOWN. MOUNTING CORD MAY BE PLUGGED DIRECTLY INTO CONNECTOR CABLE. COLORS AND PIN NUMBERS FOR CONNECTOR CABLE ARE SAME AS MOUNTING CORD.
- AUXILIARY BUZZER MAY BE INSTALLED. USE SPARE LEADS AND TERMINALS TO CONNECT TO EQUIPMENT.
- IF EXCLUSION FEATURE IS ADDED, CONNECT SWITCH LEADS PER TABLE A.
- DISCONNECT TI, RI, IT, IR, AG, AND LK LEADS WHEN SETS NOT EQUIPPED WITH 3-TYPE(MD) SPEAKERPHONE ARE MULTIPLIED. DISCONNECT AT THE SET.
- FOR BRIDGED RINGER ON ANY LINE USING H1A RINGER, CONNECT (R) RINGER LEAD TO RING AND (BK) RINGER LEAD TO TIP OF LINE INVOLVED. FOR BRIDGED RINGER ON ANY LINE USING H1B RINGER, REMOVE (S) STRAP LEAD FROM RR (KEY TERMINAL BOARD) AND CONNECT TO RING AND (BK) RINGER LEAD TO TIP OF LINE INVOLVED.
- IF CAPACITOR IS NOT REQUIRED IN RINGER CIRCUIT, MOVE (S) RINGER LEAD TO A OF NETWORK FOR H1A RINGER AND (R) RINGER LEAD TO A OF NETWORK FOR H1B RINGER.
- TO SILENCE RINGER PERMANENTLY, REFER TO APPROPRIATE SECTION IN DIVISION 501.
- TO PREVENT A FALSE HOLD CONDITION WHEN GOING ON HOOK THE TIP AND RING LINE SWITCH CONTACTS MUST BREAK BEFORE "A" LEAD CONTACTS BREAK.
- USE AN 120B CONNECTOR CABLE WHEN SPEAKERPHONE AND EXCLUSION FEATURES ARE NOT PROVIDED.

LS- LINE SWITCH

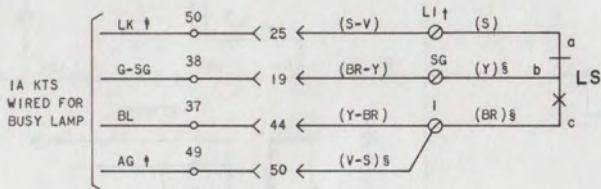
PU- PICKUP KEY

† - NETWORK TERMINAL. UNDESIGNATED TERMINALS ARE ON KEY TERMINAL BOARD.

Fig. 1—2565GK (MD) or 2565GKM Telephone Set, Factory-Wired for 1A1 or 1A2 KTS and Speakerphone Connections (Sheet 3 of 3)♦



MODIFICATION IA1-IA2 KTS		
LEAD	FROM	TO
(BR)	M	I
(V-S)	M	I
KS-15724LI DIODE		I TO M



MODIFICATION IA KTS		
LEAD	FROM	TO
(Y)	IB	SG
(BR)	M	I
(V-S)	M	I

NOTE:

USE "B" BATTERY SUPPLY FROM KTS IF AVAILABLE, DO NOT USE 10V AC LAMP BATTERY FOR BUSY LAMP.

† NETWORK TERMINAL, UNDESIGNATED TERMINALS ARE ON KEY TERMINAL BOARD.

‡ 3-TYPE (MD) SPEAKERPHONE LEAD

§ LEADS INVOLVED IN MODIFICATION

LS - LINE SWITCH

Fig. 2—Station Busy Lamp Circuit with 3-Type (MD) Speakerphone

TABLE A  
EXCLUSION KEY CONNECTIONS

EXCLUSION	KEY TEL SYS	EXCLUSION KEY LEADS							
		BL-W	W-BL	O-W	W-O	BL-V	V-BL	O-V	V-O
On any line	1A	R*	T*	1B†	H*	ER	ET	EB	EH
	1A1 or 1A2	R*	T*	EB	H*	ER	ET	EB	EH

\* Terminal of line involved.

† When other than line 1 is excluded on 1A KTS, disconnect, insulate, and store O-W mounting cord conductor from terminal 1B; connect balance lead conductor from line involved to 1B.

**Note:** If exclusion feature is used, remove all B leads except one being used from key terminal board; insulate and store.

TABLE B  
POLARITY GUARD CONNECTIONS  
(819040528 OR P-90D052 GUARD ASSEMBLY)

LEAD		REMOVE FROM		CONNECT TO	
		NET.	NET.	POLARITY GUARD	
Dial	BK G-W	RR C		T S	
Line Switch	W	C		S	
Polarity Guard	G W		RR C		

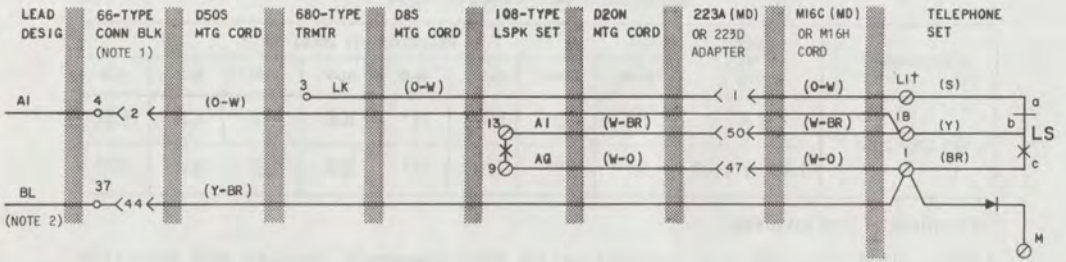
TABLE C  
PICKUP-SIGNAL KEY CONVERSION

KEY TEL SET	CONVERSION OPTIONS (NOTE)	636B KEY LEADS		
		(BR)	(Y)	(BR-BK)
2565GK (MD) or 2565GKM	PPPPPP	M	M	M
	PPPPPS	M	M	SG
	PPPPSS	M	SG	SG
	PPSSSS	SG	SG	SG
	PPPPP*S*	M	6H	†
	PPPP*P*S*	6H	6H	†

**Note:** To convert from pickup (locking) to signal (nonlocking), remove 811218924 (P-12A892) screw from the plunger at key position being converted.

\* These arrangements use line switch controlled ground for common signal key used with private or intercommunicating lines. Common signal should be used to operate a common signal relay. Do not wire directly to a buzzer.

† Connect with the (BR) line switch lead using the terminal shown for proper option and KTS required.

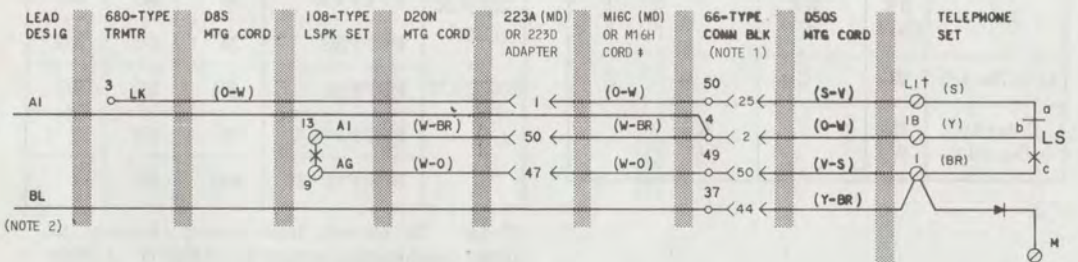


MODIFICATION IA1-IA2 KTS		
LEAD	FROM	TO
(BR)	M	I
(W-O)	M	I
KS-15724LI DIODE		I TO M
(S-V)	LI†	*
(V-S)	M	*

NOTES:

- 66-TYPE CONNECTING BLOCK SHOWN. MTG CORD MAY BE PLUGGED DIRECTLY INTO CONNECTOR CABLE. COLORS AND PIN NUMBERS FOR CONNECTOR CABLE ARE SAME AS MTG CORD.
- USE "B" BATTERY SUPPLY FROM KTS IF AVAILABLE, DO NOT USE 10V AC LAMP BATTERY FOR BUSY LAMP.

A. IA1-IA2 KTS WIRED FOR BUSY LAMP WITH M16C (MD) OR M16H CORD TERMINATED IN TEL SET



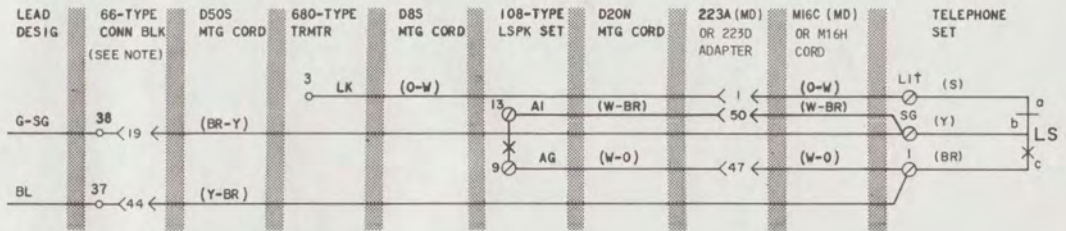
MODIFICATION IA1-IA2 KTS		
LEAD	FROM	TO
(BR)	M	I
(V-S)	M	I
KS-15724LI DIODE		I TO M

- \* INSULATE AND STORE
  - † NETWORK TERMINAL, UNDESIGNATED TERMINALS ARE ON KEY TERMINAL BOARD
  - ‡ 161A ADAPTERS REQUIRED TO CONNECT M16C (MD) OR M16H CORD AT 66-TYPE CONN BLK
- LS LINE SWITCH

B. IA1-IA2 KTS WIRED FOR BUSY LAMP WITH M16C (MD) OR M16H CORD TERMINATED AT 66-TYPE CONN BLK

Fig. 3—Station Busy Lamp Circuit with 4A Speakerphone (Sheet 1 of 2)



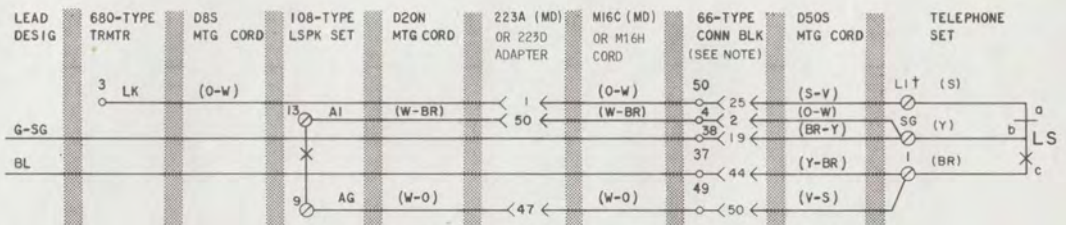


MODIFICATION 1A KTS		
LEAD	FROM	TO
(Y)	IB	SG
(BR)	M	I
(W-0)	M	I
(S-V)	LI†	*
(V-S)	M	*
(W-BR)	IB	SG

## NOTE:

66-TYPE CONNECTING BLOCK SHOWN. MTG CORD MAY BE PLUGGED DIRECTLY INTO CONNECTOR CABLE. COLORS AND PIN NUMBERS FOR CONNECTOR CABLE ARE SAME AS MTG CORD.

A. 1A KTS WIRED FOR BUSY LAMP WITH M16C (MD) OR M16H CORD TERMINATED IN TEL SET



MODIFICATION 1A KTS		
LEAD	FROM	TO
(Y)	IB	SG
(BR)	M	I
(V-S)	M	I
(O-W)	IB	SG

\* INSULATE AND STORE  
 † NETWORK TERMINAL. UNDESIGNATED TERMINALS ARE ON KEY TERMINAL BOARD  
 ‡ 161A ADAPTERS REQUIRED TO CONNECT M16C (MD) OR M16H CORD AT 66-TYPE CONN BLK  
 LS LINE SWITCH

B. 1A KTS WIRED FOR BUSY LAMP WITH M16C (MD) OR M16H CORD TERMINATED AT 66-TYPE CONN BLK

Fig. 3—Station Busy Lamp Circuit with 4A Speakerphone (Sheet 2 of 2)