

## SERVICE

### 565LK AND 565LKM TELEPHONE SETS

#### 1. GENERAL

1.01 This section provides connection information for the 565LK (MD) and 565LKM telephone sets (Fig. 1).

1.02 Reissued to:

- Show 565LK telephone set MD
- Change 2.10 to include lead colors
- Revise Fig. 1, spare leads insulated and stored, change Note 4

1.03 ♦The 565LKM modular telephone set is similar to the 565LK except the modular G15A handset with its associated H4DU handset cord and 616D jack assembly is used in place of the hard-wired G3A-type handset and cord.♦

#### 2. CONNECTIONS

2.01 These sets are factory-wired for use with 1A1 or 1A2 KTS, 3-type or 4A speakerphone, and individual or common line ringer.

2.02 When used with 1A KTS and optional features, modify set as shown in Fig. 2 or 3.

2.03 The hold key position can be illuminated, but 51A lamp is not furnished with set and must be ordered separately.

2.04 The 4th key position is convertible from line pickup (locking) to signaling (nonlocking) by removal of the 811218924 (P-12A892) screw detail. Arrange wiring as shown in Table A.

2.05 These telephone sets are factory-equipped with a KS-20419L1 (10 volt ac only) buzzer.

2.06 Cutoff of internal station ringer or buzzer can be made using the cutoff key on the 589AJ key. Arrange wiring as shown in Table B. To cutoff an external circuit, arrange wiring as shown in Table C.

2.07 Early model sets were furnished from the factory with H1A (MD) ringer, current models have H1B ringer.

2.08 A 812559623 (P-25E962) auxiliary terminal strip (ordered separately) is available for auxiliary services such as buzzers, lamps, etc.

2.09 A D-179935 Kit of Parts (ordered separately) can be installed in the 565LK set when the exclusion feature is required. Connections are made in accordance with Table D.

2.10 When a 565LK or 565LKM telephone set is not used as a speakerphone set and is multiplied with any other set furnishing speakerphone feature, speakerphone leads must be disconnected, insulated, and stored either at the telephone set or at the multiplying point. If not disconnected, the speakerphone leads will provide a common path between the circuits of the multiplied telephone sets. The leads to be removed are as follows: T1 (V-G), R1 (G-V), P3 (V-BR), P4 (BR-V), AG (V-S), and LK (S-V). Speakerphone connections are shown in Division 512.

2.11 Installation of optional items such as exclusion, auxiliary terminal strip, etc., and maintenance information common to 6-button sets can be found in Section 502-500-120.

#### NOTICE

Not for use or disclosure outside the  
Bell System except under written agreement

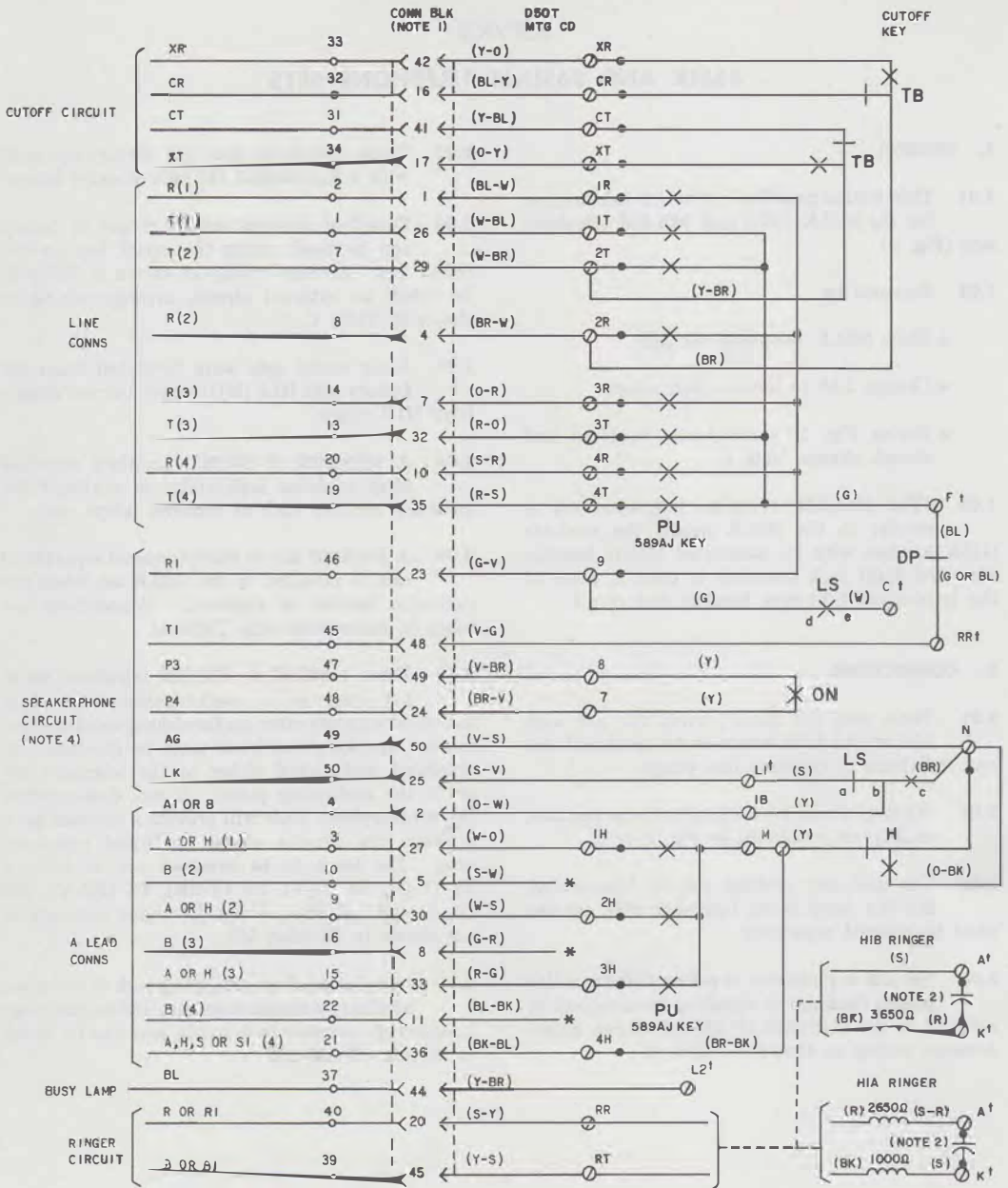


Fig. 1—565LK (MD) or 565LKM Telephone Set, Connections (Sheet 1 of 2)

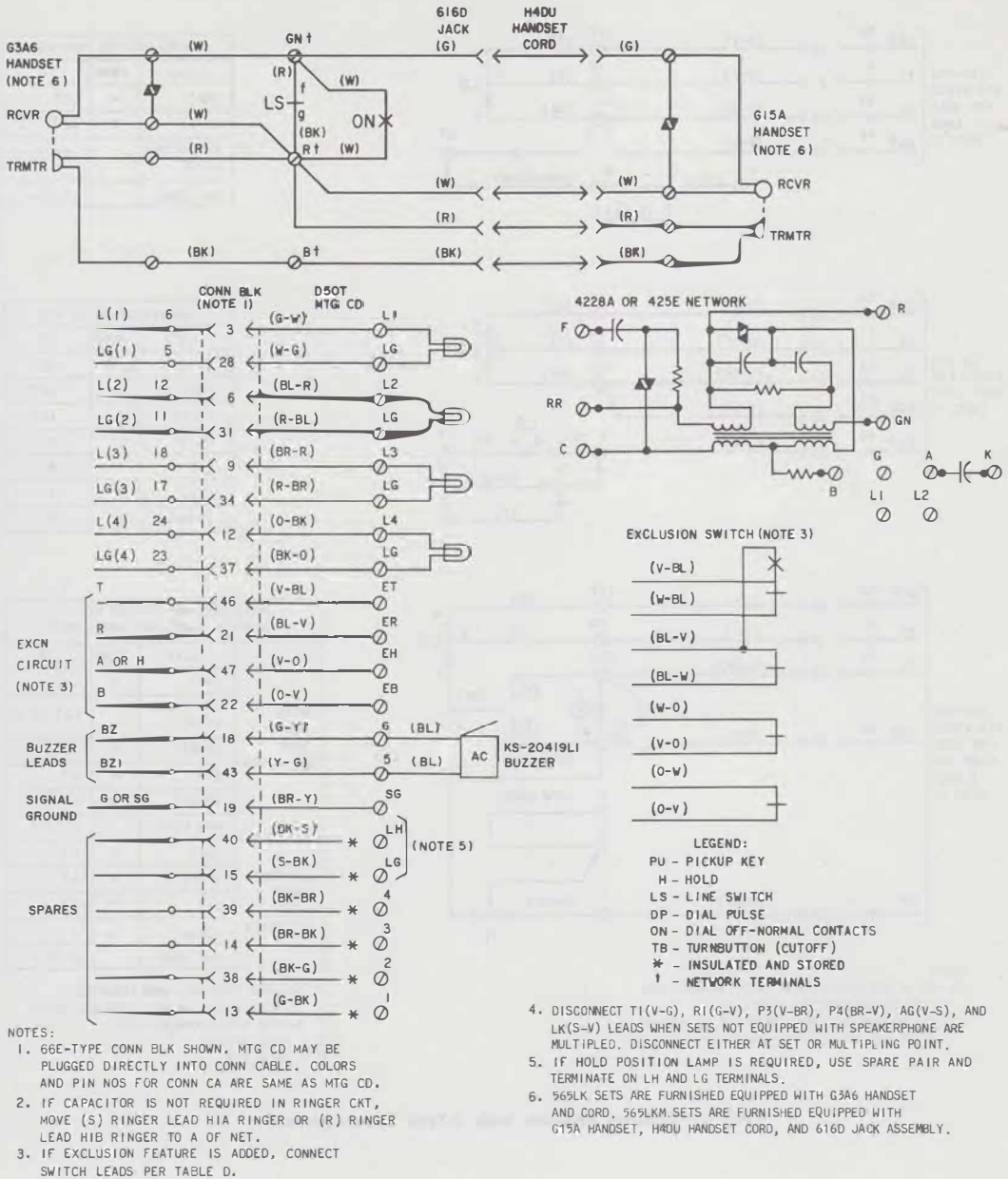
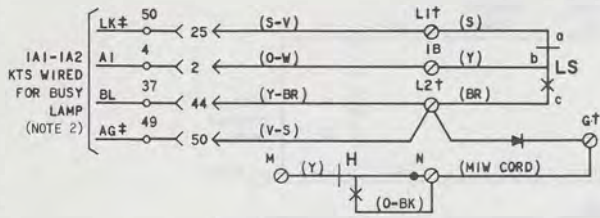
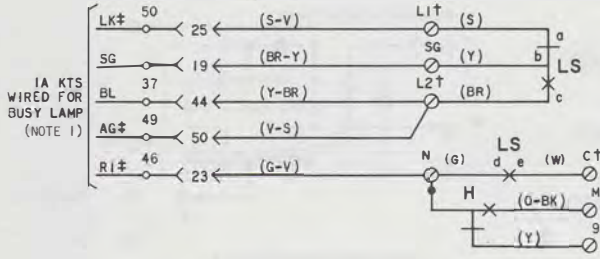


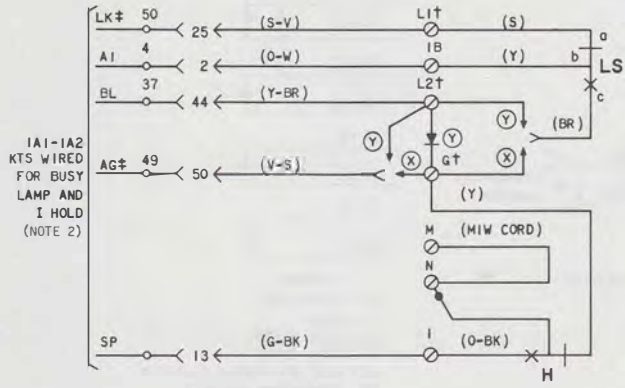
Fig. 1—565LK (MD) or 565LKM Telephone Set, Connections (Sheet 2 of 2)



MODIFICATION IA1-IA2 KTS		
LEAD	FROM	TO
(BR)	N	L2†
(V-S)	N	L2†
KS-15724LI DIODE		L2† TO G†
MIW CORD		G† TO N



MODIFICATION IA KTS		
LEAD	FROM	TO
(Y)	IB	SG
(BR)	N	L2†
(V-S)	N	L2†
(G-V)	9	N
(G)	9	N
(Y)	M	9
(O-BK)	N	M

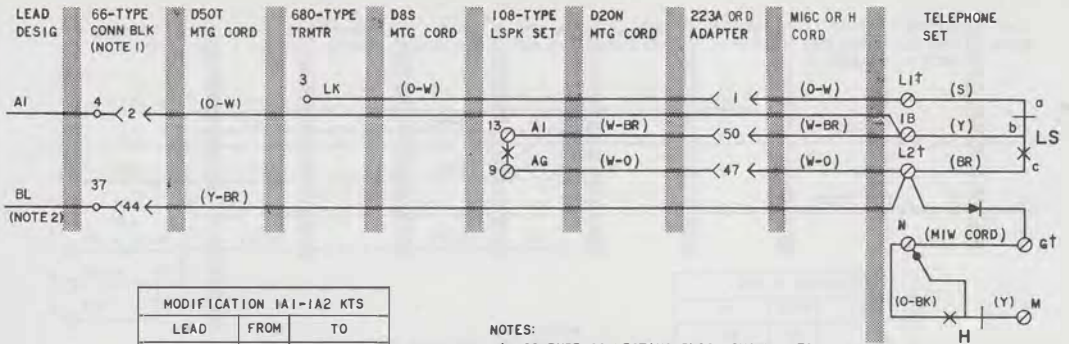


MODIFICATION IA1-IA2 KTS STATION BUSY LAMP AND I HOLD			
	LEAD	FROM	TO
WITH BUSY LAMP ⊙ OPTION	(BR)	N	L2†
	KS-15724LI DIODE		L2† TO G†
	(V-S)	N	L2†
	(Y)	M	G†
	(O-BK)	N	I
	MIW CORD		N TO M
WITHOUT BUSY LAMP ⊗ OPTION	(BR)	N	G†
	(V-S)	N	G†
	(Y)	M	G†
	(O-BK)	N	I
	MIW CORD		N TO M

- NOTES:
1. FOR IA KTS WITHOUT BUSY LAMP, INSULATE AND STORE (Y-BR) D50T MTG CORD LEAD.
  2. USE "B" BATTERY SUPPLY FROM KTS IF AVAILABLE. DO NOT USE 10V AC LAMP BATTERY FOR BUSY LAMP.

† NETWORK TERMINAL-UNDESIGNATED  
TERMINALS ARE ON KEY TERMINAL BOARD  
‡ 3-TYPE SPEAKERPHONE LEAD  
LS - LINE SWITCH  
H - HOLD KEY

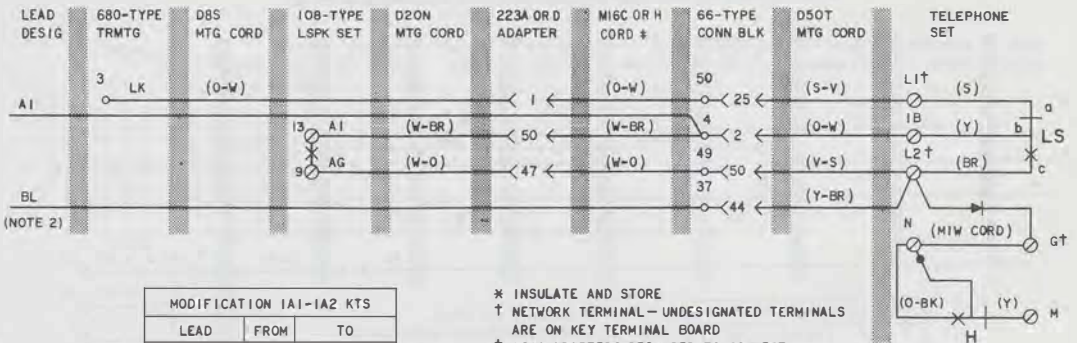
Fig. 2—Optional Features with 3-Type Speakerphone



MODIFICATION 1A1-1A2 KTS		
LEAD	FROM	TO
(BR)	N	L2†
(W-O)	N	L2†
KS-15724L1 DIODE		L2† TO G†
MIW CORD		N TO G†
(S-V)	L1†	*
(O-W)	IB	*

- NOTES:
1. 66-TYPE CONNECTING BLOCK SHOWN. MTG CORD MAY BE PLUGGED DIRECTLY INTO CONNECTOR CABLE. COLORS AND PIN NUMBERS FOR CONNECTOR CABLE ARE SAME AS MTG CORD.
  2. USE "B" BATTERY SUPPLY FROM KTS IF AVAILABLE. DO NOT USE 10V AC LAMP BATTERY FOR BUSY LAMP.

A. 1A1-1A2 KTS WIRED FOR BUSY LAMP WITH M16C OR H CORD TERMINATED IN TEL SET

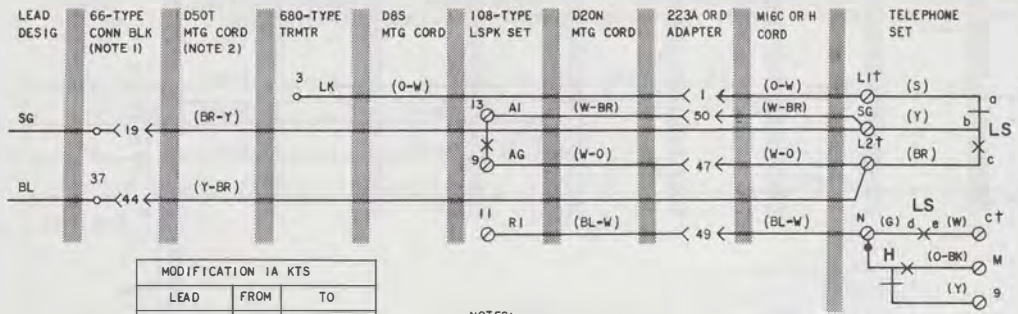


MODIFICATION 1A1-1A2 KTS		
LEAD	FROM	TO
(BR)	N	L2†
(V-S)	N	L2†
KS-15724L1 DIODE		L2† TO G†
MIW CORD		N TO G†

- \* INSULATE AND STORE
- † NETWORK TERMINAL - UNDESIGNATED TERMINALS ARE ON KEY TERMINAL BOARD
- ‡ 161A ADAPTERS REQUIRED TO CONNECT M16C OR H CORD AT 66-TYPE CONN BLK
- LS - LINE SWITCH
- H - HOLD KEY

B. 1A1-1A2 KTS WIRED FOR BUSY LAMP WITH M16C OR H CORD TERMINATED AT 66-TYPE CONN BLK

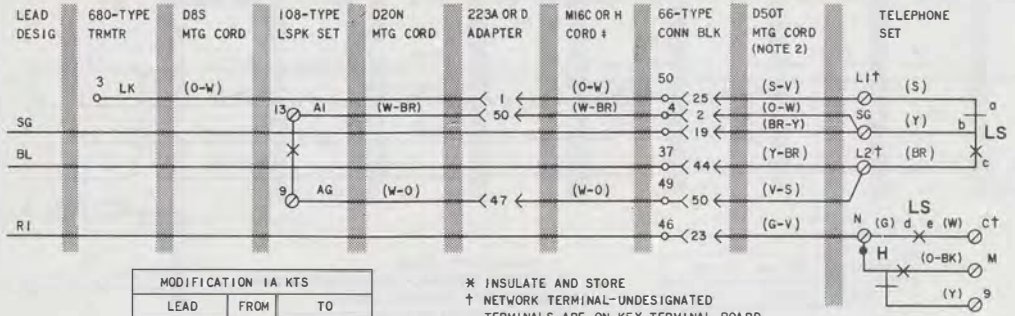
Fig. 3—Optional Features with 4A Speakerphone (Sheet 1 of 3)



MODIFICATION IA KTS		
LEAD	FROM	TO
(Y)	1B	SG
(BR)	N	L2†
(W-0)	N	L2†
(BL-W)	9	N
(G)	9	N
(Y)	M	9
(O-BK)	N	M
(S-V)	L1†	*
(V-S)	N	*
(G-V)	9	*
(W-BR)	1B	SG

- NOTES:
- 66-TYPE CONNECTING BLOCK SHOWN. MTG CORD MAY BE PLUGGED DIRECTLY INTO CONNECTOR CABLE. COLORS AND PIN NUMBERS FOR CONNECTOR CABLE ARE SAME AS MTG CORD.
  - FOR IA KTS WITHOUT BUSY LAMP, INSULATE AND STORE (Y-BR) D50T MTG CORD LEAD.

A. IA KTS WIRED FOR BUSY LAMP WITH M16C OR H CORD TERMINATED IN TEL SET

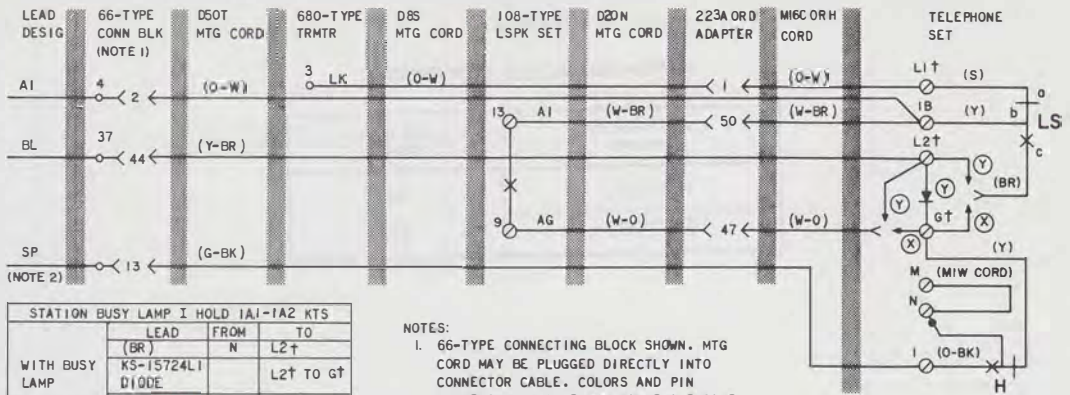


MODIFICATION IA KTS		
LEAD	FROM	TO
(Y)	1B	SG
(BR)	N	L2†
(V-S)	N	L2†
(G-V)	9	N
(G)	9	N
(Y)	M	9
(O-BK)	N	M
(O-W)	1B	SG

- \* INSULATE AND STORE  
 † NETWORK TERMINAL-UNDESIGNATED TERMINALS ARE ON KEY TERMINAL BOARD  
 ‡ 161A ADAPTERS REQUIRED TO CONNECT M16C OR H CORD AT CONN BLK  
 LS - LINE SWITCH  
 H - HOLD KEY

B. IA KTS WIRED FOR BUSY LAMP WITH M16C OR H CORD TERMINATED AT 66-TYPE CONN BLK

Fig. 3—Optional Features with 4A Speakerphone (Sheet 2 of 3)

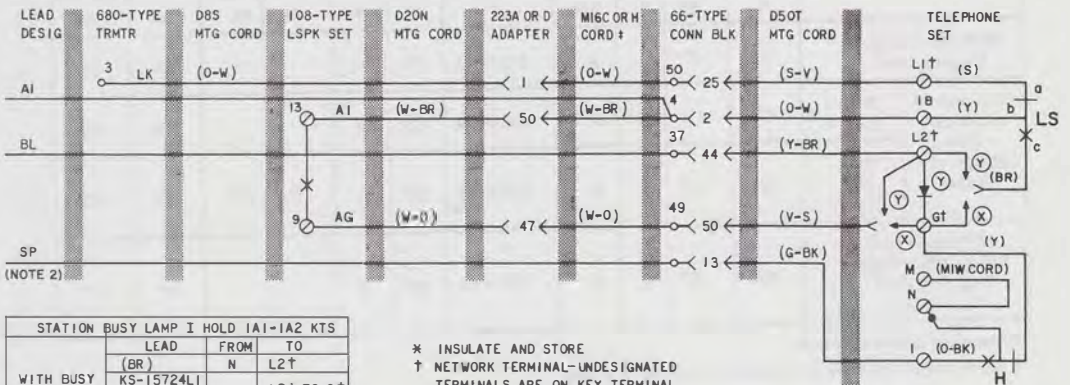


STATION BUSY LAMP I HOLD IA1-IA2 KTS			
	LEAD	FROM	TO
WITH BUSY LAMP (Y) OPTION	(BR)	N	L2†
	KS-15724LI DIODE		L2† TO G†
	(W-0)	N	L2†
	(Y)	M	G†
	(O-BK)	N	I
WITHOUT BUSY LAMP (X) OPTION	MIW CORD	N TO M	
	(BR)	N	G†
	(W-0)	N	G†
	(Y)	M	G†
WITH OR WITHOUT BUSY LAMP	(O-BK)	N	I
	MIW CORD	N TO M	
	(S-V)	L1†	*
	(V-S)	N	*

NOTES:

1. 66-TYPE CONNECTING BLOCK SHOWN. MTG CORD MAY BE PLUGGED DIRECTLY INTO CONNECTOR CABLE. COLORS AND PIN NUMBERS FOR CONNECTOR CABLE ARE SAME AS MTG CORD.
2. USE "B" BATTERY SUPPLY FROM KTS IF AVAILABLE. DO NOT USE 10V AC LAMP BATTERY FOR BUSY LAMP.

A. IA1-IA2 KTS WIRED FOR BUSY LAMP WITH M16C OR H CORD TERMINATED IN TEL SET



STATION BUSY LAMP I HOLD IA1-IA2 KTS			
	LEAD	FROM	TO
WITH BUSY LAMP (Y) OPTION	(BR)	N	L2†
	KS-15724LI DIODE		L2† TO G†
	(V-S)	N	L2†
	(Y)	M	G†
	(O-BK)	N	I
WITHOUT BUSY LAMP (X) OPTION	MIW CORD	N TO M	
	(BR)	N	G†
	(V-S)	N	G†
	(Y)	M	G†
WITH OR WITHOUT BUSY LAMP	(O-BK)	N	I
	MIW CORD	N TO M	
	(S-V)	L1†	*
	(V-S)	N	*

- \* INSULATE AND STORE
- † NETWORK TERMINAL-UNDESIGNATED TERMINALS ARE ON KEY TERMINAL BOARD
- ‡ 161A ADAPTERS REQUIRED TO CONNECT M16C OR H CORD AT 66-TYPE CONN BLK

LS - LINE SWITCH  
H - HOLD KEY

B. IA1-IA2 KTS WIRED FOR BUSY LAMP WITH M16C OR H CORD TERMINATED AT 66-TYPE CONN BLK

Fig. 3—Optional Features with 4A Speakerphone (Sheet 3 of 3)

**TABLE A**  
**PICKUP-SIGNAL KEY CONVERSION**

CONVERTIBLE KEY OPTIONS	KEY LEAD (BR-BK)
HPPPPC	M
HPPPSC	SG

**TABLE B**  
**INTERNAL RINGER OR BUZZER CUTOFF BY CUTOFF KEY**

CUTOFF		H1A RINGER LEADS				H1B RINGER LEADS			BUZZER LEADS		CUTOFF-KEY LEADS	
		R	BK	S	S-R	S †	BK	R	BL	BL	BR	Y-BR
Of Bridged Ringer On Any Line		CR	CT	K	A	CR ↔ A	CT	K			R*	T*
Of Common or Private Line Ringer or Buzzer	With Cap.	CR	CT	K	A	CR ↔ A	CR	K			RR	RT
	Without Cap.	CR	CT	A	A	CR ↔ A	CT	A	CR	CT	RR	RT
Of Bridged Line Ringer When Used With Feature 1 On Table C		XR	XT	K	A	XR ↔ A	XT	K			R*	T*

\* Terminal of line involved.

† Move end of (S) strap connected to terminal RR only.



**TABLE C**  
**EXTERNAL CIRCUITS CUTOFF**

CUTOFF	CUTOFF-KEY LEADS	
	BR	Y-BR
Of Ring and Tip of Any Line	R*	T*
Of Head Receiver, Used as Listening-In Set	R†	GN†
Of Controlled 1A1, 1A2 Key Tel Sys Sta	CT	XT

\* Terminal of line involved.

† Terminal on network.

**TABLE D**  
**EXCLUSION SWITCH CONNECTIONS**

EXCLUSION	KEY TEL SYS	EXCLUSION SWITCH LEADS							
		BL-W	W-BL	O-W	W-O	BL-V	V-BL	O-V	V-O
On any line	1A	R*	T*	1B†	H*	ER	ET	EB	EH
	1A1 or 1A2	R*	T*	EB	H*	ER	ET	EB	EH

\*Terminal of line to be excluded

† When other than line 1 is excluded on 1A KTS, disconnect, insulate, and store O-W mounting cord conductor from terminal 1B; connect balance lead conductor from line involved to 1B.