

SERVICE

565LK OR 565LKM TELEPHONE SETS

1. GENERAL

- 1.01** This section provides connection information for the 565LK or LKM telephone set.
- 1.02** This section is reissued to:
- Add information on 565LKM (modular) telephone sets
 - Add comcode numbers
- 1.03** ♦Current nonmodular 565LK telephone sets are furnished from the factory equipped with a G3A6 handset and cord. Modular 565LKM telephone sets are equipped with a G15A handset, H4DU handset cord, and 616D jack assembly (Fig. 1).♦

2. CONNECTIONS

- 2.01** These sets are factory-wired for use with 1A1 or 1A2 KTS, 3-type or 4A speakerphone, and individual or common line ringer.
- 2.02** When used with 1A KTS and speakerphone modify set as shown in Fig. 2 and 3.
- 2.03** The hold key position can be illuminated, but 51A lamp is not furnished with set.
- 2.04** The 4th key position is convertible from line pickup (locking) to signaling (nonlocking) by removal of the ♦811218924♦ or P-12A892 screw detail. Arrange wiring as shown in Table A
- 2.05** These telephone sets are factory-equipped with a KS-20419L1 (10 volt AC only) buzzer.
- 2.06** Cutoff of internal station ringer or buzzer can be made using the cutoff key on the 589AJ key. Arrange wiring as shown in Table B. To cutoff an external circuit, arrange wiring as shown in Table C.
- 2.07** Early model sets were furnished from the factory with H1A (MD) ringer, current models have H1B ringer.
- 2.08** A ♦812559623♦ or P-25E962 auxiliary terminal strip (ordered separately) is available for auxiliary services such as buzzers, lamps, etc.
- 2.09** A D-179935 Kit of Parts (ordered separately) can be installed in the 565LK set when the exclusion feature is required. Connections are made in accordance with Table D.
- 2.10** When a 565LK or LKM telephone set is multiplied with sets furnishing speakerphone features, certain leads must be disconnected, insulated and stored to avoid interference with working circuits. The lead designations of leads to be removed are as follows: T1, R1, P3, P4, AG, and LK. Speakerphone connections are shown in Division 512.
- 2.11** Installation of optional items such as exclusion, auxiliary terminal strip, etc., and maintenance information common to 6-button sets can be found in Section 502-500-120.
- 2.12** Use an A20B connector cable when speakerphone and exclusion features are not required.

NOTICE

Not for use or disclosure outside the
Bell System except under written agreement

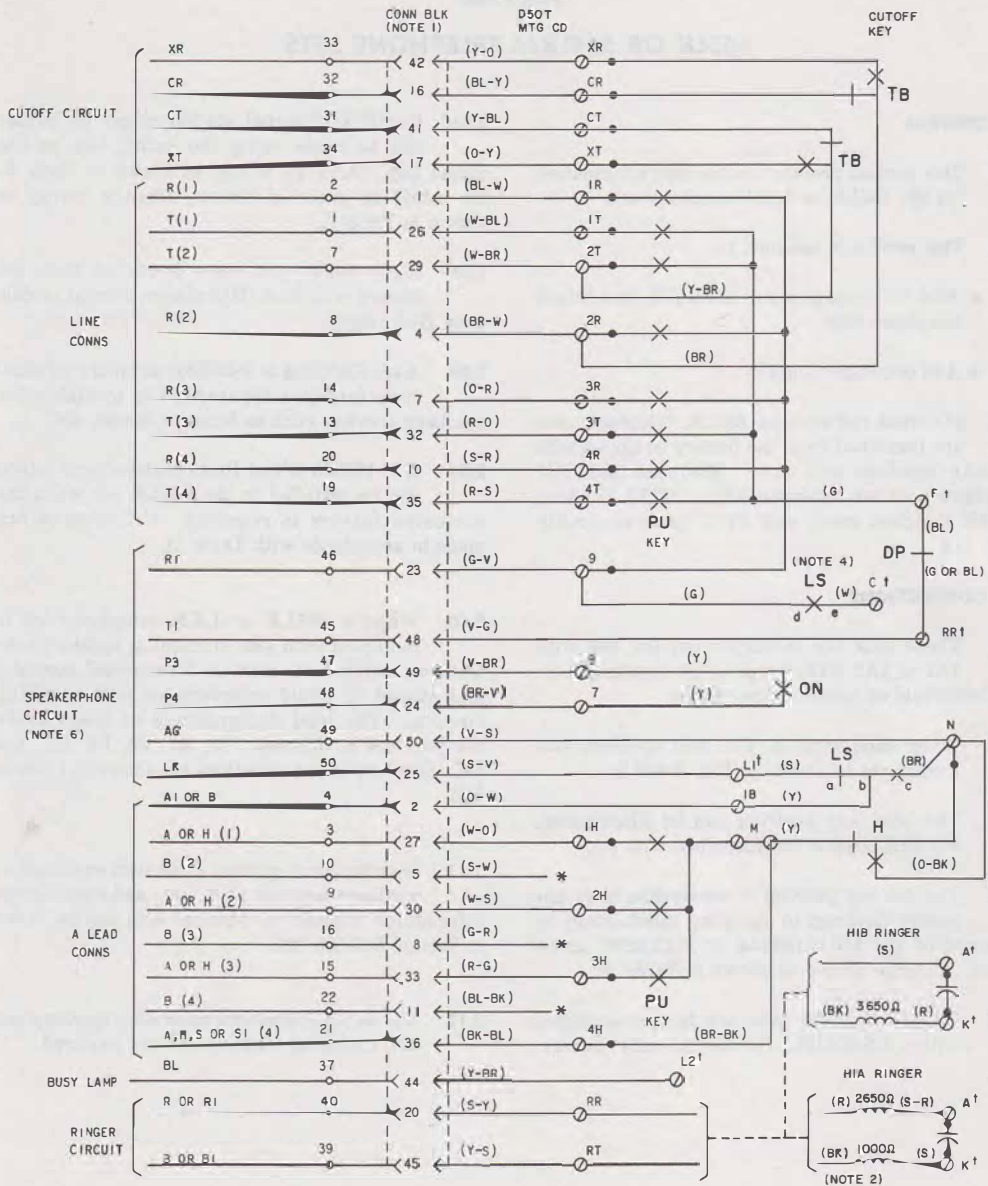
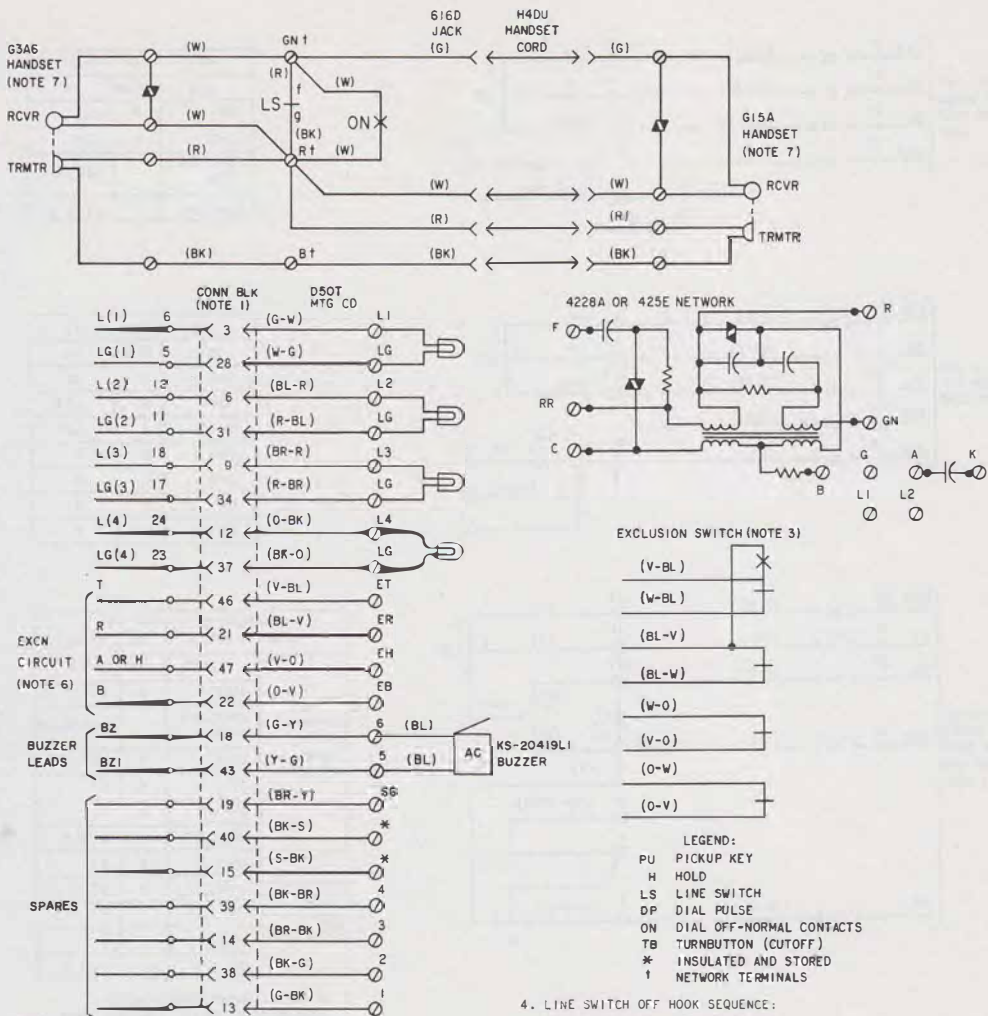


Fig. 1—565LK or LKM Telephone Set, Connections (Sheet 1 of 2)



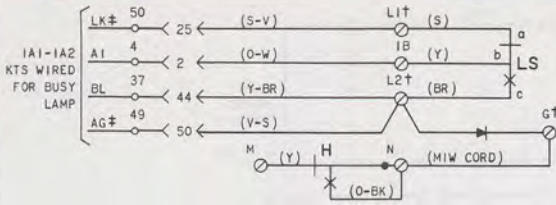
NOTES:

1. 66E-TYPE CONN BLK SHOWN. MTG CD MAY BE PLUGGED DIRECTLY INTO CONN CABLE. COLORS AND PIN NOS FOR CONN CA ARE SAME AS MTG CD.
2. IF CAPACITOR IS NOT REQUIRED IN RINGER CXT, MOVE (S) RINGER LEAD HIA RINGER OR (R) RINGER LEAD HIB RINGER TO A OF NET.
3. IF EXCLUSION FEATURE IS ADDED, CONNECT SWITCH LEADS PER TABLE D.

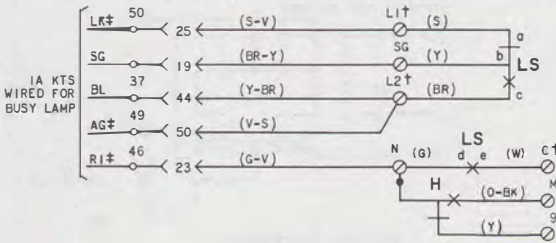
4. LINE SWITCH OFF HOOK SEQUENCE:

- (1) bc CLOSES (3) ab OPENS
 - (2) de CLOSES (4) fg OPENS
5. IF HOLD POSITION LAMP IS REQUIRED, USE SPARE PAIR AND SPARE TERMINALS OR D-161488 CONNECTORS.
 6. USE AN A20B CONNECTOR CABLE WHEN SPEAKERPHONE AND EXCLUSION FEATURES ARE NOT PROVIDED.
 7. 565LK SETS ARE FURNISHED EQUIPPED WITH G3A6 HANDSET AND CORD. 565LKM SETS ARE FURNISHED EQUIPPED WITH G15A HANDSET, H4DU HANDSET CORD, AND 616D JACK ASSEMBLY.

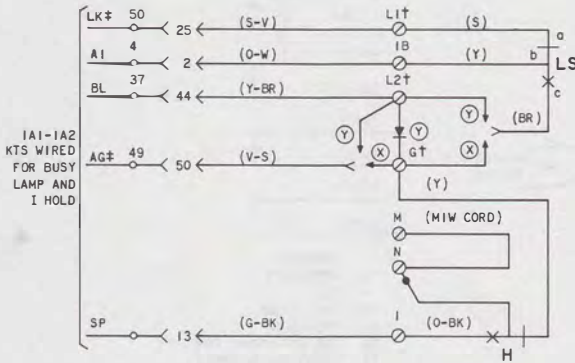
Fig. 1—565LK or LKM Telephone Set, Connections (Sheet 2 of 2)



MODIFICATION IA1-IA2 KTS		
LEAD	FROM	TO
(BR)	N	L2†
(V-S)	N	L2†
KS-15724LI DIODE		L2† TO G†
MIW CORD		G† TO N



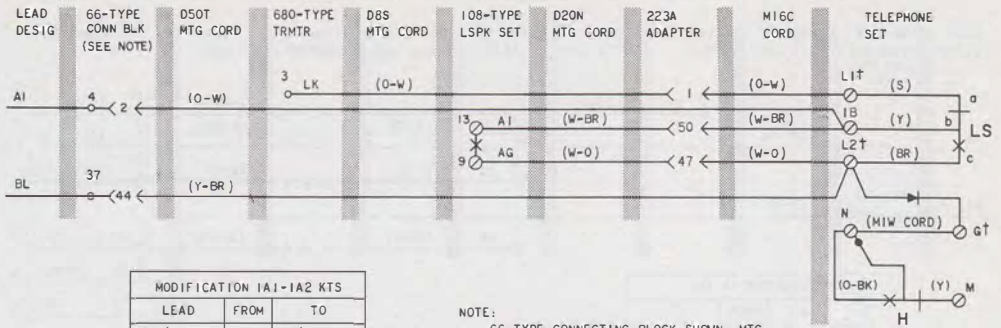
MODIFICATION IA KTS		
LEAD	FROM	TO
(Y)	IB	SG
(BR)	N	L2†
(V-S)	N	L2†
(G-V)	9	N
(G)	9	N
(Y)	M	9
(O-BK)	N	M



MODIFICATION IA1-IA2 KTS STATION BUSY LAMP AND I HOLD			
	LEAD	FROM	TO
WITH BUSY LAMP (Y) OPTION	(BR)	N	L2†
	KS-15724LI DIODE		L2† TO G†
	(V-S)	N	L2†
	(Y)	M	G†
	(O-BK)	N	I
	MIW CORD		N TO M
WITHOUT BUSY LAMP (X) OPTION	(BR)	N	G†
	(V-S)	N	G†
	(Y)	M	G†
	(O-BK)	N	I
MIW CORD		N TO M	

† NETWORK TERMINAL-UNDESIGNATED
TERMINALS ARE ON KEY TERMINAL BOARD
‡ 3-TYPE SPEAKERPHONE LEAD
LS - LINE SWITCH
H - HOLD KEY

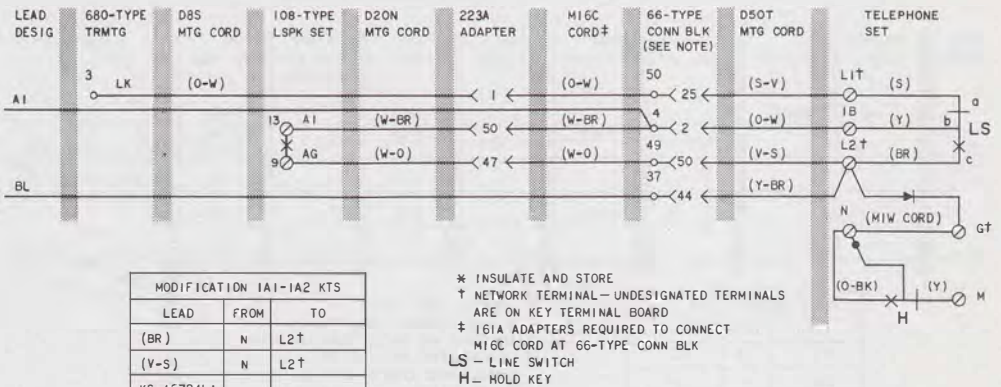
Fig. 2—Optional Features with 3-Type Speakerphone



MODIFICATION IA1-IA2 KTS		
LEAD	FROM	TO
(BR)	N	L2†
(W-0)	N	L2†
KS-15724L1 DIODE		L2† TO G†
M1W CORD		N TO G†
(S-V)	L1†	*
(0-W)	IB	*

NOTE:
66-TYPE CONNECTING BLOCK SHOWN. MTG CORD MAY BE PLUGGED DIRECTLY INTO CONNECTOR CABLE. COLORS AND PIN NUMBERS FOR CONNECTOR CABLE ARE SAME AS MTG CORD.

A. IA1-IA2 KTS WIRED FOR BUSY LAMP WITH M16C CORD TERMINATED IN TEL SET

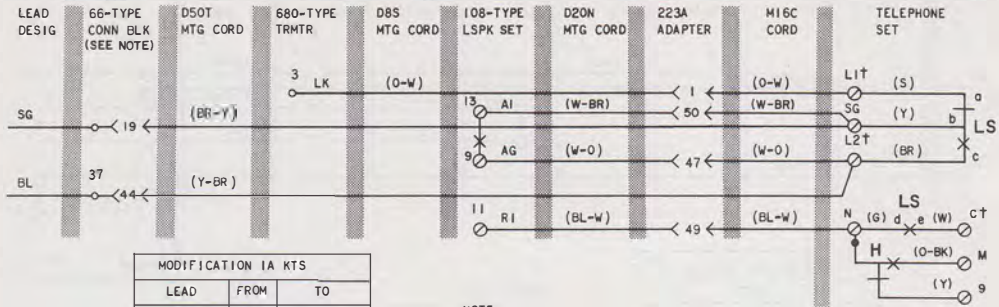


MODIFICATION IA1-IA2 KTS		
LEAD	FROM	TO
(BR)	N	L2†
(V-S)	N	L2†
KS-15724L1 DIODE		L2† TO G†
M1W CORD		N TO G†

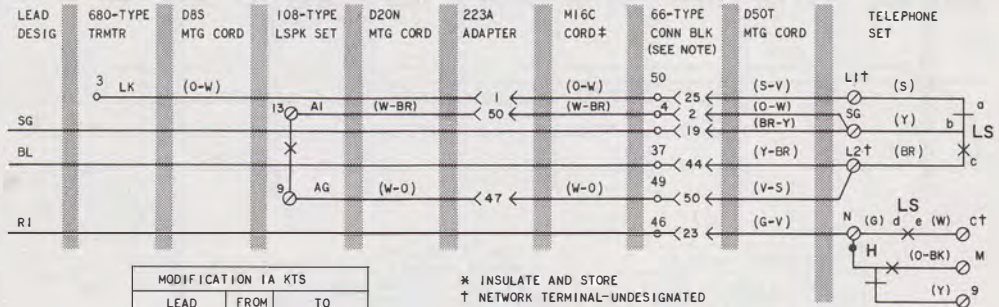
* INSULATE AND STORE
† NETWORK TERMINAL—UNDESIGNATED TERMINALS ARE ON KEY TERMINAL BOARD
‡ 161A ADAPTERS REQUIRED TO CONNECT M16C CORD AT 66-TYPE CONN BLK
LS — LINE SWITCH
H — HOLD KEY

B. IA1-IA2 KTS WIRED FOR BUSY LAMP WITH M16C CORD TERMINATED AT 66-TYPE CONN BLK

Fig. 3—Optional Features with 4A Speakerphone (Sheet 1 of 3)

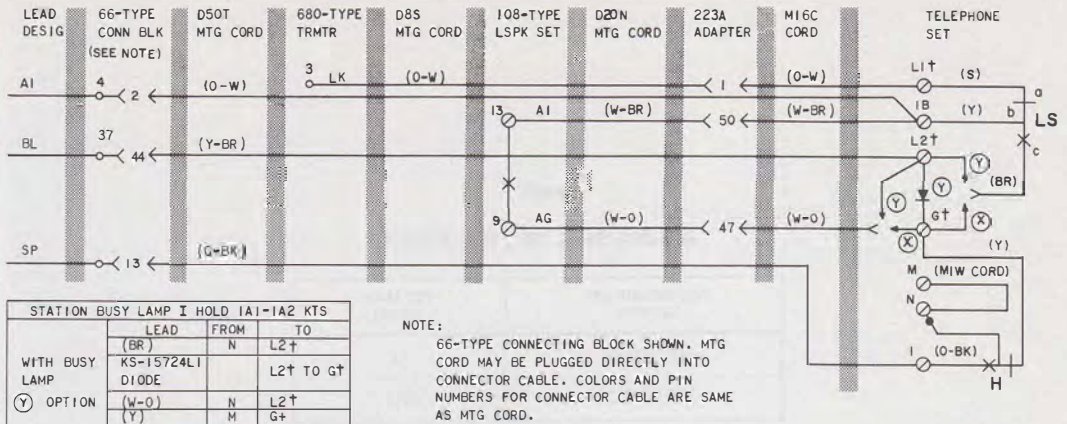


A. IA KTS WIRED FOR BUSY LAMP WITH M16C CORD TERMINATED IN TEL SET



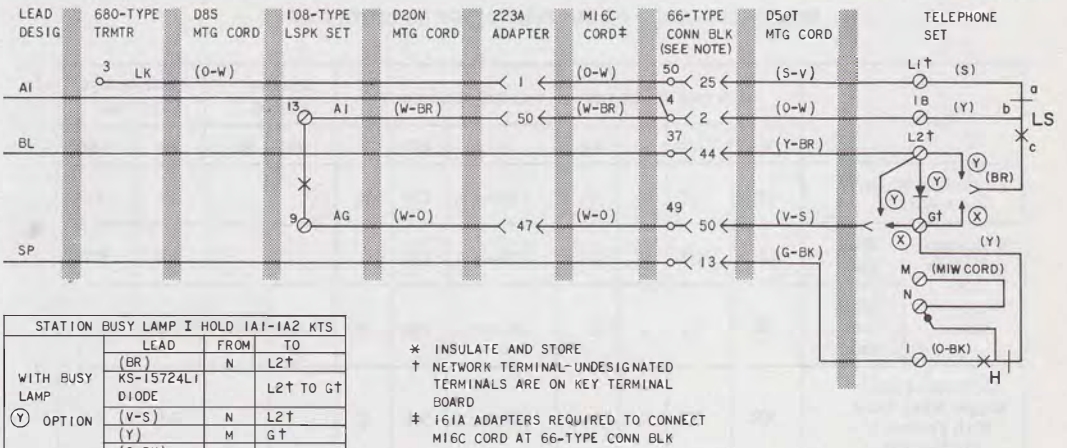
B. IA KTS WIRED FOR BUSY LAMP WITH M16C CORD TERMINATED AT 66-TYPE CONN BLK

Fig. 3—Optional Features with 4A Speakerphone (Sheet 2 of 3)



STATION BUSY LAMP I HOLD IA1-IA2 KTS			
	LEAD	FROM	TO
WITH BUSY LAMP Ⓞ OPTION	(BR)	N	L2†
	KS-15724LI DIODE		L2† TO G†
	(W-0)	N	L2†
	(Y)	M	G†
	(O-BK)	N	I
WITHOUT BUSY LAMP ⓧ OPTION	M1W CORD	N TO M	
	(BR)	N	G†
	(W-0)	N	G†
	(Y)	M	G†
	(O-BK)	N	I
WITH OR WITHOUT BUSY LAMP	M1W CORD	N TO M	
	(S-V)	L1†	*
	(V-S)	N	*

A. IA1-IA2 KTS WIRED FOR BUSY LAMP WITH M16C CORD TERMINATED IN TEL SET



STATION BUSY LAMP I HOLD IA1-IA2 KTS			
	LEAD	FROM	TO
WITH BUSY LAMP Ⓞ OPTION	(BR)	N	L2†
	KS-15724LI DIODE		L2† TO G†
	(V-S)	N	L2†
	(Y)	M	G†
	(O-BK)	N	I
WITHOUT BUSY LAMP ⓧ OPTION	M1W CORD	N TO M	
	(BR)	N	G†
	(V-S)	N	G†
	(Y)	M	G†
	(O-BK)	N	I
	M1W CORD	N TO M	

B. IA1-IA2 KTS WIRED FOR BUSY LAMP WITH M16C CORD TERMINATED AT 66-TYPE CONN BLK

Fig. 3—Optional Features with 4A Speakerphone (Sheet 3 of 3)

TABLE A

PICKUP-SIGNAL KEY CONVERSION

CONVERTIBLE KEY OPTIONS	KEY LEAD (BR-BK)
HPPPPC	M
HPPPSC	SG

TABLE B

INTERNAL RINGER OR BUZZER CUTOFF BY CUTOFF KEY

CUTOFF		H1A RINGER LEADS				H1B RINGER LEADS			BUZZER LEADS		CUTOFF-KEY LEADS	
		R	BK	S	S-R	S †	BK	R	BL	BL	BR	Y-BR
Of Bridged Ringer On Any Line		CR	CT	K	A	CR ↔ A	CT	K			R*	T*
Of Common or Private Line Ringer or Buzzer	With Cap.	CR	CT	K	A	CR ↔ A	CR	K			RR	RT
	Without Cap.	CR	CT	A	A	CR ↔ A	CT	A	CR	CT	RR	RT
Of Bridged Line Ringer When Used With Feature 1 On Table C		XR	XT	K	A	XR ↔ A	XT	K			R*	T*

* Terminal of line involved.

† Move end of (S) strap connected to terminal RR only.

TABLE C
EXTERNAL CIRCUITS CUTOFF

CUTOFF	CUTOFF-KEY LEADS	
	BR	Y-BR
Of Ring and Tip of Any Line	R*	T*
Of Head Receiver, Used as Listening-In Set	R†	GN†
Of Controlled 1A1, 1A2 Key Tel Sys Sta	CT	XT

* Terminal of line involved.

† Terminal on network.

TABLE D
EXCLUSION KEY CONNECTIONS

EXCLUSION	KEY TEL SYS	EXCLUSION KEY LEADS							
		BL-W	W-BL	O-W	W-O	BL-V	V-BL	O-V	V-O
On any line	1A	R*	T*	1B†	H*	ER	ET	EB	EH
	1A1 or 1A2	R*	T*	EB	H*	ER	ET	EB	EH

*Terminal of line to be excluded

† When other than line 1 is excluded on 1A KTS, disconnect, insulate, and store O-W mounting cord conductor from terminal 1B; connect balance lead conductor from line involved to 1B.