

SERVICE

565HK, 565HKM, AND 565HKMS TELEPHONE SETS

CONNECTIONS

1. GENERAL

1.01 This section contains information for the 565HK (MD), 565HKM (MD), and 565HKMS telephone sets (Fig. 1, 2, and 3).

1.02 Reissued to:

- Show 565HKM telephone set MD
- Show 3-type speakerphone MD
- Add information on the 565HKMS telephone set
- Add information on 533K diode.

1.03 The 565HKMS modular telephone set is similar to the 565HKM (MD) except for a new line switch which breaks both the tip and ring side of the line.†

2. CONNECTIONS

2.01 These sets are factory-wired for use with 1A1 or 1A2 KTS, 4A speakerphone, and individual or common line ringer (Fig. 1, 2, and 3).

2.02 When used with 1A KTS and optional features, modify set wiring as shown in Fig. 4 or 5.

2.03 The hold key position can be illuminated, but 51A lamp is not furnished with set and must be ordered separately.

2.04 All convertible key positions are supplied as pickup keys. To convert from pickup

(locking) to signaling (nonlocking), remove the 811218924 (P-12A892) screw detail from key positions involved. Make necessary wiring change as shown in Table A.

2.05 Early model 565HK (MD) sets were furnished from the factory with H1A (MD) ringer, current sets have H1B ringer.

2.06 The sets are factory-equipped with a KS-20419L1 (10 volt ac only) buzzer.

2.07 A 812559623 (P-25E962) auxiliary terminal strip (ordered separately) is available for auxiliary services such as buzzers, lamps, etc.

2.08 A D-179935 Kit of Parts (ordered separately) can be installed in the set when the exclusion feature is required. Connections are made in accordance with Table B.

2.09 When a 565HK (MD) or 565HKM [(MD) Manufactured prior to July 20, 1979] telephone set is not used as a speakerphone set and is multiplied with any other set furnishing speakerphone feature, the T1 (V-G) and R1 (G-V) speakerphone leads must be disconnected, insulated and stored at the telephone set. If not disconnected, these speakerphone leads will provide a common path between the circuits of the multiplied telephone sets. Speakerphone connections are shown in Division 512.

2.10 Installation of optional items such as exclusion, auxiliary terminal strips, etc., and maintenance information common to 6-button sets can be found in Section 502-500-120.

NOTICE

Not for use or disclosure outside the
Bell System except under written agreement

♦TABLE A♦

PICKUP-SIGNAL KEY CONVERSION

KEY TEL SET	CONVERTIBLE KEY OPTIONS	KEY LEADS			
		BR	Y-BR	S-R	BR-BK
565HK (MD), 565HKM (MD), and 565HKMS	HPPPPP	M	M	M	X
	HPPPPS	M	M	M	SG
	HPPSSS	M	M	SG	X
	HPPSSS	X	M	SG	X
	HPPP*P*S*	X	M	5H	N
	HPP*P*P*S*	X	X	5H	N

* These pickup key options are used on private or intercommunicating lines with the signal key common to each line.

TABLE B
EXCLUSION SWITCH CONNECTIONS

EXCLUSION	KEY TEL SYS	EXCLUSION SWITCH LEADS							
		BL-W	W-BL	O-W	W-O	BL-V	V-BL	O-V	V-O
On any line	1A	R*	T*	1B†	H*	ER	ET	EB	EH
	1A1 or 1A2	R*	T*	EB	H*	ER	ET	EB	EH

* Terminal of line to be excluded.

† When other than line 1 is excluded on 1A KTS, disconnect, insulate, and store O-W mounting cord conductor from terminal 1B; connect balance lead conductor from line involved to 1B.

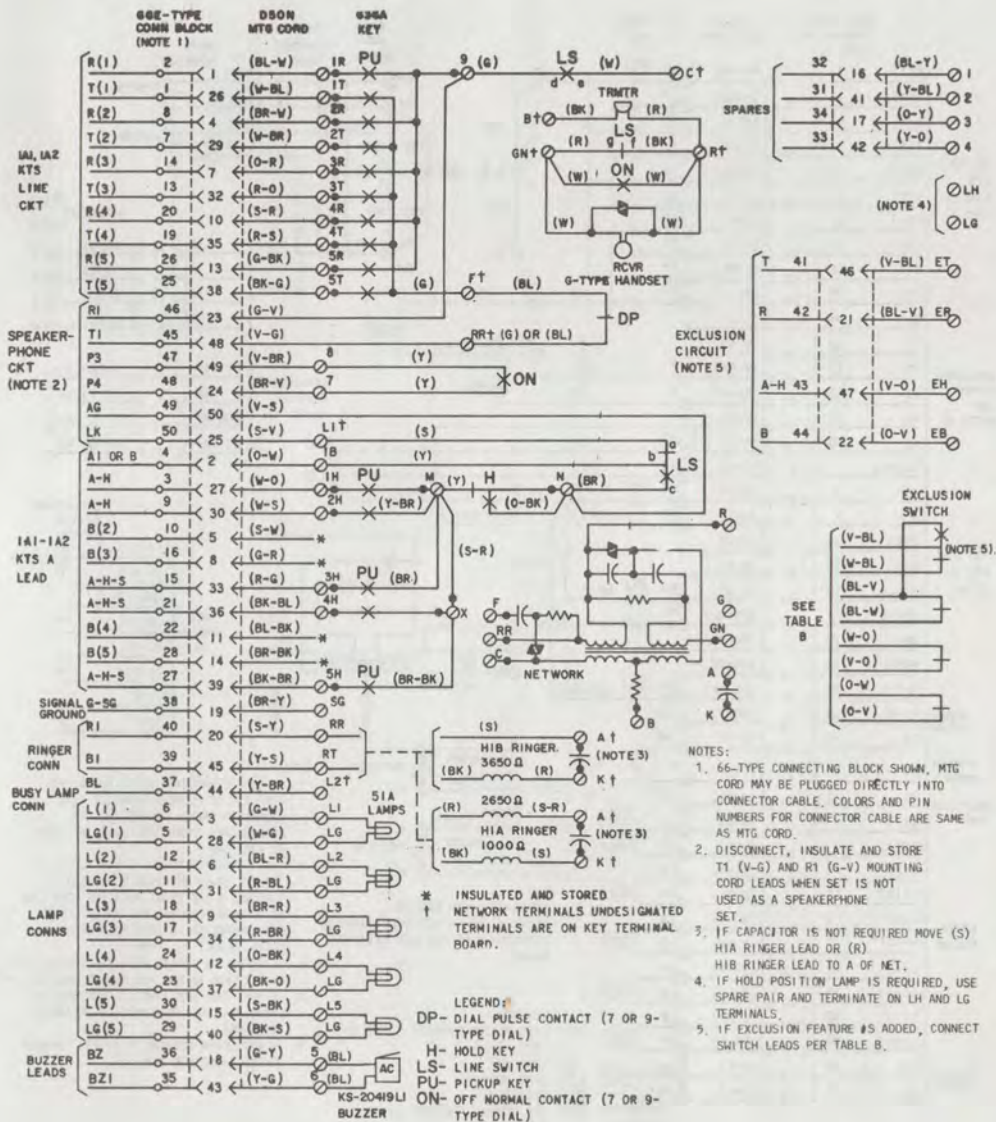


Fig. 1—565HK (MD) Telephone Set, Connections

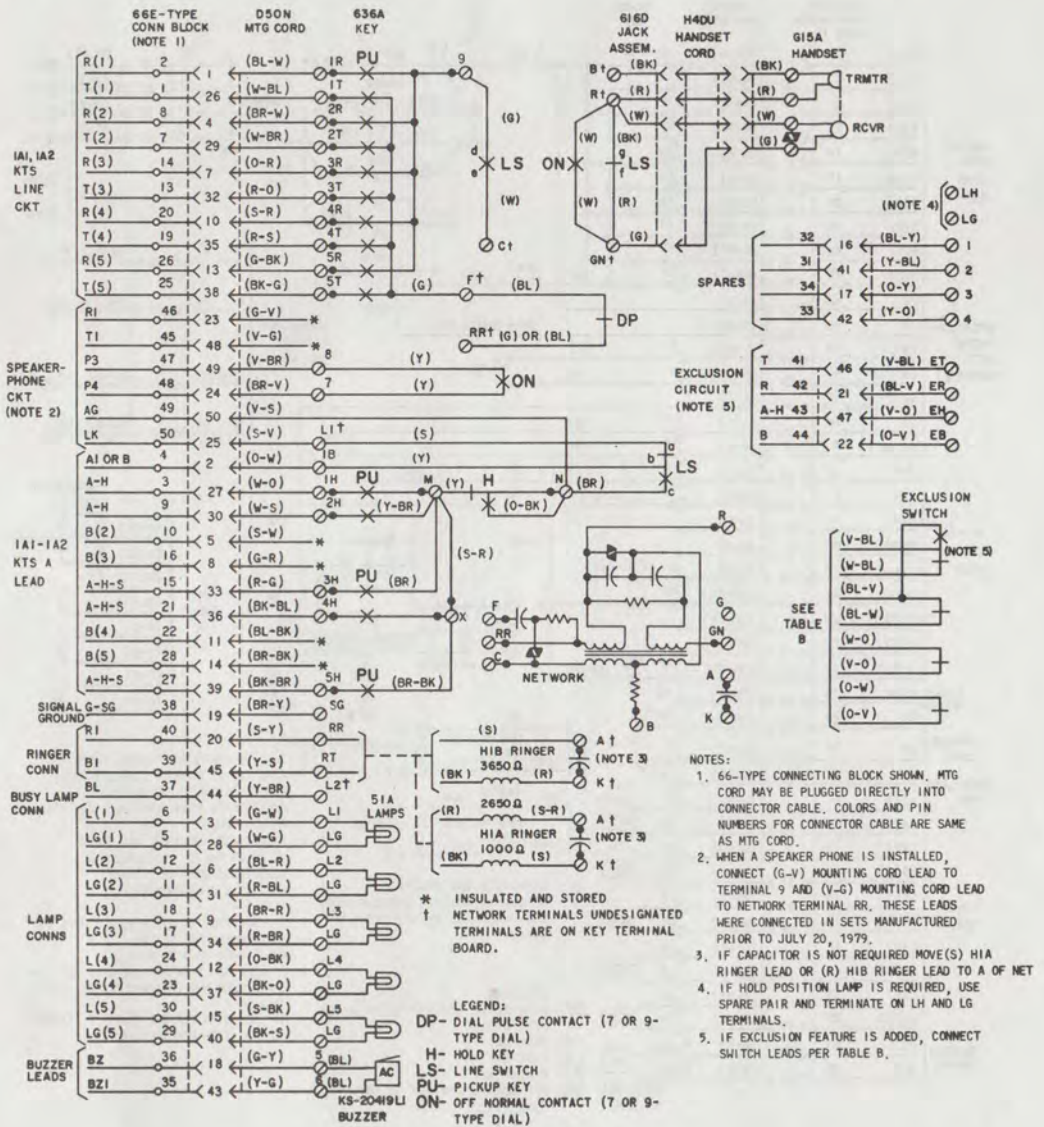


Fig. 2—565HKM (MD) Telephone Set (Manufactured After July 20, 1979), Connections

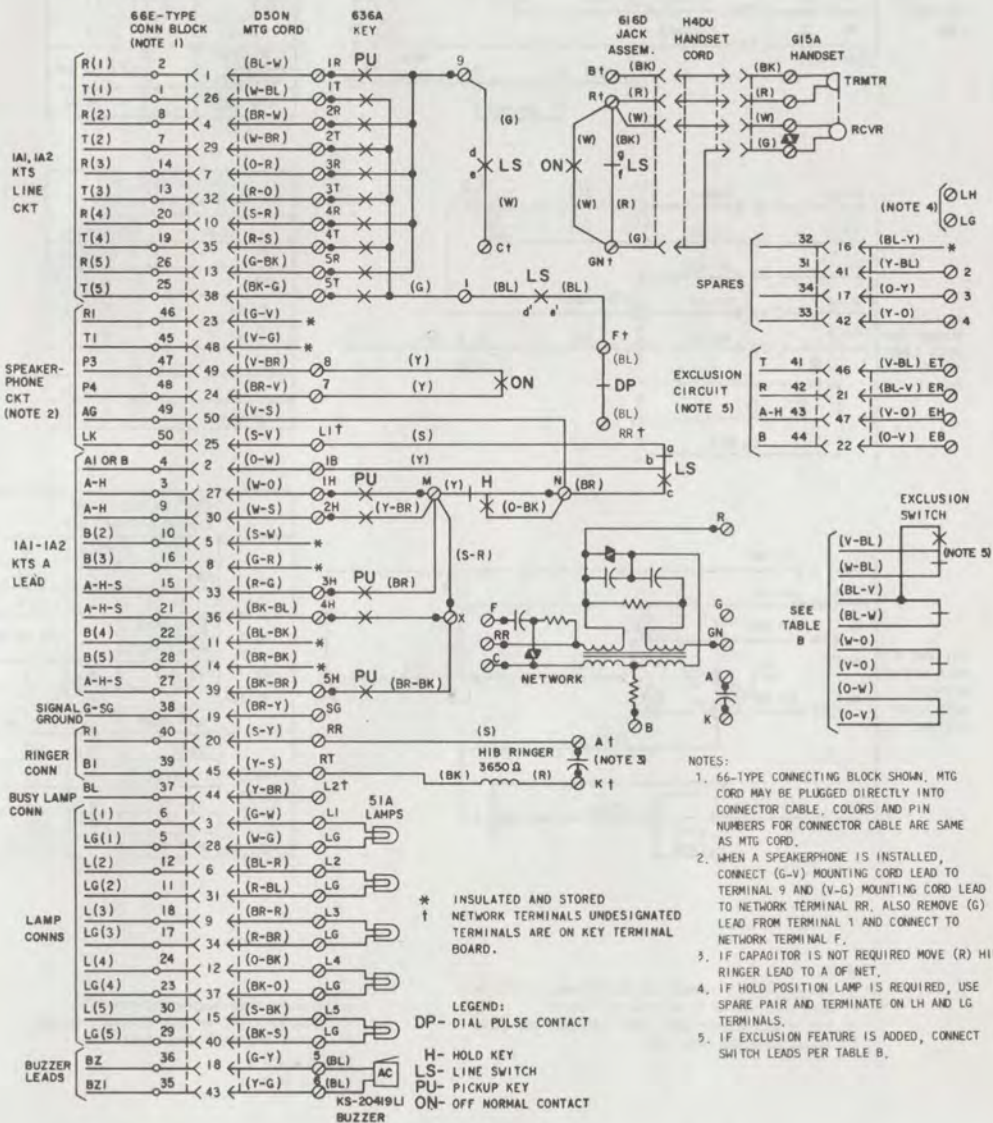
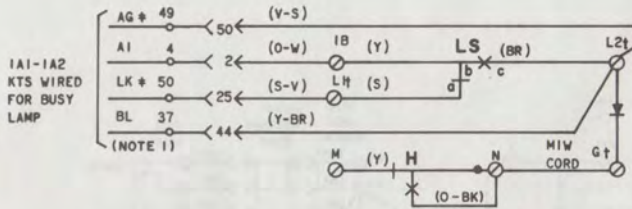
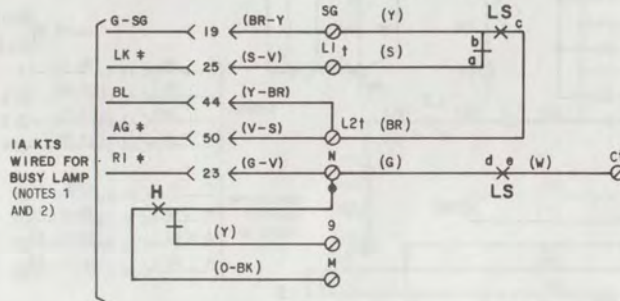


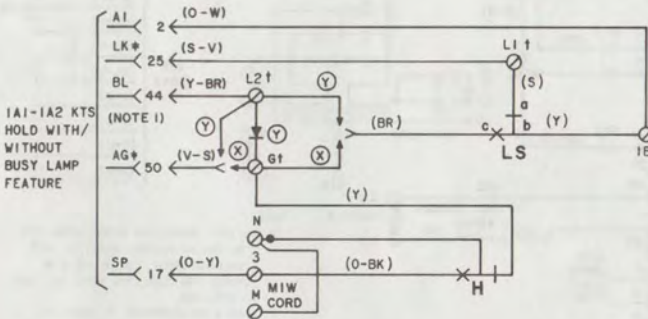
Fig. 3—565HKMS Telephone Set, Connections



STATION BUSY LAMP MODIFICATION 1A1-1A2 KTS		
LEAD	FROM	TO
(BR)	N	L2†
(V-S)	N	L2†
533K DIODE (ORDERED SEPERATELY)		L2† TO G†
MIW CORD		N TO G†



STATION BUSY LAMP MODIFICATION 1A KTS		
LEAD	FROM	TO
(Y)	1B	SG
(BR)	N	L2†
(V-S)	N	L2†
(G-V)	9	N
(G)	9	N
(Y)	M	9
(O-BK)	N	M



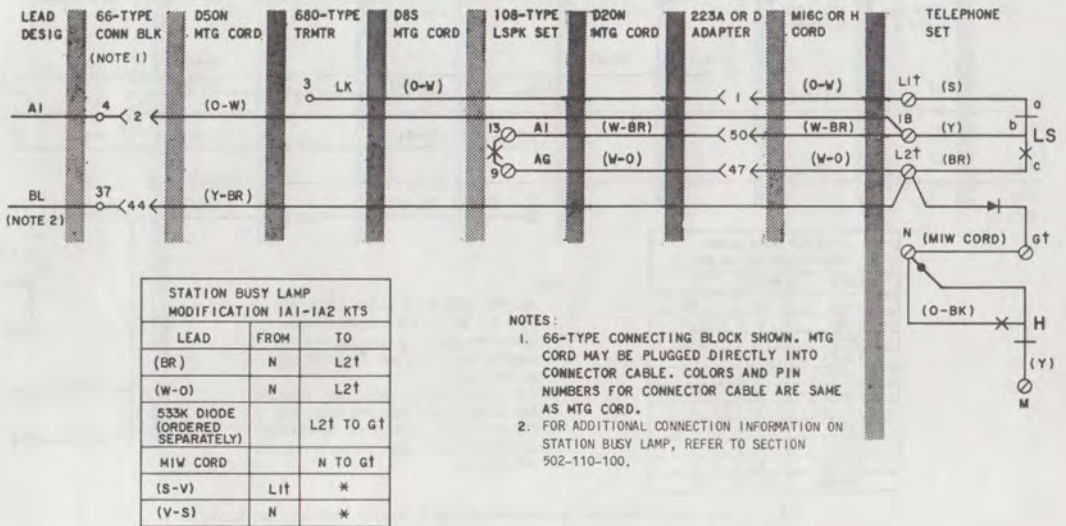
STATION BUSY LAMP I HOLD 1A1-1A2 KTS			
	LEAD	FROM	TO
WITH BUSY LAMP OPTION	(BR)	N	L2†
	(V-S)	N	L2†
	533K DIODE (ORDERED SEPERATELY)		L2† TO G†
	(O-BK)	N	3
	(Y)	M	G†
WITHOUT BUSY LAMP OPTION	MIW CORD		N TO M
	(BR)	N	G†
	(V-S)	N	G†
	(O-BK)	N	3
	(Y)	M	G†
MIW CORD		N TO M	

NOTES:

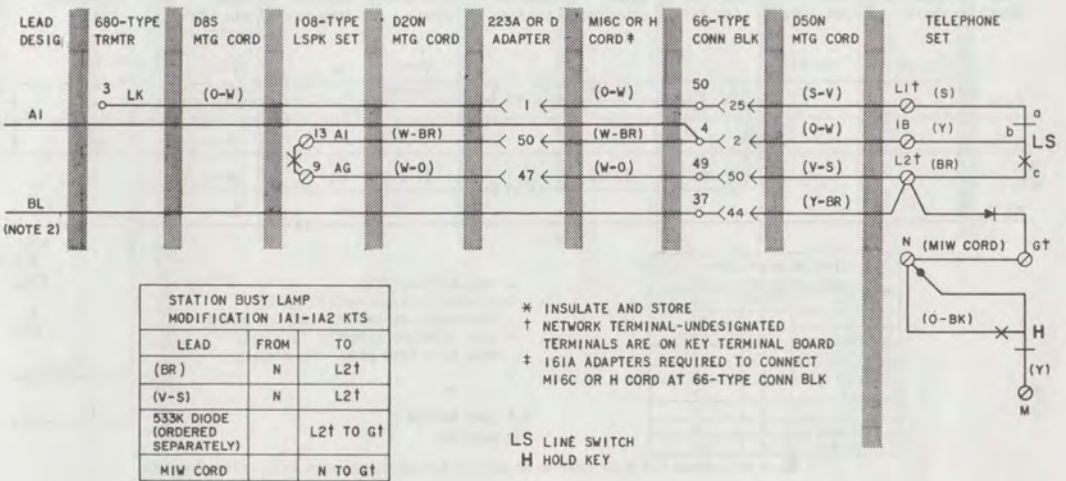
- FOR ADDITIONAL CONNECTION INFORMATION ON STATION BUSY LAMP, REFER TO SECTION 502-110-100.
- FOR 1A KTS WITHOUT BUSY LAMP, INSULATE AND STORE (Y-BR) D50N MTG CORD LEAD.

- † NETWORK TERMINALS-UNDESIGNATED TERMINALS ARE ON KEY TERMINAL BOARD
- ‡ 3-TYPE SPEAKERPHONE LEAD
- H-HOLD KEY
- LS-LINE SWITCH

Fig. 4—Optional Features with 3-Type (MD) Speakerphone†

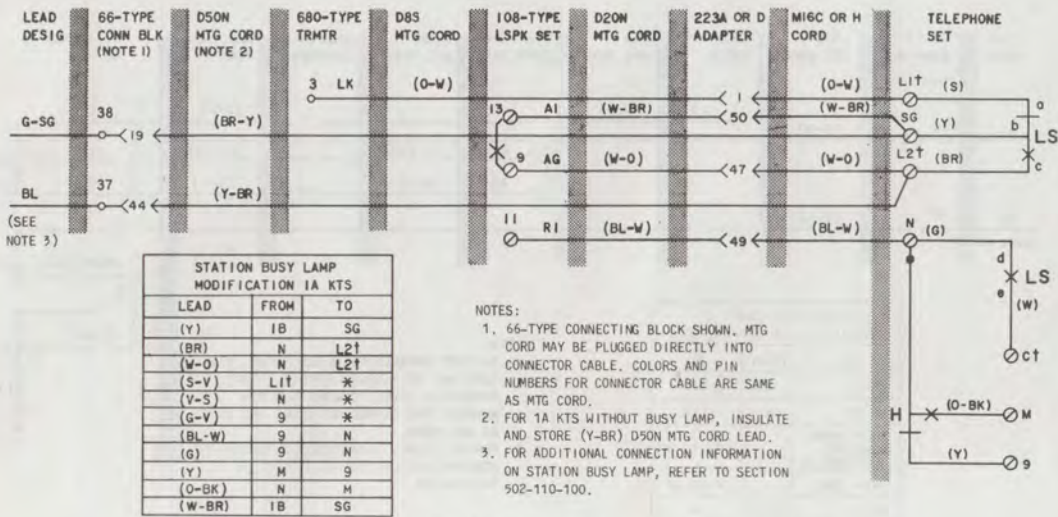


A. 1A1-1A2 KTS WIRED FOR BUSY LAMP WITH M16C OR H CORD TERMINATED IN TEL SET

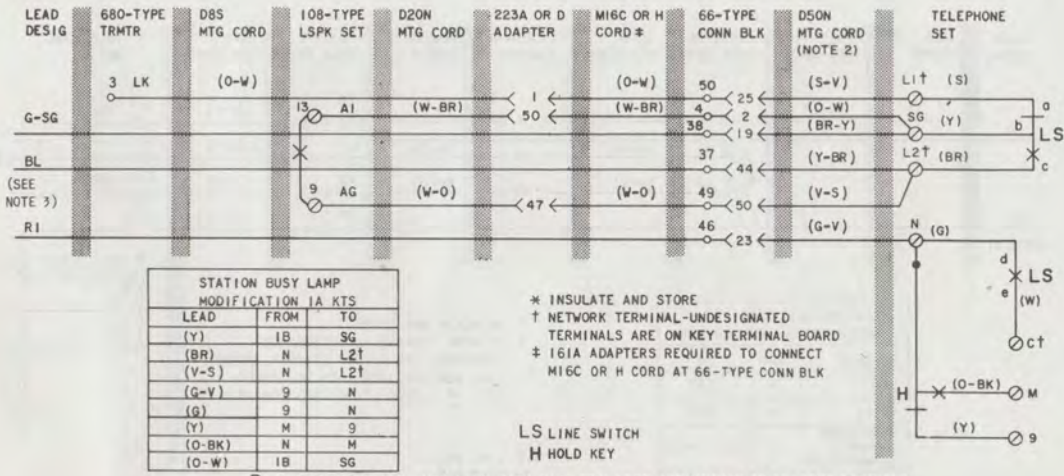


B. 1A1-1A2 KTS WIRED FOR BUSY LAMP WITH M16C OR H CORD TERMINATED AT 66-TYPE CONN BLK

Fig. 5—Optional Features with 4A Speakerphone (Sheet 1 of 3)†

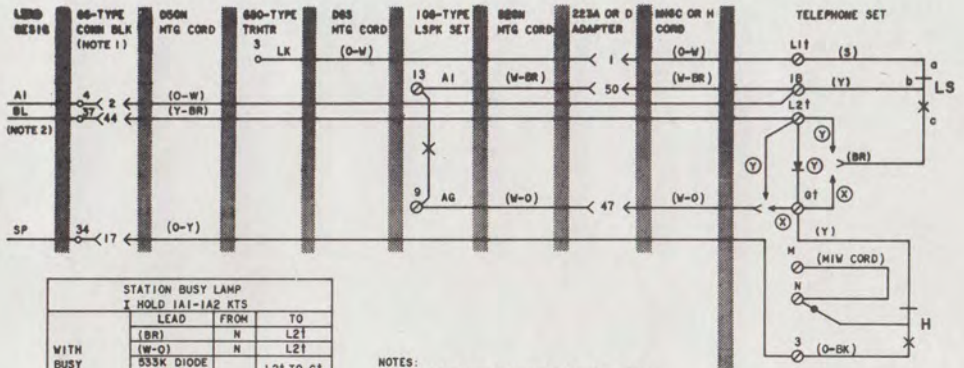


A. IA KTS WIRED FOR BUSY LAMP WITH M16C OR H CORD TERMINATED IN TEL SET



B. IA KTS WIRED FOR BUSY LAMP WITH M16C OR H CORD TERMINATED AT 66-TYPE CONN BLK

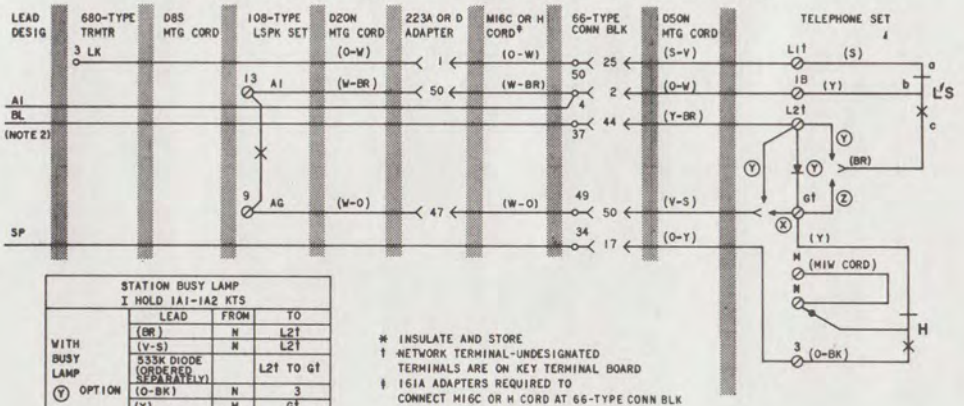
Fig. 5—Optional Features with 4A Speakerphone (Sheet 2 of 3)



STATION BUSY LAMP I HOLD 1A1-1A2 KTS			
	LEAD	FROM	TO
WITH BUSY LAMP (Y) OPTION	(BR)	N	L2†
	(W-O)	N	L2†
	535K DIODE (ORDERED SEPARATELY)		L2† TO G†
	(O-BK)	N	3
	(Y)	M	G†
WITHOUT BUSY LAMP (X) OPTION	M/W CORD	N TO M	
	(BR)	N	G†
	(W-O)	N	G†
	(O-BK)	N	3
WITH OR WITHOUT BUSY LAMP	(Y)	M	G†
	M/W CORD	N TO M	
	(S-V)	L1†	N
(V-S)	N	N	

- NOTES:
- 66-TYPE CONNECTING BLOCK SHOWN. MTG CORD MAY BE PLUGGED DIRECTLY INTO CONNECTOR CABLE. COLORS AND PIN NUMBERS FOR CONNECTOR CABLE ARE SAME AS MTG CORD.
 - FOR ADDITIONAL CONNECTION INFORMATION ON STATION BUSY LAMP, REFER TO SECTION 502-110-100.

A. 1A1-1A2 KTS WIRED FOR BUSY LAMP AND I HOLD WITH M16C OR H CORD TERMINATED IN TEL SET



STATION BUSY LAMP I HOLD 1A1-1A2 KTS			
	LEAD	FROM	TO
WITH BUSY LAMP (Y) OPTION	(BR)	N	L2†
	(V-S)	N	L2†
	535K DIODE (ORDERED SEPARATELY)		L2† TO G†
	(O-BK)	N	3
	(Y)	M	G†
WITHOUT BUSY LAMP (X) OPTION	M/W CORD	N TO M	
	(BR)	N	G†
	(V-S)	N	G†
	(O-BK)	N	3
WITH OR WITHOUT BUSY LAMP	(Y)	M	G†
	M/W CORD	N TO M	
	(S-V)	L1†	N
(V-S)	N	N	

- * INSULATE AND STORE
 † NETWORK TERMINAL-UNDESIGNATED TERMINALS ARE ON KEY TERMINAL BOARD
 ‡ 161A ADAPTERS REQUIRED TO CONNECT M16C OR H CORD AT 66-TYPE CONN BLK

LS LINE SWITCH
 H HOLD KEY

B. 1A1-1A2 KTS WIRED FOR BUSY LAMP AND I HOLD WITH M16C OR H CORD TERMINATED AT 66-TYPE CONN BLK

Fig. 5—Optional Features with 4A Speakerphone (Sheet 3 of 3)†