

SERVICE

565GK TELEPHONE SETS

1. GENERAL

1.01 This section provides connection information for the 565GK telephone set.

1.02 This section is reissued to:

- Revise Fig. 2 to include connector pin numbers for 1A KTS modification
- Add station busy lamp circuit with 4A speakerphone, Fig. 3

2. CONNECTIONS

2.01 These sets are factory-wired for use with 1A1 or 1A2 KTS, 3-type or 4A speakerphone, and individual or common line ringer. Hold feature is not provided.

2.02 All convertible key positions are supplied as pickup keys. To convert from pickup (locking) to signaling (nonlocking), remove the P-12A892 screw detail from key positions involved. Make necessary wiring changes as shown in Table A.

2.03 When used with 1A KTS, modify set as shown in Fig. 2 or 3.

2.04 Early model sets were furnished from the factory equipped with H1A (MD) ringer, current models have H1B ringer.

2.05 A P-25E962 auxiliary terminal strip is available for auxiliary services such as buzzers, lamps, etc. It must be ordered separately.

2.06 A D-179935 Kit of Parts can be installed in the 565GK set when the exclusion feature is required. It must be ordered separately.

2.07 When a 565GK set is multiplied with any other set furnishing speakerphone features, certain leads must be disconnected, insulated and stored to avoid interference with working circuits. The lead designations of leads to be removed are as follows; T1, R1, P3, P4, AG, and LK. Speakerphone connections are shown in Division 512.

2.08 Installation of optional items such as exclusion, auxiliary terminals strips, etc, and maintenance information common to 6-button sets can be found in Section 502-500-120.

2.09 Use an A20B connector cable when speakerphone and exclusion features are not provided.

TABLE A
PICKUP-SIGNAL KEY CONVERSION

KEY TEL SET	CONVERTIBLE KEY OPTIONS	KEY LEADS		
		(BR)	(Y) [Y-BR]	(BR-BK)
565GK	PPPPPP	M	M	M
	PPPPPS	M	M	SG
	PPPPSS	M	SG	SG
	PPSSSS	SG	SG	SG

() Current color code.

[] MD color code.

SECTION 502-541-414

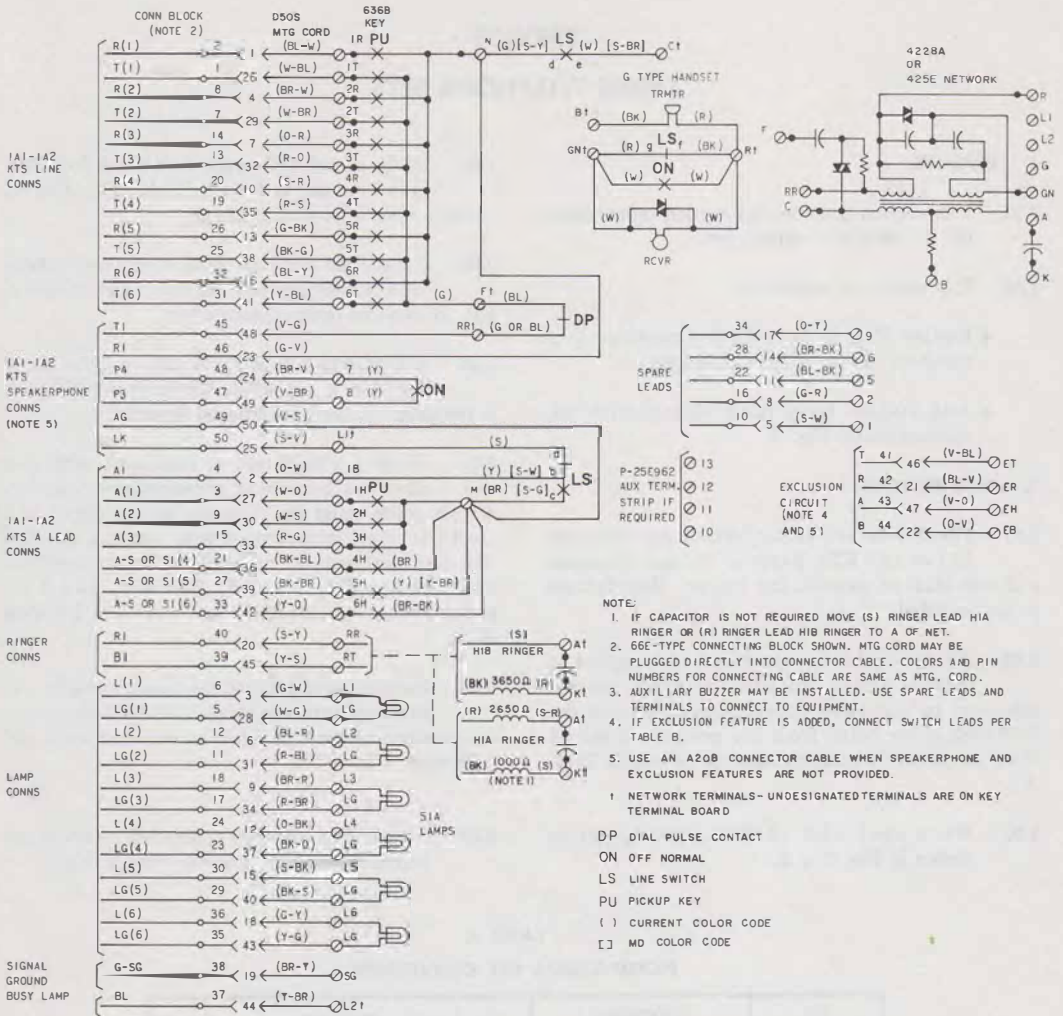


Fig. 1—565GK Telephone Set, Connections

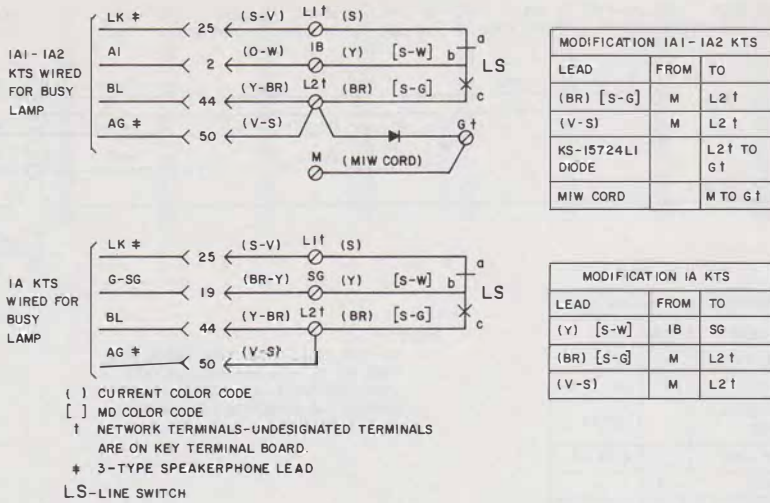


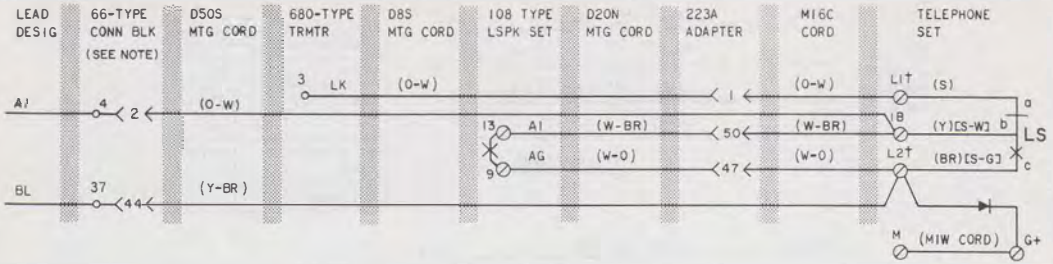
Fig. 2—Station Busy Lamp Circuit with 3-Type Speakerphone

TABLE B
 CONNECTIONS FOR LINE EXCLUSION KEY

EXCLUSION	KEY TEL SYS	EXCLUSION KEY LEADS							
		BL-W	W-BL	O-W	W-O	BL-V	V-BL	O-V	V-O
On any line	1A	R*	T*	EB	EH	ER	ET	EB	EH
	1A1 or 1A2	R*	T*	EB	H*	ER	ET	EB	EH

*Terminal of line to be excluded.

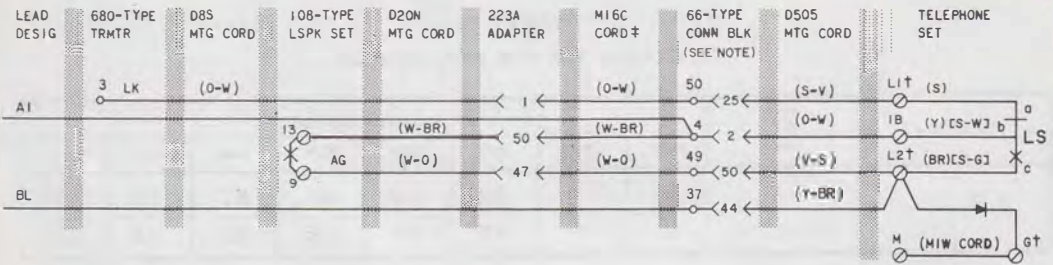
SECTION 502-541-414



MODIFICATION IA1-IA2 KTS		
LEAD	FROM	TO
{BR} [S-G]	M	L2†
(W-O)	M	L2†
KS-15724L1 DIODE		L2† TO G†
MIW CORD		M TO G†
(S-V)	L1†	*
(V-S)	M	*

NOTE:
66-TYPE CONNECTING BLOCK SHOWN. MTG CORD MAY BE PLUGGED DIRECTLY INTO CONNECTOR CABLE. COLORS AND PIN NUMBERS FOR CONNECTOR CABLE ARE SAME AS MTG CORD.

A. IA1-IA2 KTS WIRED FOR BUSY LAMP WITH M16C CORD TERMINATED IN TEL SET

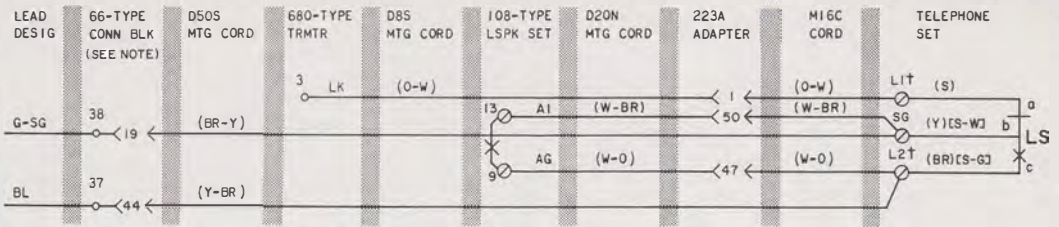


MODIFICATION IA1-IA2 KTS		
LEAD	FROM	TO
{BR} [S-G]	M	L2†
(V-S)	M	L2†
KS-15724L1 DIODE		L2† TO G†
MIW CORD		M TO G†

* INSULATE AND STORE
† NETWORK TERMINAL-UNDESIGNATED TERMINALS ARE ON KEY TERMINAL BOARD
‡ 161A ADAPTERS REQUIRED TO CONNECT M16C CORD AT 66-TYPE CONN BLK
() CURRENT COLOR CODE
{ } MD COLOR CODE
LS LINE SWITCH

B. IA1-IA2 KTS WIRED FOR BUSY LAMP WITH M16C CORD TERMINATED AT 66-TYPE CONN BLK

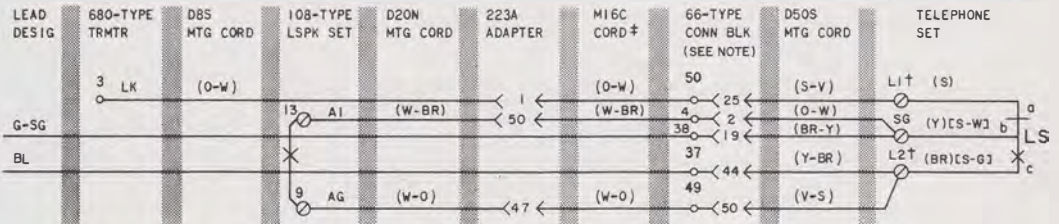
Fig. 3—Station Busy Lamp Circuit with 4A Speakerphone (Sheet 1 of 2)



MODIFICATION IA KTS		
LEAD	FROM	TO
(Y) [S-W]	IB	SG
(BR) [S-G]	M	L2†
(W-O)	M	L2†
(S-V)	L1†	*
(V-S)	M	*
(W-BR)	IB	SG

NOTE:
66-TYPE CONNECTING BLOCK SHOWN. MTG CORD MAY BE PLUGGED DIRECTLY INTO CONNECTOR CABLE. COLORS AND PIN NUMBERS FOR CONNECTOR CABLE ARE SAME AS MTG CORD.

A. IA KTS WIRED FOR BUSY LAMP WITH M16C CORD TERMINATED IN TEL SET



MODIFICATION IA KTS		
LEAD	FROM	TO
(Y) [S-W]	IB	SG
(BR) [S-G]	M	L2†
(V-S)	M	L2†
(O-W)	IB	SG

* INSULATE AND STORE
† NETWORK TERMINAL-UNDESIGNATED TERMINALS ARE ON KEY TERMINAL BOARD
‡ 161A ADAPTERS REQUIRED TO CONNECT M16C CORD AT 66-TYPE CONN BLK
() CURRENT COLOR CODE
ε 1 MD COLOR CODE
LS LINE SWITCH

B. IA KTS WIRED FOR BUSY LAMP WITH M16C CORD TERMINATED AT 66-TYPE CONN BLK

Fig. 3—Station Busy Lamp Circuit with 4A Speakerphone (Sheet 2 of 2)