

## SERVICE

### 565HD TELEPHONE SET

#### 1. GENERAL

1.01 This section provides connection information for the 565HD (MD) telephone set.

1.02 Reissued to:

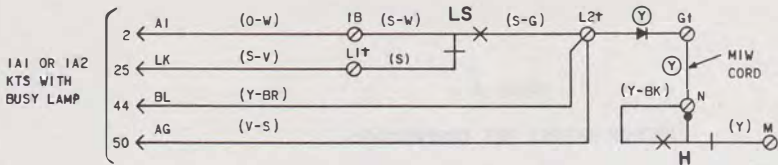
- Change Fig. 1
- Remove maintenance information
- Revise Fig. 2, Optional Features

1.03 Refer to Section 502-500-120 for maintenance information.

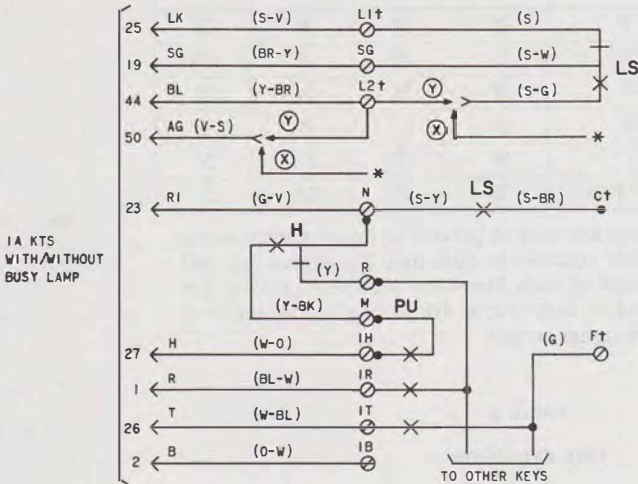
#### 2. CONNECTIONS

2.01 Exclusion and speakerphone leads must be disconnected and stored using KS-19147, L1 cord insulators when two or more 565HD (MD) sets are connected in multiple. This avoids interference with working circuits. The lead designations of leads to be removed are as follows; T1, P3, P4, LK, AG, R1, T, R, A or H, and B.

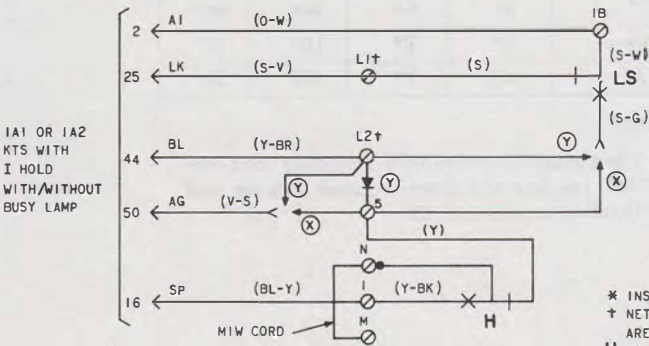




MODIFICATION		
LEAD	FROM	TO
(S-G)	N	L2
MIW CORD		G TO N
DIODE		L2 TO G
(V-S)	N	L2



MODIFICATION		
LEAD	FROM	TO
(S-W)	IB	SG
(S-G)	N	(X) *
		(Y) L2
(V-S)	N	(X) *
		(Y) L2
(G-V)	R	N
(S-Y)	R	N
(Y)	M	R
(Y-BK)	N	M



MODIFICATION		
LEAD	FROM	TO
(S-G)	N	(X) 5
		(Y) L2
(V-S)	N	(X) 5
		(Y) L2
(Y-BK)	N	I
(Y)	M	5
MIW CORD		N TO M
DIODE		L2 TO 5

\* INSULATED AND STORED  
 † NETWORK TERMINALS-UNDESIGNATED TERMINALS ARE ON KEY TERMINAL BOARD.

H HOLD KEY  
 PU PICKUP KEY  
 LS LINE SWITCH

(X) WITHOUT BUSY LAMP  
 (Y) WITH BUSY LAMP (KS-15724, L1 DIODE)

TPA 543034

◆ Fig. 2—Optional Features for 565HDR (MD) Telephone Set ◆

**TABLE A**  
**PICKUP SIGNAL KEY CONVERSION**

KEY TEL SET	CONVERTIBLE KEY OPTIONS	KEY LEADS			
		Y-BR	BR	S-BR	BK-BR
565HDR (MD)	HPPPPP	M	M	M	X
	HPPPPS	M	M	M	SG
	HPPSSS	M	M	SG	X
	HPSSSS	M	X	SG	X
	HPPP*P*S*	M	X	5H	N
	HPP*P*P*S*	X	X	5H	N

\* These pickup key options are used on private or intercommunicating lines with the signal key common to each line. The signal key will operate the signal circuit of each line when associated pickup key is depressed. Use *S* lead on 2nd, 3rd, or 4th pickup key as required, and *G* lead for common signal ground.

**TABLE B**  
**LINE EXCLUSION**

EXCLUSION	KEY TEL SYS	EXCLUSION KEY LEADS			
		R-Y	G-Y	BR-R	BK-W
On Any Line	1A	R*	T*	1B†	H*
	1A1	R*	T*	EB	H*

\* Terminal of line involved.

† When other than line 1 is excluded, remove O-W mounting cord conductor from terminal 1B; insulate and store. Connect balance lead cord conductor of line involved to terminal 1B.