

SERVICE

2555B, 2555BM, AND 2555BMP TELEPHONE SETS

1. GENERAL

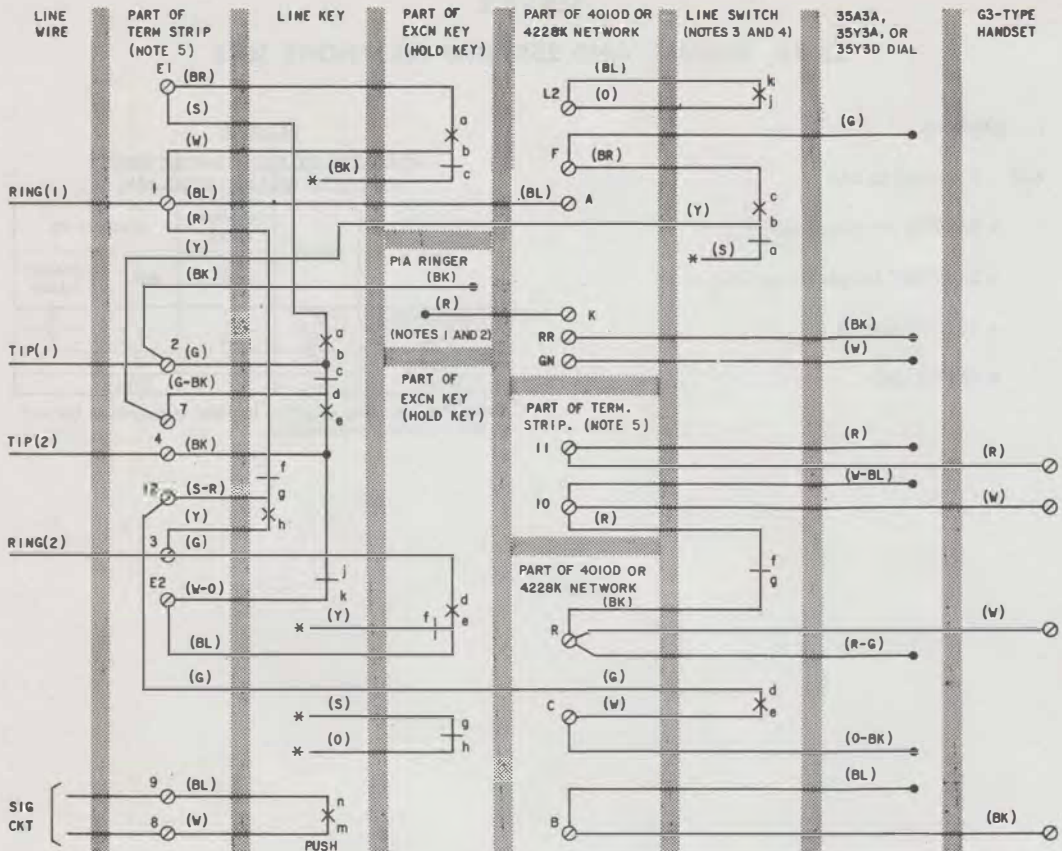
1.01 Reissued to add:

- 2555BM telephone set, Fig. 2
- 2555BMP telephone set, Fig. 3
- 4228K network
- 35Y3D dial

TABLE A
POLARITY GUARD CONNECTIONS
(P-90D053 GUARD ASSEMBLY)

LEAD	COLOR	REMOVE FROM	CONNECT TO	
		NET.	NET.	POLARITY GUARD
Line Switch	W	C		S
Dial	BK	RR		T
Polarity Guard	W		C	
	G		RR	

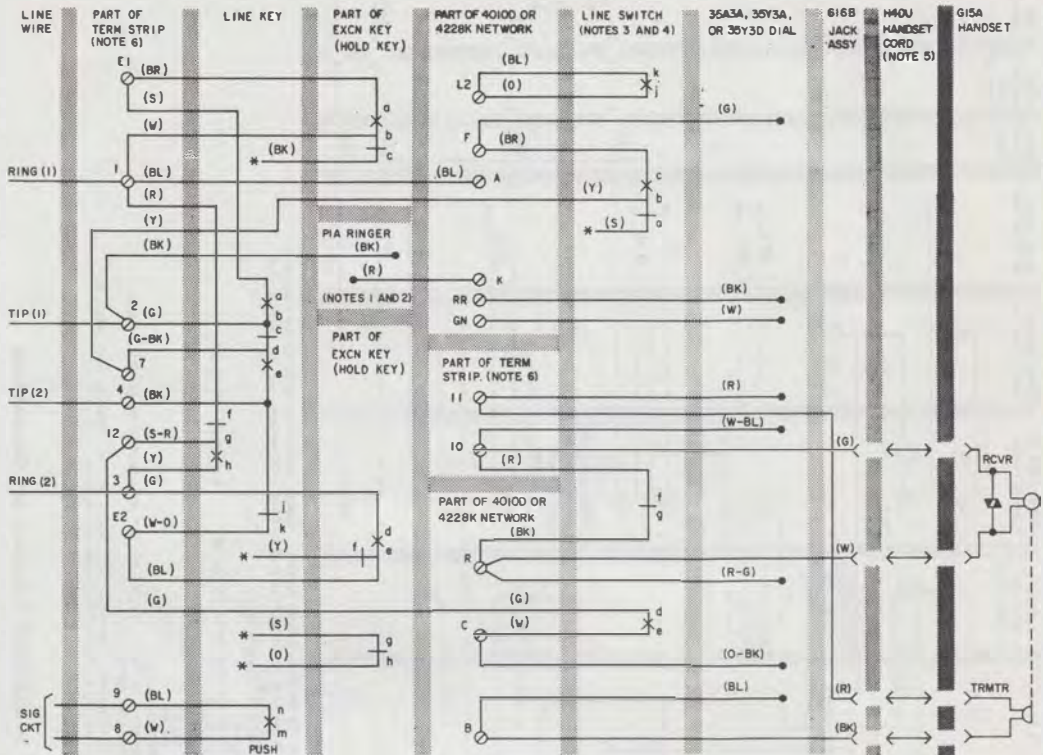
Note: For use when specified by local instructions for end-to-end signaling installations.



- NOTES:
- SETS ARE FACTORY WIRED FOR BRIDGED RINGING SERVICE. RINGER CONNECTIONS PROVIDE FOR RINGING ON LINE 1. FOR RINGING ON LINE 2, CONNECT (BL) STRAP FROM A OF NETWORK AND (BK) RINGER LEAD TO TERMINALS 3 AND 4 RESPECTIVELY.
 - TO SILENCE RINGER PERMANENTLY, CONNECT (BK) RINGER LEAD TO K OF NETWORK.
 - CURRENT PRODUCTION SETS DO NOT HAVE CONTACTS j-k AND ASSOCIATED (O) AND (BL) LEADS.
 - LINE SWITCH SEQUENCE, HANDSET REMOVED:

bc - MAKES	db - BREAKS
dø - MAKES	fg - BREAKS
 - WHEN 4228K NETWORK IS PROVIDED, TERMINALS 10, 11, AND 12 ON THE TERMINAL STRIP SHALL BE REPLACED BY TERMINALS L2, G, AND L1, RESPECTIVELY ON THE NETWORK. (SEE NOTE 3)
- * INSULATE AND STORE

Fig. 1—2555B Telephone Set, Connections

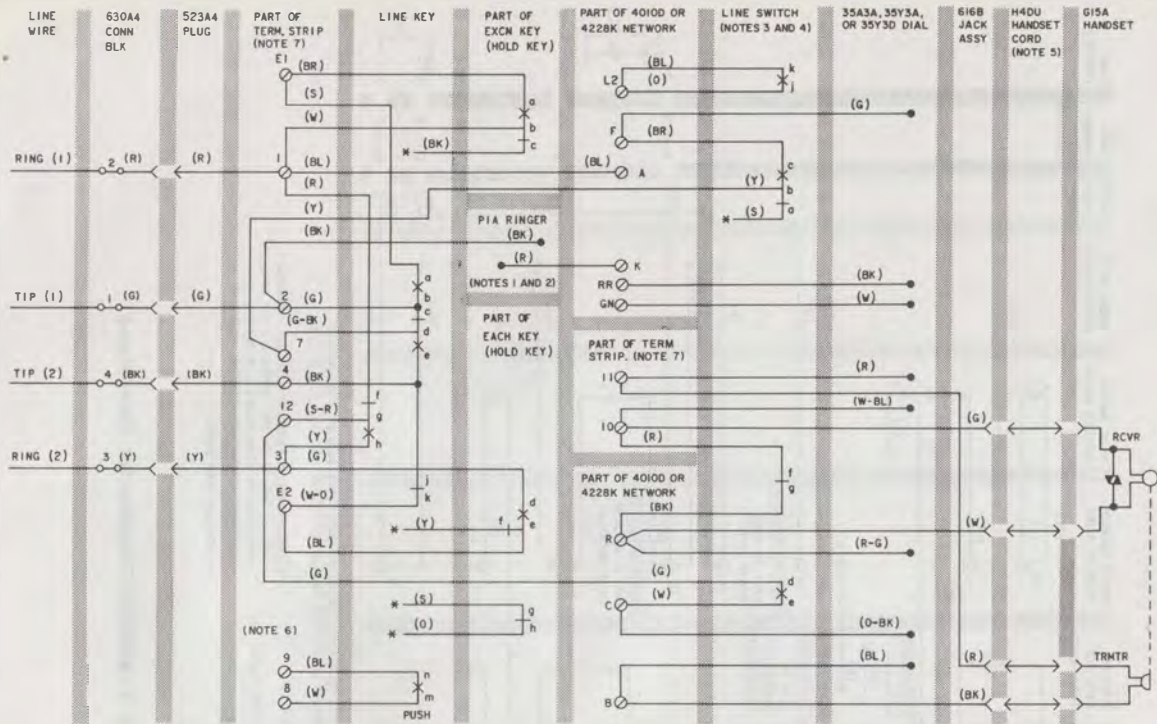


NOTES:

1. SETS ARE FACTORY WIRED FOR BRIDGED RINGING SERVICE. RINGER CONNECTIONS PROVIDE FOR RINGING ON LINE 1. FOR RINGING ON LINE 2, CONNECT (BL) STRAP FROM A OF NETWORK AND (BK) RINGER LEAD TO TERMINALS 3 AND 4 RESPECTIVELY.
2. TO SILENCE RINGER PERMANENTLY, CONNECT (BK) RINGER LEAD TO K OF NETWORK.
3. CURRENT PRODUCTION SETS DO NOT HAVE CONTACTS j-k AND ASSOCIATED (O) AND (BL) LEADS.
4. LINE SWITCH SEQUENCE, HANDSET REMOVED:
bc - MAKES ab - BREAKS
de - MAKES fg - BREAKS
5. H4DU CORD MUST BE ORDERED SEPARATELY
6. WHEN 4228K NETWORK IS PROVIDED, TERMINALS 10, 11 AND 12 ON THE TERMINAL STRIP SHALL BE REPLACED BY TERMINALS L2, G AND L1, RESPECTIVELY ON THE NETWORK. (SEE NOTE 3).

* INSULATE AND STORE

Fig. 2—2555BM Telephone Set, Connections



NOTES:

- SETS ARE FACTORY WIRED FOR BRIDGED RINGING SERVICE. RINGER CONNECTIONS PROVIDE FOR RINGING ON LINE 1. FOR RINGING ON LINE 2, CONNECT (BL) STRAP FROM A CF NETWORK AND (BK) RINGER LEAD TO TERMINALS 3 AND 4 RESPECTIVELY.
- TO SILENCE RINGER PERMANENTLY, CONNECT (BK) RINGER LEAD TO K OF NETWORK. * INSULATE AND STORE
- CURRENT PRODUCTION SETS DO NOT HAVE CONTACTS J-K AND ASSOCIATED (O) AND (BL) LEADS.
- LINE SWITCH SEQUENCE, HANDSET REMOVED.
bc - MAKES ab - BREAKS
cd - MAKES fg - BREAKS
- H4DU CORD MUST BE ORDERED SEPARATELY.
- LOCAL SIGNALING THROUGH m-n CONTACTS OF LINE KEY NOT AVAILABLE ON 555BMP TELEPHONE SET DUE TO INSUFFICIENT LINE CONDUCTORS
- WHEN 422BK NETWORK IS PROVIDED, TERMINALS I0, I1, AND I2 ON THE TERMINAL STRIP SHALL BE REPLACED BY TERMINALS L2, G, L1, RESPECTIVELY ON THE NETWORK. (SEE NOTE 3).

Fig. 3—2555BMP Telephone Set, Connections