

SERVICE
2502B TELEPHONE SETS

1. GENERAL

1.01 Reissued to add:

- C4B ringer
- Nontechnical changes to Fig. 1

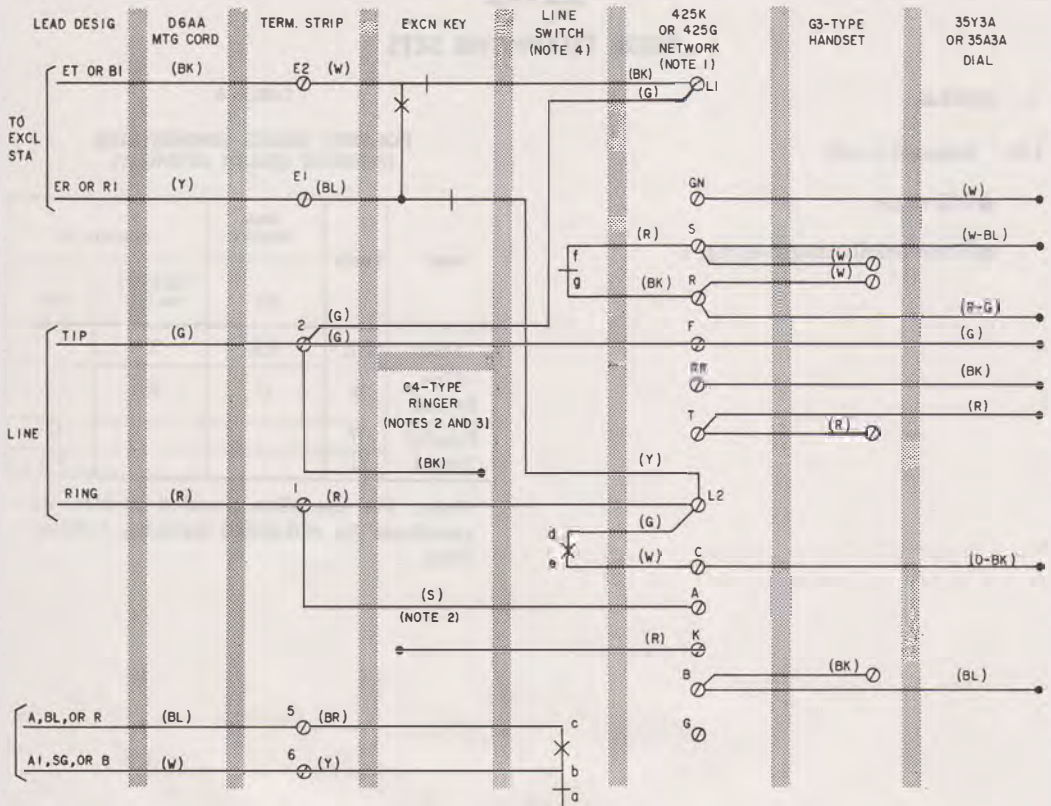
TABLE A

**POLARITY GUARD CONNECTIONS
(P-90D052 GUARD ASSEMBLY)**

LEAD	COLOR	FROM REMOVE	CONNECT TO	
		NET.	POLARITY GUARD	NET.
Dial	BK	RR	T	
Line Switch	W	C	S	
Polarity Guard	W			C
	G			RR

Note: For use when specified by local instructions for end-to-end signaling installations.

10



NOTES:

- ON SETS EQUIPPED WITH A 425G NETWORK, THE LEADS SHOWN CONNECTED TO THE S AND T TERMINALS SHOULD BE CONNECTED TO TERMINALS 10 AND 11 RESPECTIVELY ON THE TERMINAL STRIP.
- SETS ARE FACTORY WIRED FOR BRIDGED RINGING SERVICE. CONNECTIONS FOR C4B RINGER SHOWN, IF C4A RINGER IS USED WIRE AS FOLLOWS:
 (BK) TO 2 OF TERM. STRIP (S-R) TO A OF NETWORK
 (S) TO K OF NETWORK (R) TO 1 OF TERM. STRIP
 REMOVE (S) STRAP FROM A OF NETWORK TO TERMINAL 1.
- TO SILENCE RINGER PERMANENTLY, REMOVE (BK) RINGER LEAD FROM 2 OF TERMINAL STRIP, INSULATE AND STORE.
- LINE SWITCH SEQUENCE, HANDSET REMOVED:
 bc - MAKES
 de - MAKES
 fg - BREAKS

TPA 542399

◆Fig. 1—2502B Telephone Set, Connections◆