

SERVICE

511F, 511H, AND 511HM TELEPHONE SETS

1. GENERAL

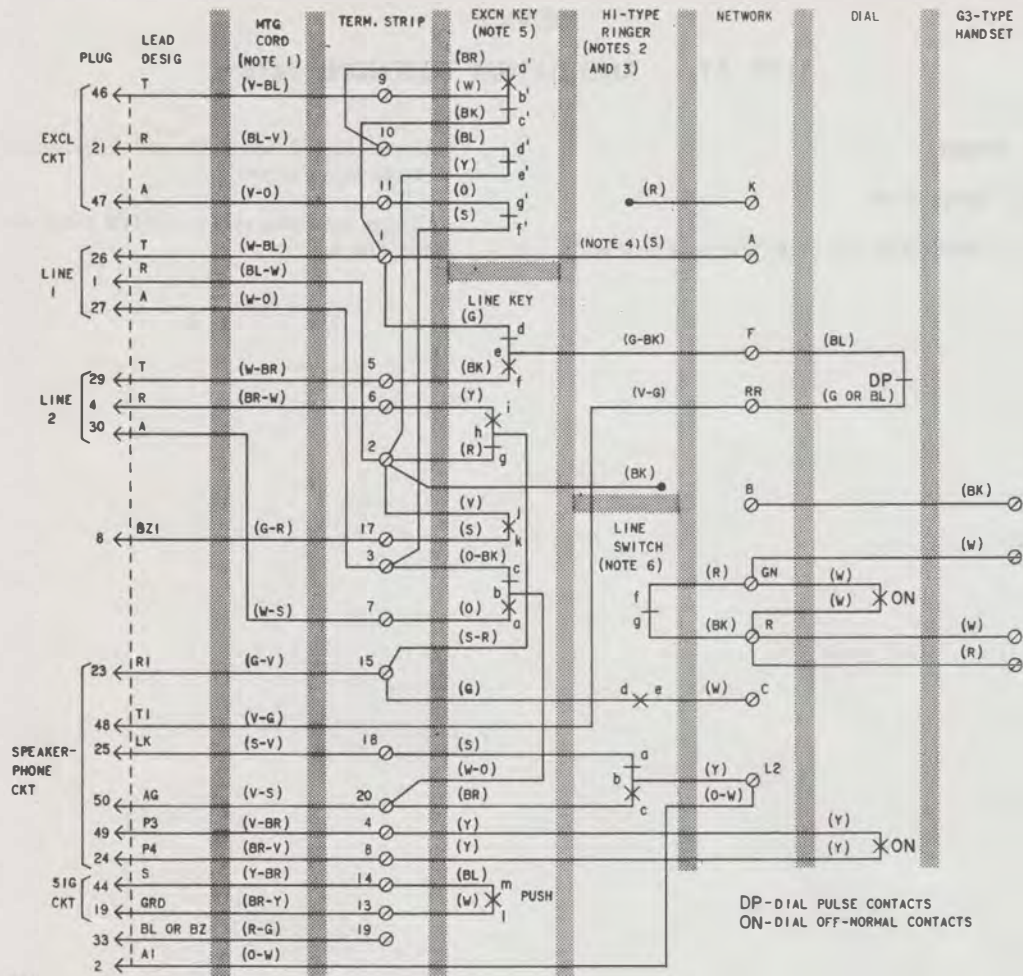
1.01 Reissued to:

- Show 511F and 511H telephone sets MD

- Delete 511FM telephone set information (never manufactured)
- Change mounting cord on 511HM telephone set, Fig. 2.

NOTICE

Not for use or disclosure outside the
Bell System except under written agreement



NOTES:

1. D20K MOUNTING CORD FOR 511H TELEPHONE SET SHOWN. 511F TELEPHONE SET IS IDENTICAL EXCEPT EQUIPPED WITH D20J SPADE-TIPPED MOUNTING CORD.
2. CONNECTIONS SHOWN PROVIDE FOR RINGING ON LINE 1. FOR RINGING ON LINE 2, MOVE (S) STRAP LEAD FROM TERMINAL 1 TO TERMINAL 5 AND (BK) RINGER LEAD FROM TERMINAL 2 TO TERMINAL 6.
3. TO SILENCE RINGER FOR ALL CLASSES OF SERVICE REFER TO APPROPRIATE SECTION IN DIVISION 501.
4. SETS ARE FACTORY WIRED FOR BRIDGED RINGING SERVICE.

CONNECTIONS FOR HIB RINGER SHOWN.

IF H1A RINGER IS USED WIRE AS FOLLOWS:
 (BK) TO 2 OF TERMINAL STRIP, (S) TO K OF NETWORK, (S-R) TO A OF NETWORK, (R) TO 1 OF TERMINAL STRIP. REMOVE (S) STRAP BETWEEN A OF NETWORK AND 1 OF TERM STRIP.

5. CONNECTIONS SHOWN PROVIDE FOR EXCLUSION ON LINE 1 FOR EXCLUSION ON LINE 2, CONNECT (BK), (Y), AND (S) EXCLUSION SWITCH LEADS TO TERMINALS 5, 6, AND 7, RESPECTIVELY.
6. LINE SWITCH SEQUENCE, HANDSET REMOVED:
 b c- MAKES a b- BREAKS
 d e- MAKES f g- BREAKS

Fig. 1—511F (MD) and H (MD) Telephone Sets, Connections

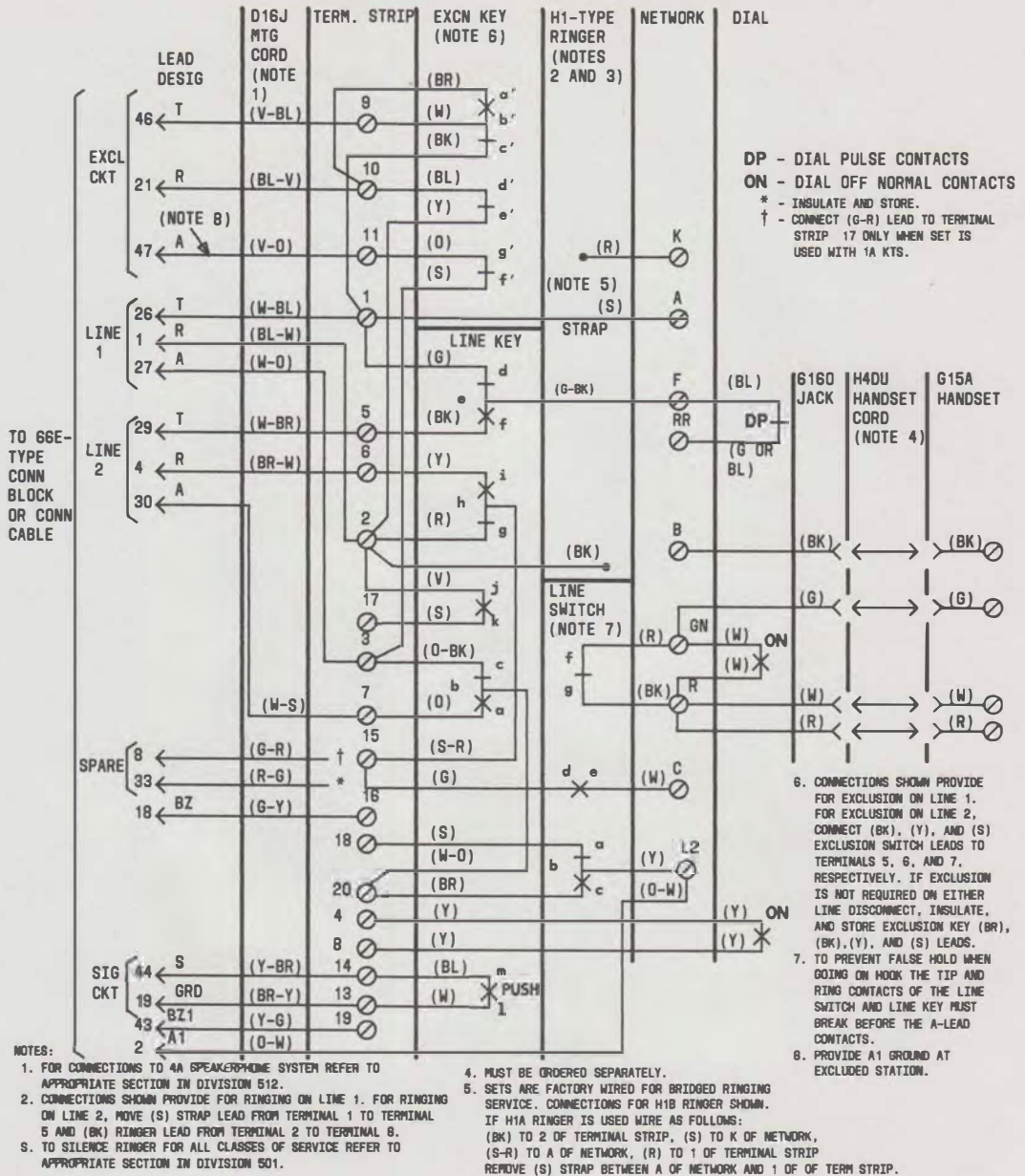


Fig. 2—511HM Telephone Set, Connections