

SERVICE
1554B TELEPHONE SETS

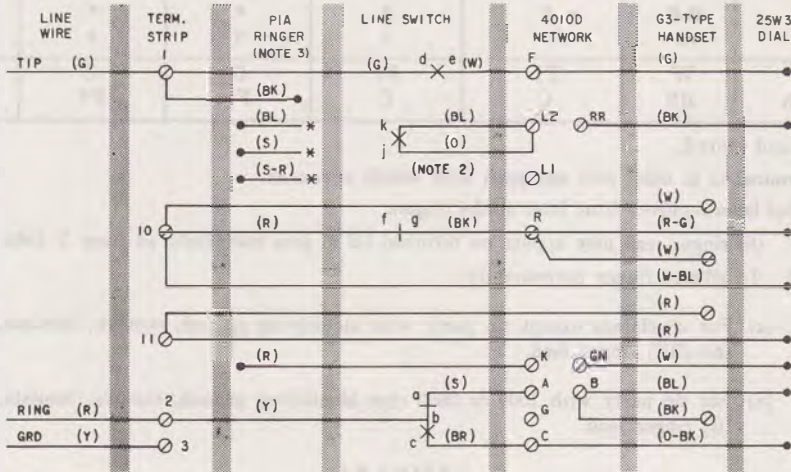
1. GENERAL

- Show (BL) lead removed from later model ringers

1.01 Reissued to:

- Change P-90D053 Guard Assembly to D-180190 Guard Assembly

2



NOTES:

1. WIRED FOR BRIDGED RINGING. REFER TO TABLE A FOR ALL OTHER CLASSES OF SERVICE.
 2. CURRENT PRODUCTION SETS DO NOT HAVE CONTACTS J-K AND ASSOCIATED (O) AND (BL) LEADS.
 3. (BL) LEAD HAS BEEN REMOVED FROM LATE MODEL RINGERS.
- * INSULATED AND STORED

LINE SWITCH SEQUENCE:

- bc- MAKE
- de- MAKE
- qb- BREAK
- fg- BREAK

◆ Fig. 1—1554B (MD) Telephone Set, Connections With 25W3 (MD) Dial ◆

TABLE A
LINE AND RINGER CONNECTIONS

WIRE OR LEAD		INDIVID OR BRIDGED	RING PARTY	TIP PARTY		
				NO IDENT. GROUND	IDENTIFYING GROUND	
					1000Ω	2650Ω
Line Wire	G	1	1	2	2	2
	R	2	2	1	1	1
	Y	3	3	3	3	3
Ringer Leads	R	K	K	K	K	K
	BK	1	3	3	3	3
	S	*	*	*	B	*
	S-R	*	*	*	*	B
BL †	*	*	*	*	*	*
Line Switch	W	F†	F†	C	C	C
	BR	C	C	F†	F†	F†

*Insulated and stored.

†May be terminal G in older sets equipped with 4010B networks.

‡(BL) lead has been removed from later model ringers.

Notes: 1. (S) ringer lead may appear on terminal L2 in sets manufactured from 2 1964 to 8 1964.

2. To silence ringer permanently:

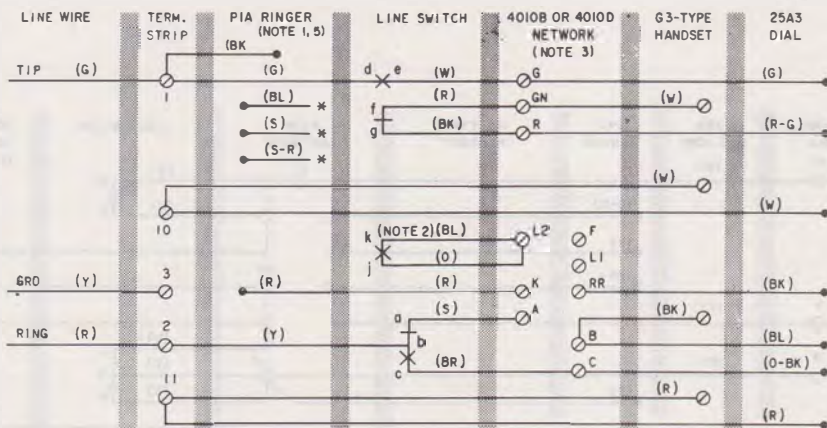
- (a) For all classes except tip party with identifying ground, remove, insulate, and store the (BK) ringer lead.
- (b) For tip party with 1000 or 2650 ohm identifying ground, remove, insulate, and store (R) ringer lead.

♦ TABLE B ♦

POLARITY GUARD CONNECTIONS
(D-180190 GUARD ASSEMBLY)

LEAD	COLOR	DISCONNECT FROM	CONNECT TO	
		NETWORK	NETWORK	POLARITY GUARD
Dial	BK	RR		T
Line Switch	BR	C		S
Polarity Guard	G		RR	
	W		C	

Note: For use when specified by local instructions for end-to-end signaling installations.



NOTES:

- (S) RINGER LEAD MAY APPEAR ON TERMINAL L2 IN SOME SETS.
 - (BL) AND (O) LEADS MAY NOT EXIST ON SOME LINE SWITCHES. IN ADDITION, IN SOME SETS THEY MAY APPEAR ON L1 OF THE NETWORK.
 - (w) LINE SWITCH AND (G) DIAL LEADS MAY APPEAR ON F IN SETS EQUIPPED WITH 4010B NETWORK.
 - WIRED FOR BRIDGED RINGING, REFER TO TABLE A FOR ALL OTHER CLASSES OF SERVICE.
LINE SWITCH SEQUENCE:
bc - MAKE
de - MAKE
ab - BREAK
fg - BREAK
 - (BL) LEAD HAS BEEN REMOVED FROM LATER MODEL RINGERS.
- * INSULATED AND STORED.

◆ Fig. 2—1554B (MD) Telephone Set, Connections With 25A3 (MD) Dial ◆