

## 554BMS AND 2554BMS TELEPHONE SETS

### IDENTIFICATION, INSTALLATION, AND MAINTENANCE

#### 1. GENERAL

1.01 This section contains information for the 554BMS and 2554BMS telephone sets. These telephone sets are intended solely for use with the DIALOG\* Intercom System and should not be directly connected to the public telephone switch network. For additional information on DIALOG Intercom Systems refer to Section 518-411-100—*not for general telephone use.*

1.02 Whenever this section is reissued, the reason(s) for reissue will be listed in this paragraph.

1.03 The 554BMS (Fig. 1) and 2554BMS (Fig. 2) telephone sets look similar to the 554BMP and 2554BMP telephone sets except the BMS telephones do not have the 523A3 plug. They must be hard-wired to the DIALOG Intercom System. Internally the sets come equipped with a KS-20419L1 buzzer and a C4B (554BMS) or a P1B (2554BMS) ringer, and are wired for A lead capability.

#### 2. IDENTIFICATION

##### A. Ordering Guide

2.01 Order as follows:

- Set, Telephone, 554BMS-†
- Set, Telephone, 2554BMS-†.

##### B. Replaceable Components

2.02 The following are replaceable components:

- Dial, 35Y3D (2554BMS)
- Dial, 9CA (554BMS)
- Buzzer, KS-20419L1

- Handset, G15A †
- Cord, Handset H4DU
- Handset cord, Jack 616C (554BMS)
- Handset cord, Jack 616B (2554BMS)
- Housing, 2554B2-†
- Housing, 554B2-†.

##### C. Design Features

2.03 These sets have the following design features:

- 812161966 Terminal Board for set connections (554BMS)
- 840996698 Terminal Board for set connections (2554BMS)
- KS-20419L1 Buzzer mounted in set
- C4B Ringer (554BMS)
- P1B Ringer (2554BMS)
- G15A Handset
- H4DU-† Modular Handset Cord Arrangement (cord must be ordered separately).

##### D. Application

2.04 These sets are intended for use solely on DIALOG Intercom Systems.

\*Trademark of American Telephone and Telegraph Company

† Refer to Table A for color.

#### NOTICE

Not for use or disclosure outside the  
Bell System except under written agreement



Fig. 1—554BMS Telephone Set

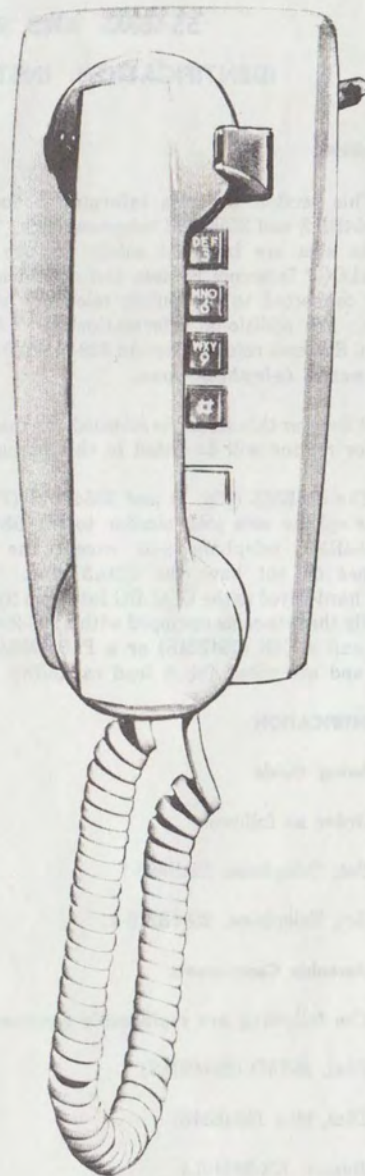


Fig. 2—2554BMS Telephone Set

TABLE A  
COLOR ORDERING GUIDE

COLORS	SUFFIX	554BMS HOUSING COMCODES	2554BMS HOUSING COMCODES
Black	-03	818064032	841019649
Ivory	-50	818064503	841019656
Green	-51	818064511	841019664
Red	-53	818064537	841019672
Yellow	-56	818064560	841019680
White	-58	818064586	841019698
Lt. Beige	-60	818064502	841019706
Aqua Blue	-62	818064628	841019704

### 3. INSTALLATION

**3.01 Planning:** When installing the 554BMS or 2554BMS telephone set and its optional services, consider the following:

- Safety for yourself, customer, and maintenance personnel
- Distance between apparatus and associated equipment
- Space requirements
- General appearance of installation.

**3.02** Install the set as follows.

- (a) To remove the set housing on the 2554BMS telephone loosen the two screws under number plate. To remove the housing on the

554BMS telephone, depress the spring catch located where the handset cord enters the set.

(b) Mount set to wall as follows.

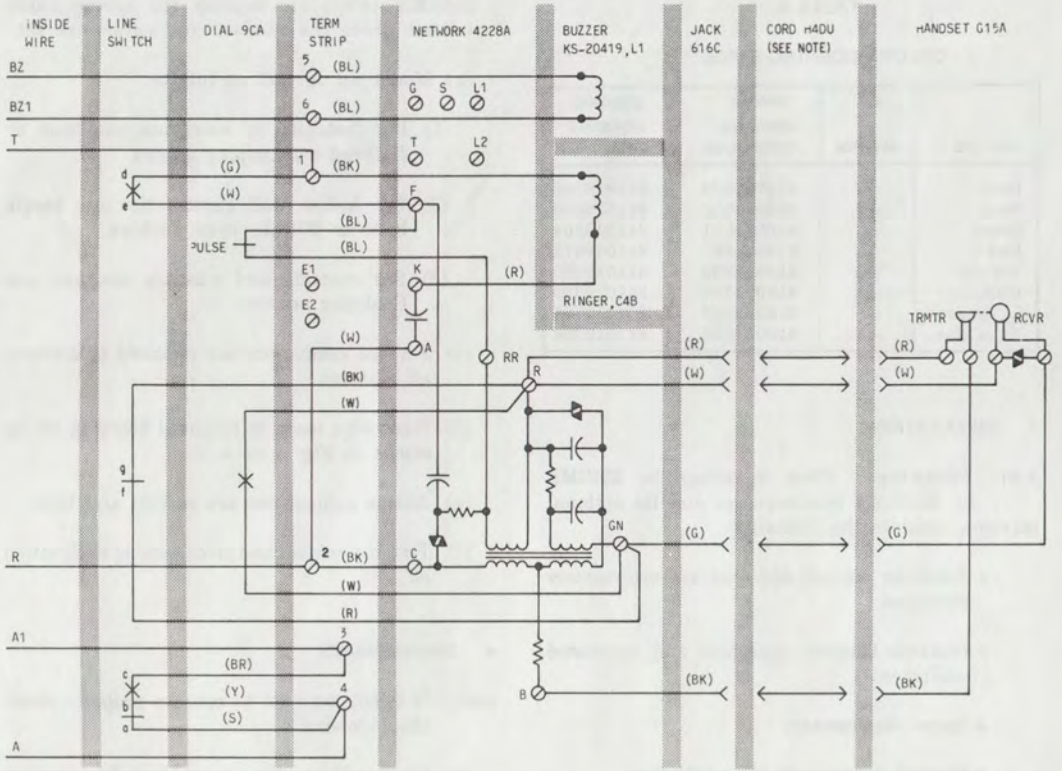
- (1) For fastening to wood, use pan head or flathead self-tapping screws.
  - (2) For hollow wall construction use toggle bolts or B wall screw anchors.
  - (3) For concrete and masonry surfaces, use C plastic anchors.
- (c) Six line conductors are required to activate all features.
- (d) Hard wire leads to terminal board in set as shown in Fig. 3 or 4.
- (e) Assure connections are correct and tight.
- (f) Test, reassemble, and place number designation on set.

### 4. MAINTENANCE

**4.01** If telephone fails to operate properly check the following.

- (a) Use hand test set or meter, check for incoming battery across appropriate terminals shown in Fig. 3 and 4.
- (b) If buzzer fails to operate check for appropriate signal as shown in Fig. 3 and 4. Also check to make sure no leads are touching the buzzer.





NOTE:  
H4DU H4DSET CORD MUST  
BE ORDERED SEPARATELY.

Fig. 3—554BMS Telephone Set Wiring Diagram

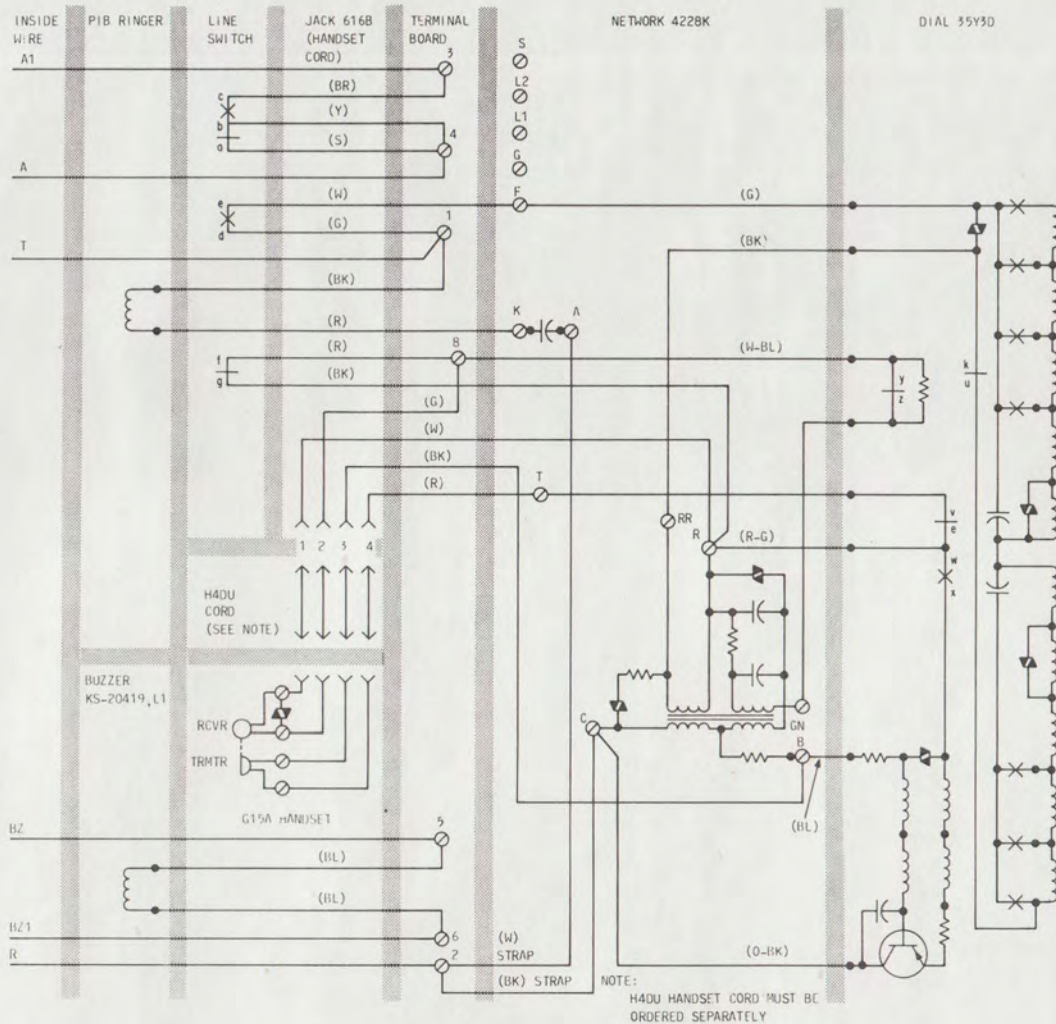


Fig. 4—2554BMS Telephone Set Wiring Diagram