

**SERVICE**  
**462AC AND 466AC TELEPHONE SETS**

**1. GENERAL**

**1.01** This section provides connection information for the 462AC (MD) and 466AC (MD) telephone sets used with the 755A PBX. This information was formerly found in Section 502-529-400.

**1.02** For installation and maintenance information refer to Division 502 section entitled, Telephone Sets - 540, 560, 1560, and 2560 Series, Common Installation and Maintenance Information.

**TABLE A**  
**RINGER LIMITATIONS**

<b>STATION</b>	<b>MAXIMUM RINGERS</b>
Conference	2
Nonconference	4

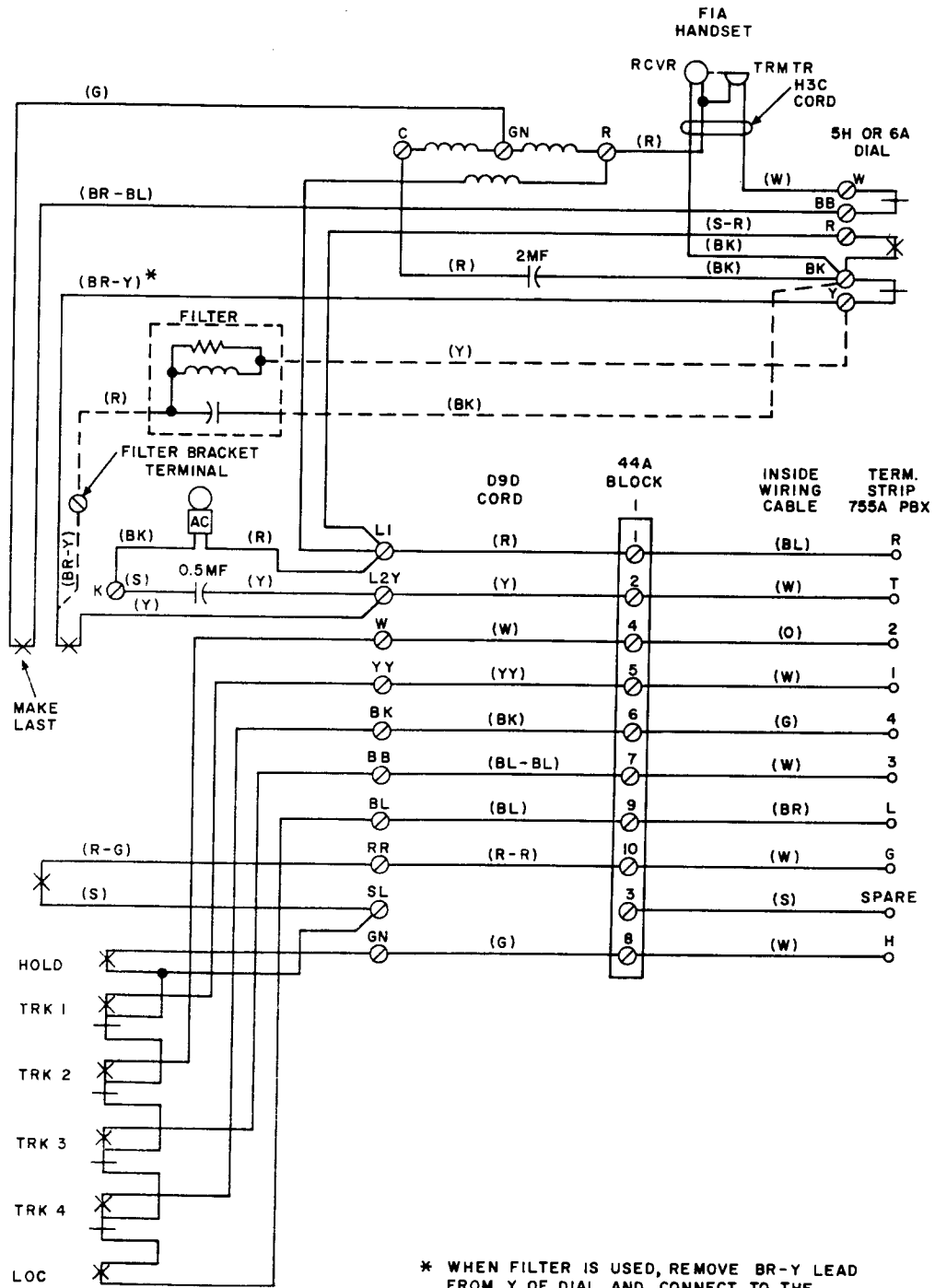
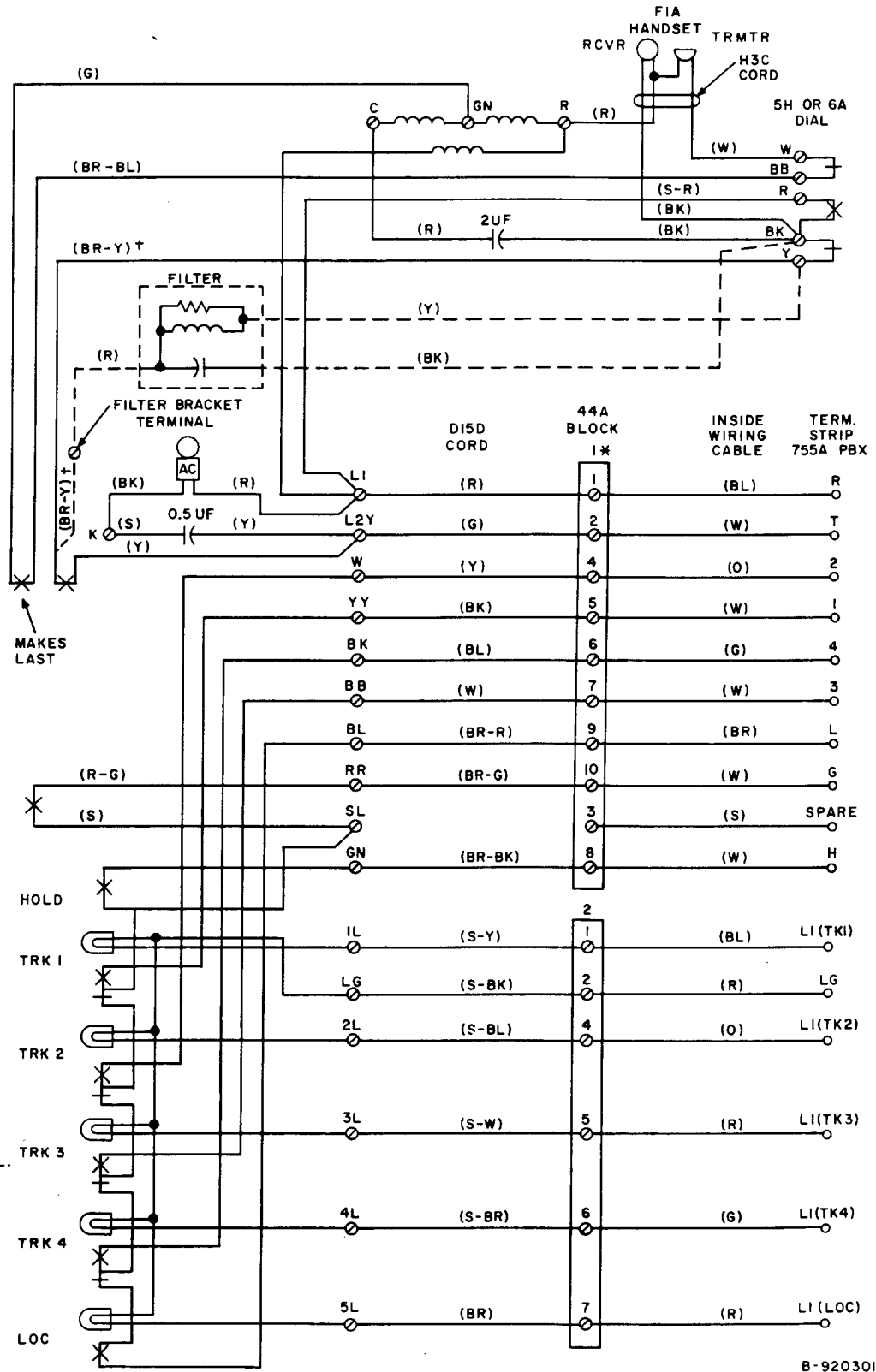


Fig. 1—462AC (MD) Telephone Set Used With 755A Dial PBX



B-920301

Fig. 2—466AC (MD) Telephone Set Used With 755A Dial PBX

\* CONNECTING BLOCK 1 IS BLOCK NEAREST CORD BUTT.  
 † WHEN FILTER IS USED, REMOVE BR-Y FROM Y OF DIAL AND CONNECT TO FILTER BRACKET TERMINAL.