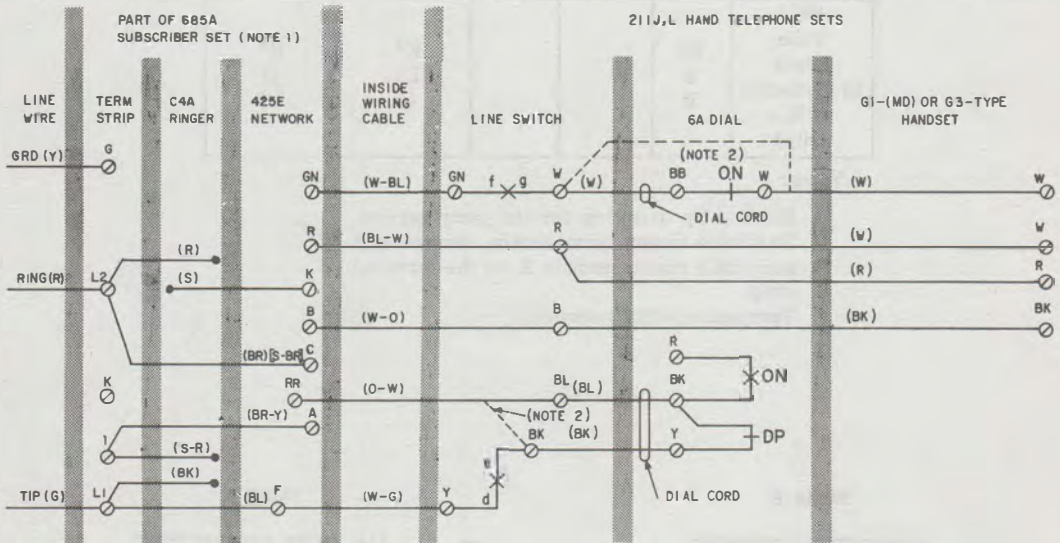


SERVICE

211-TYPE HAND TELEPHONE SETS

1. GENERAL

1.01 Reissued to add nontechnical changes to Fig. 1, 2, and Table A.



NOTES:

1. WIRED FOR BRIDGED RINGING, REFER TO TABLE A FOR ALL OTHER CLASSES OF SERVICE.
2. DASHED LINES INDICATE MANUAL SET CONNECTIONS.
() CURRENT COLOR CODE
[] MD COLOR CODE

DP-DIAL PULSE

ON-OFF NORMAL

LINE SWITCH SEQUENCE:

d e- MAKE

f g- MAKE

Fig. 1—211J/L Hand Telephone Set Connections Used With 685A Subscriber Set

◆ TABLE A ◆

**LINE AND RINGER CONNECTIONS
685A OR 686A SUBSET USED WITH
211J, L, N, OR P HAND TELEPHONE SETS**

WIRE OR LEAD		INDIVIDUAL OR BRIDGED	RING PARTY	NEGATIVE	POSITIVE
				RING STATION (NOTE 1)	
				1 AND 5	3 AND 6
Ringer Leads (Note 2)	R	L2	L2	G	L2
	BK	L1	G	G	L2
	S	K*	K*	A*	A*
	S-R	1	1	K*	K*
426A Tube Leads (3 elements) (686A only)	BK Y R			K* L2 G	K* G L2

Notes:

1. Reverse tip and ring for tip party service.
 2. To silence ringer permanently, connect (R) and (BK) ringer leads to K on the terminal strip.
- * Terminal on 425E network.

TABLE B

ASSOCIATED APPARATUS

CLASS OF SERVICE	SUBSCRIBER SET
Individual Lines 2-Party Flat Rate 2-Party Message Rate (Ring Party Only) 4-Party Semiselective Multiparty Divided Code Regular PBX Stations 750A and 755A Keyless Stations	685A
4-Party Full Selective 8-Party Semiselective	686A

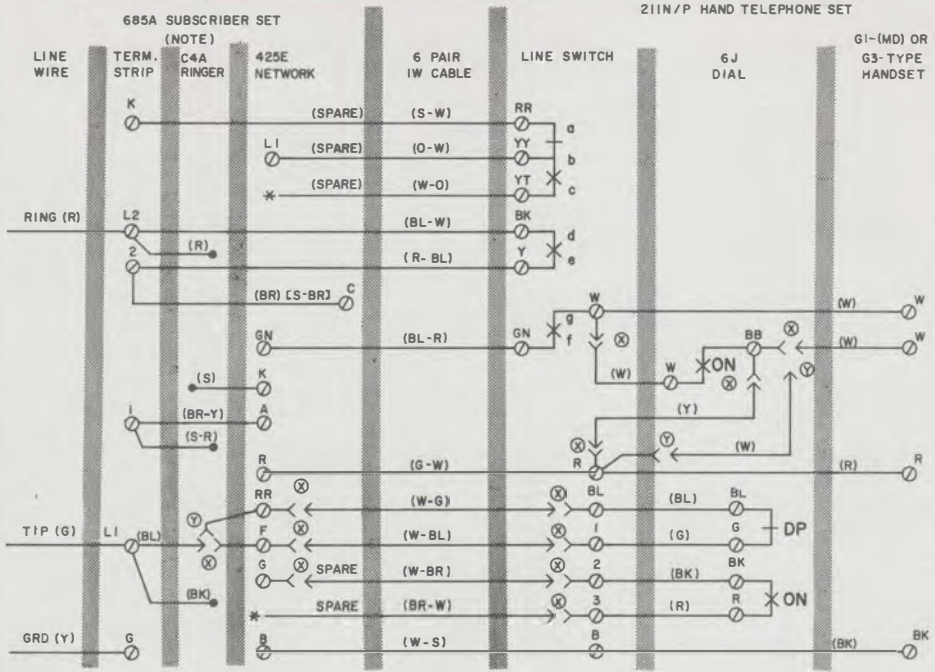
Note: No message rate or tip-party identification can be provided for tip-party station.

TABLE C

61M FILTER CONNECTIONS
(NOTE)

FILTER LEADS (NOTE)	FILTER LEAD TERMINATIONS	
	211J AND L	211P
BK	BK of Dial	BL of Dial
Y	Y of Dial	G of Dial
R	BK of Line Switch	1 of Line Switch

Note: The 211-type set is arranged for, but not equipped with, a 61M filter for radio frequency suppression. When this filter is required, remove lead from G of dial and 1 of the line switch on the 211 J and L sets and Y of dial and BK of the line switch on the 211P set and connect as shown in Table C.



OPTIONS:

- (X) 211P DIAL HAND TELEPHONE SET
- (V) 211N MANUAL HAND TELEPHONE SET

NOTE:

WIRED FOR BRIDGED RINGING, REFER TO TABLE A FOR ALL OTHER CLASSES OF SERVICE.

- * INSULATE AND STORE
- () CURRENT COLOR CODE
- C3 MD COLOR CODE

DP - DIAL PULSE
 ON - OFF NORMAL
 LINE SWITCH SEQUENCE:
 bc - MAKE
 de - MAKE
 ab - BREAK
 fg - MAKE

Fig. 2—211N/P Hand Telephone Set Connections Used With 685A Subscriber Set