

INTERPHONE SYSTEM — 1A HOME

558-TYPE TELEPHONE SETS

CONNECTIONS AND MAINTENANCE

1. CONNECTION INDEX

Table A — 558C/D Telephone Set Modifications for 1A Home Interphone System

Table B — 558F Telephone Set Modifications for 1A Home Interphone System

Fig. 1 — 558C/D Telephone Set Wired for 1A Home Interphone

Fig. 2 — 558F Telephone Set Wired for 1A Home Interphone

Fig. 3 — 558C/D Telephone Set Connected to 1A Home Interphone System

Fig. 4 — 558F Telephone Set Connected to 1A Home Interphone System

TABLE A

**558C/D TELEPHONE SET MODIFICATIONS FOR
1A HOME INTERPHONE**

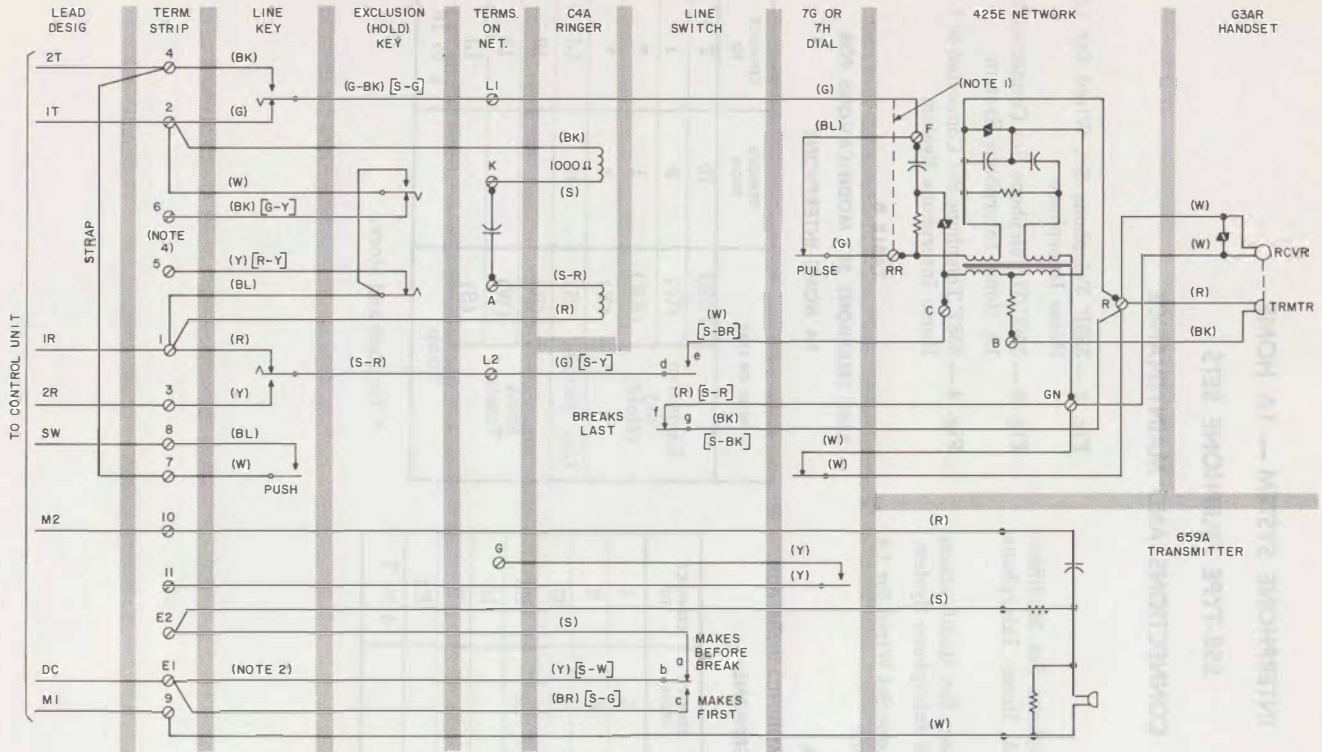
WIRE OR LEAD		REMOVE FROM	CONNECT TO
Exclusion Key (Hold)	(BL)	5	1
	(W)	6	2
Line Switch	(Y) [S-W]	12	E1
	(S)	10	E2
659A Trmtr	(R)		10
	(W)		9
	(S)		E2
Strap			4 to 7

TABLE B

**558F TELEPHONE SET MODIFICATIONS FOR
1A HOME INTERPHONE**

WIRE OR LEAD		REMOVE FROM	CONNECT TO
Exclusion Key (Hold)	(BR)	10	2
	(W)	9	1
	(BK)	1	*
	(Y)	2	*
Line Switch	(S)	18	L1
	(R)		19
659A Trmtr	(W)		16
	(S)		L1
Strap			5 to 13

* Insulate and store.



NOTES:

1. G LEAD IS CONNECTED TO F TERMINAL IN DIAL SETS AND TO RR TERMINAL IN MANUAL SETS.
2. (Y) [S-W] SWITCH HOOK LEAD IS FACTORY-WIRED TO TERMINAL 9. TRANSFER THIS LEAD FROM TERMINAL 9 TO TERMINAL 12, AS REQUIRED.

3. TO SILENCE RINGER PERMANENTLY, CONNECT BK RINGER LEAD TO TERMINAL K ON NETWORK.
4. ON LATER MODEL SETS, CONNECTIONS TO TERMINALS 5 AND 6 HAVE BEEN TRANSPOSED.

() INDICATES CURRENT COLOR CODES.

[] INDICATES MD COLOR CODES.

Fig. 1—558C/D Telephone Set Wired for 1A Home Interphone

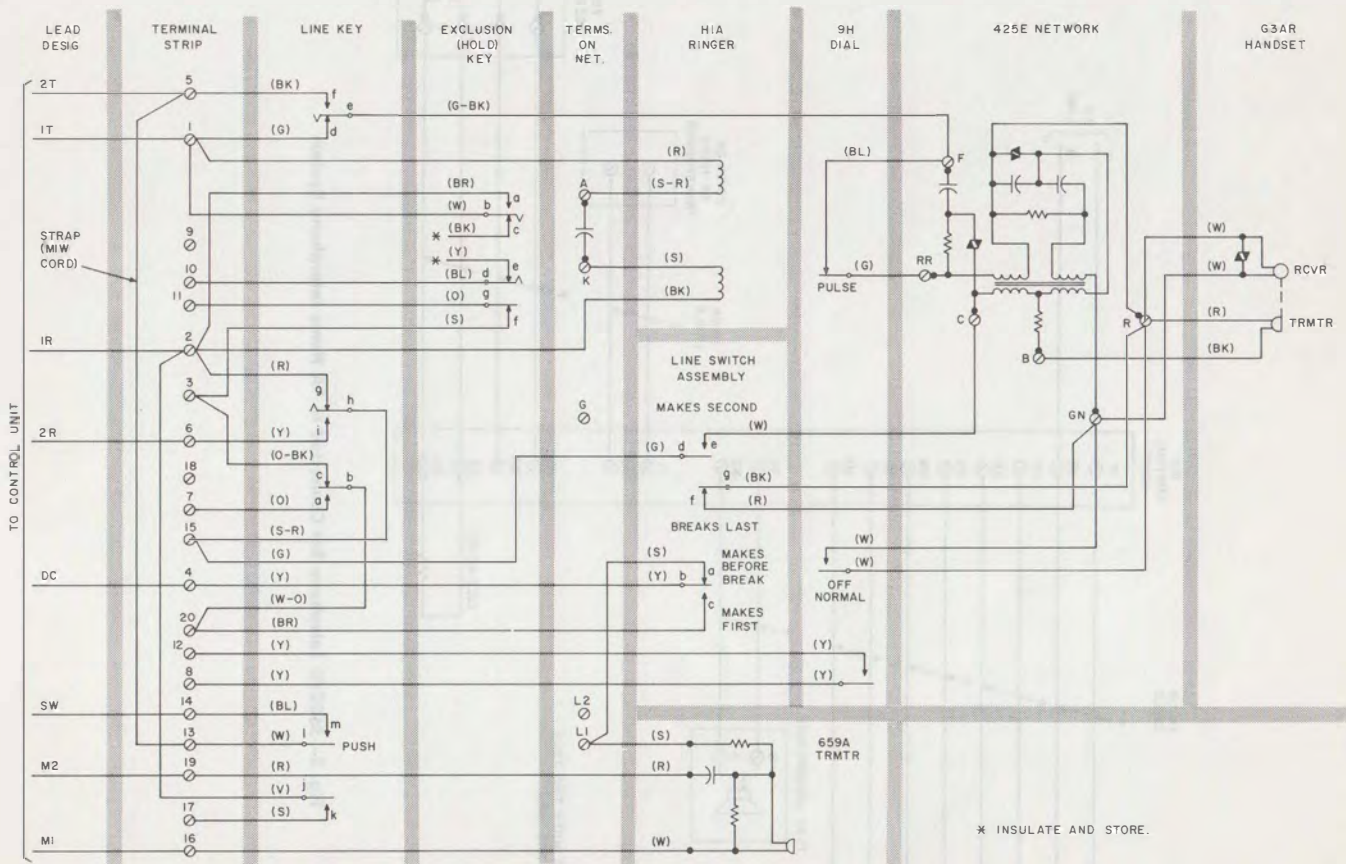
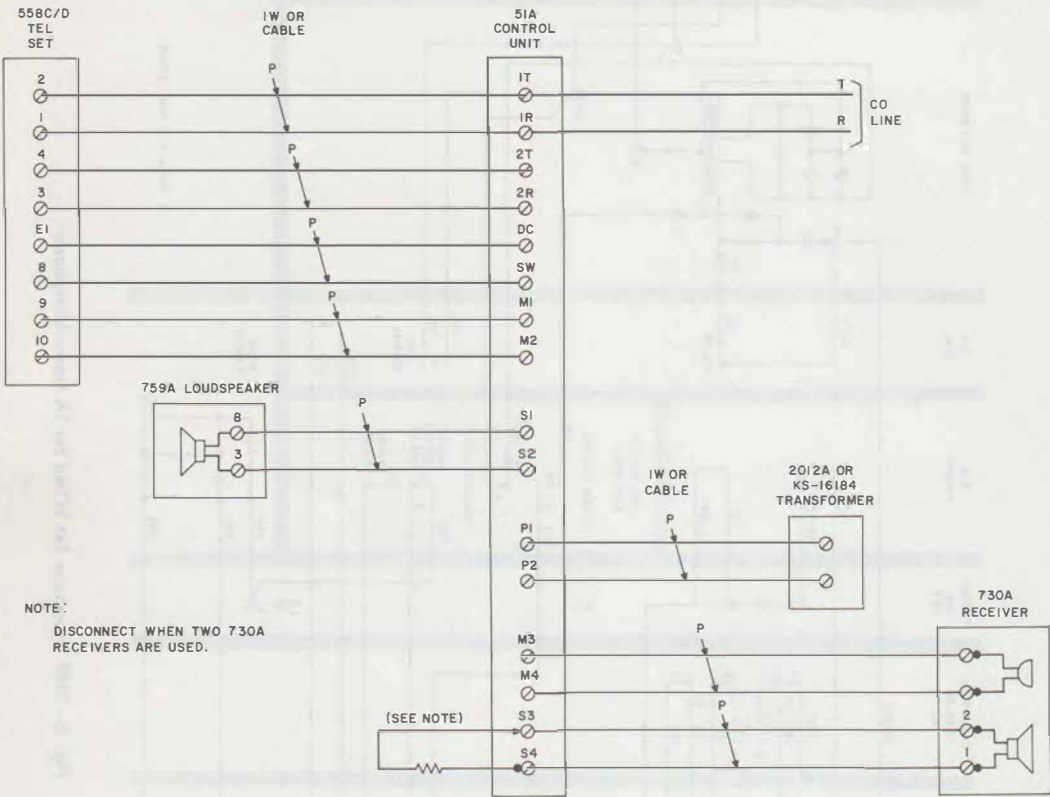


Fig. 2—558F Telephone Set Wired for 1A Home Interphone



NOTE:
DISCONNECT WHEN TWO 730A
RECEIVERS ARE USED.

Fig. 3—558C/D Telephone Set Connected to 1A Home Interphone System

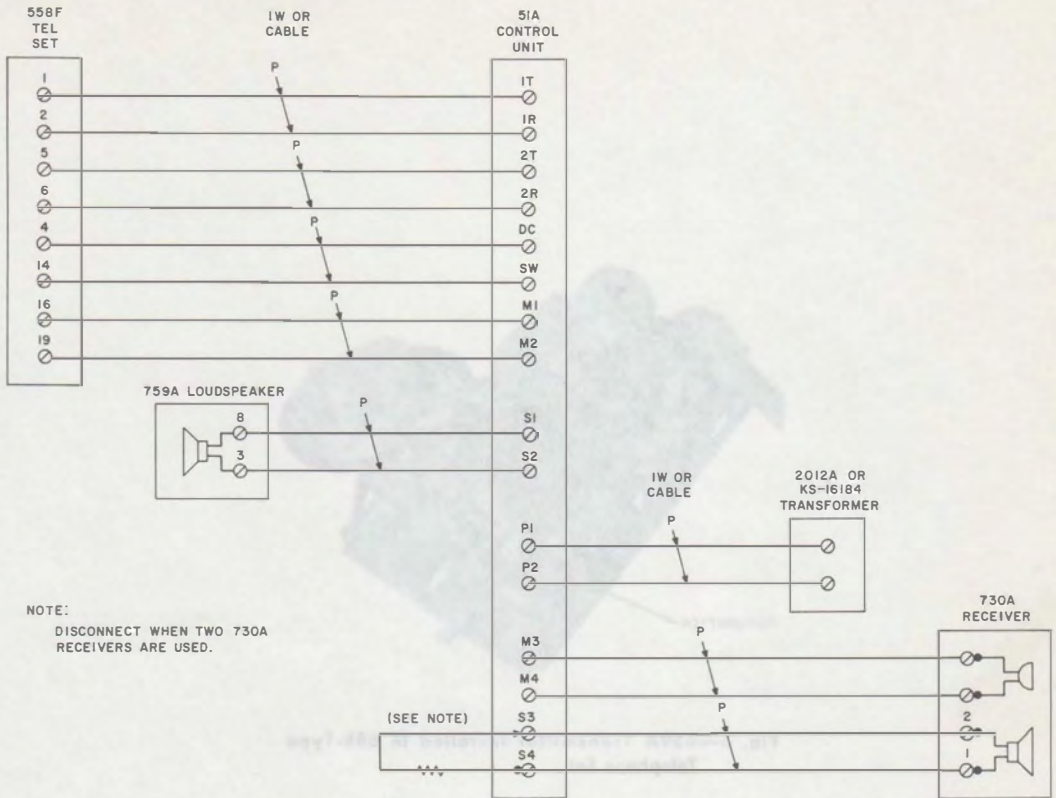


Fig. 4—558F Telephone Set Connected to 1A Home Interphone System

2. MAINTENANCE

- 2.01 To convert a 558-type telephone set for 1A home interphone operation, a 659A transmitter

must be ordered separately and installed inside the set as shown in Fig. 5, using the screws provided.

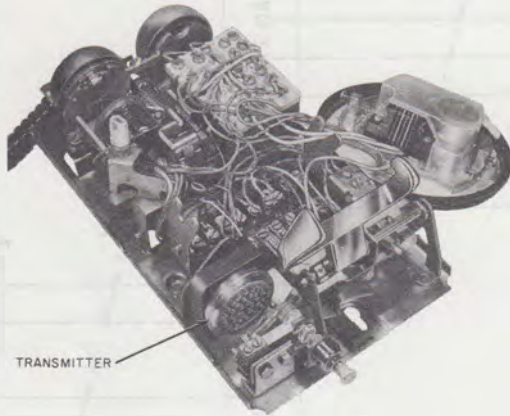


Fig. 5—659A Transmitter Installed in 558-Type Telephone Set