

SERVICE

565LK, 565LKM, AND 565LKMS TELEPHONE SETS

CONNECTIONS

1. GENERAL

1.01 This section contains information for the 565LK (MD), 565LKM (MD), and 565LKMS telephone sets (Fig. 1 and 2).

1.02 Reissued to:

- Show 565LKM telephone set MD
- Show 3-type speakerphone MD
- Add information on 565LKMS telephone set
- Add information on 533K diode.

1.03 ♦The 565LKMS telephone set is similar to the 565LKM except a new line switch is provided to break both the tip and ring side of the line.♦

2. CONNECTIONS

2.01 These sets are factory-wired for use with 1A1 or 1A2 KTS, 4A speakerphone, and individual or common line ringer.

2.02 When used with 1A KTS and optional features, modify set as shown in Fig. 3 or 4.

2.03 The hold key position can be illuminated, but 51A lamp is not furnished with set and must be ordered separately.

2.04 The 4th key position is convertible from line pickup (locking) to signaling (nonlocking) by removal of the 811218924 (P-12A892) screw detail. Arrange wiring as shown in Table A.

2.05 These telephone sets are factory-equipped with a KS-20419L1 (10 volt ac only) buzzer.

2.06 Cutoff of internal station ringer or buzzer can be made using the cutoff key on the 589AJ key. Arrange wiring as shown in Table B. To cutoff an external circuit, arrange wiring as shown in Table C.

2.07 The 565LK sets were furnished from the factory with H1A (MD) ringer; 565LKM and 565LKMS sets have H1B ringer.

2.08 A 812559623 (P-25E962) auxiliary terminal strip (ordered separately) is available for auxiliary services such as buzzers, lamps, etc.

2.09 A D-179935 Kit of Parts (ordered separately) can be installed in the set when the exclusion feature is required. Connections are made in accordance with Table D.

2.10 When a 565LK or 565LKM (manufactured prior to July 20, 1979) telephone set is not used as a speakerphone set and is multiplied with any other set furnishing speakerphone feature, the T1 (V-G) and R1 (G-V) speakerphone leads must be disconnected, insulated, and stored at the telephone set. If not disconnected, these speakerphone leads will provide a common path between the circuits of the multiplied telephone sets. Speakerphone connections are shown in Division 512.

2.11 Installation of optional items such as exclusion, auxiliary terminal strip, etc., and maintenance information common to 6-button sets can be found in Section 502-500-120.

NOTICE

Not for use or disclosure outside the
Bell System except under written agreement

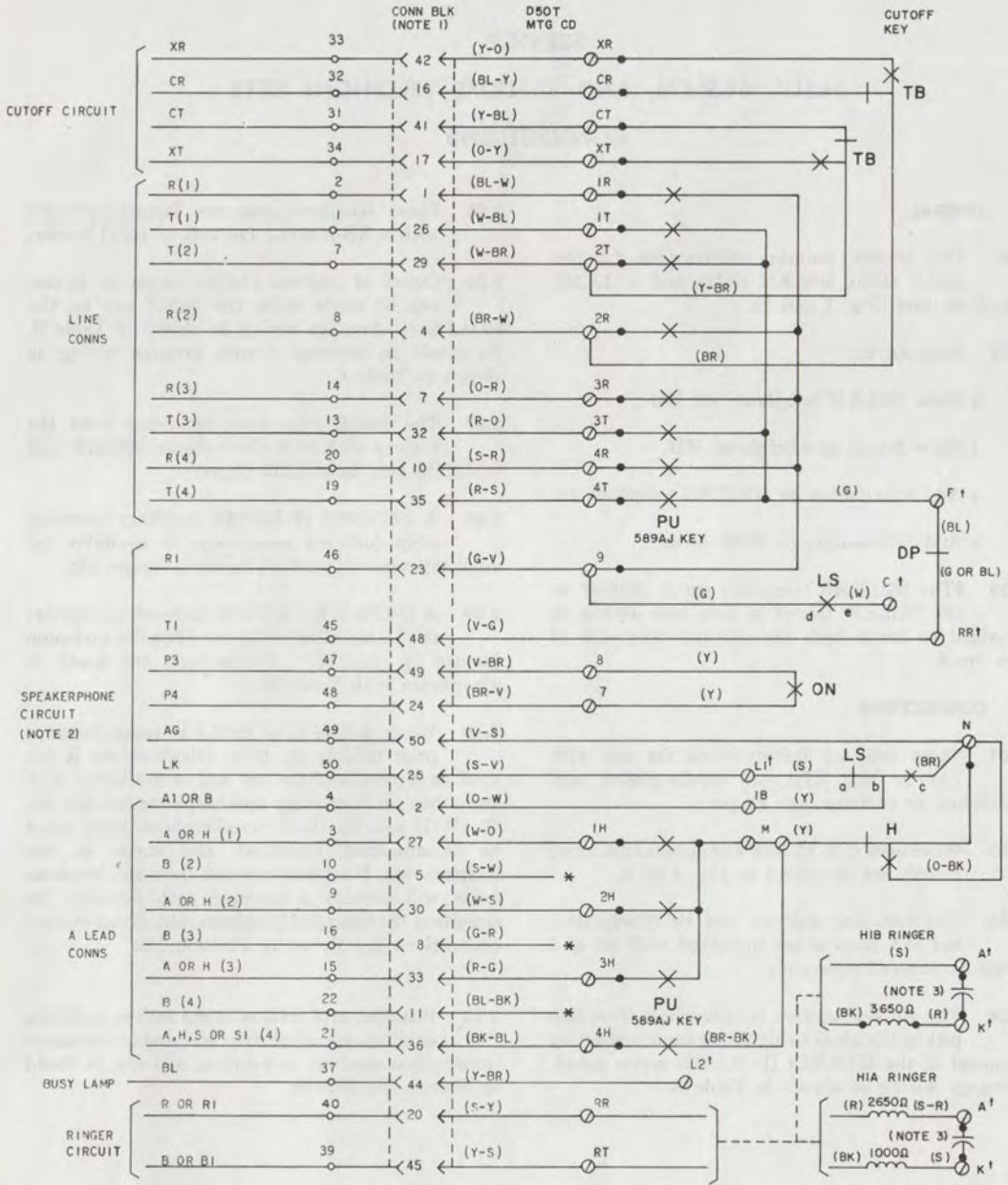


Fig. 1—565LK (MD) or 565LKM [(MD) Manufactured Prior to July 20, 1979] Telephone Set, Connections (Sheet 1 of 2)

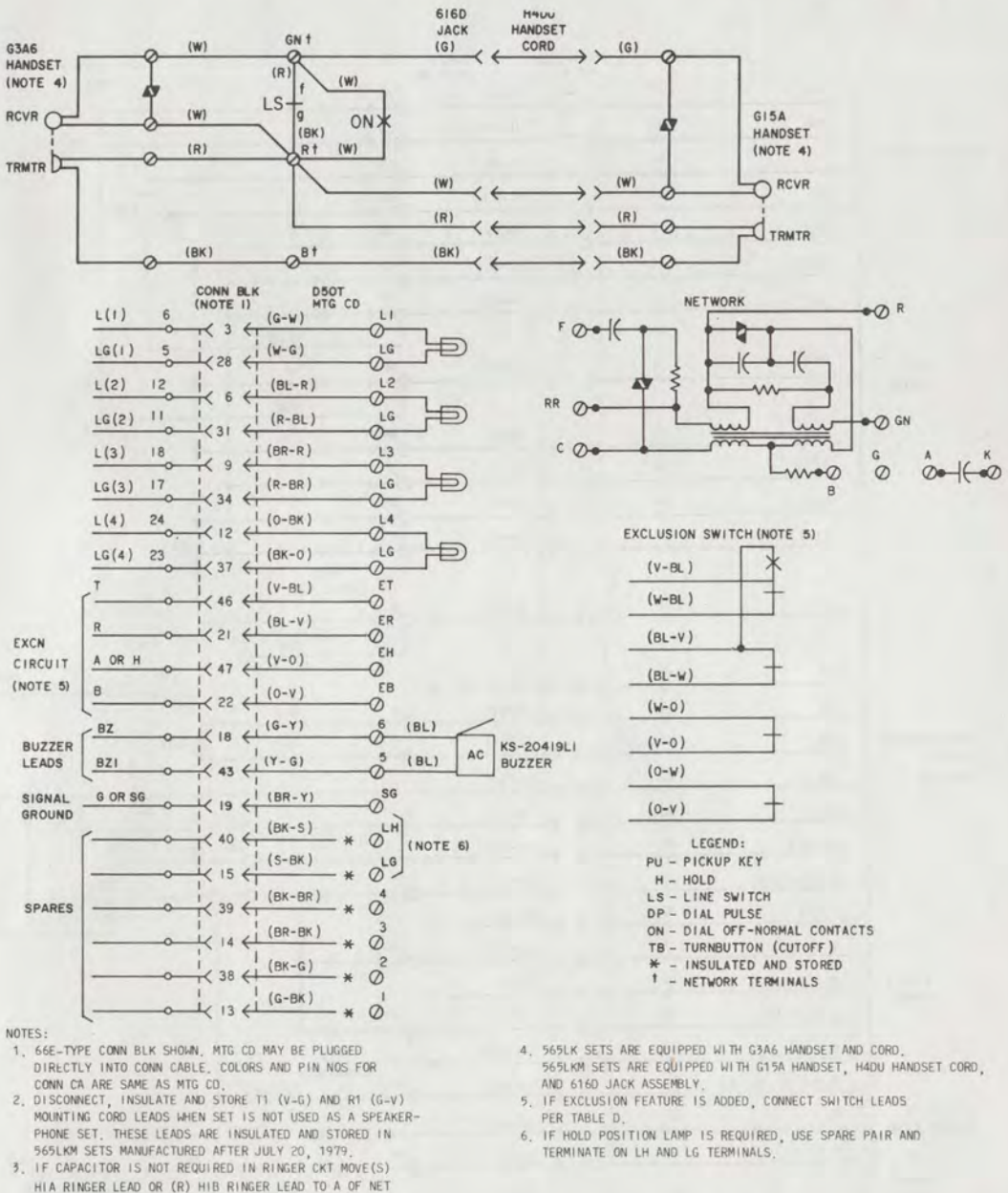


Fig. 1—565LK (MD) or 565LKM [(MD) Manufactured Prior to July 20, 1979] Telephone Set, Connections (Sheet 2 of 2)†

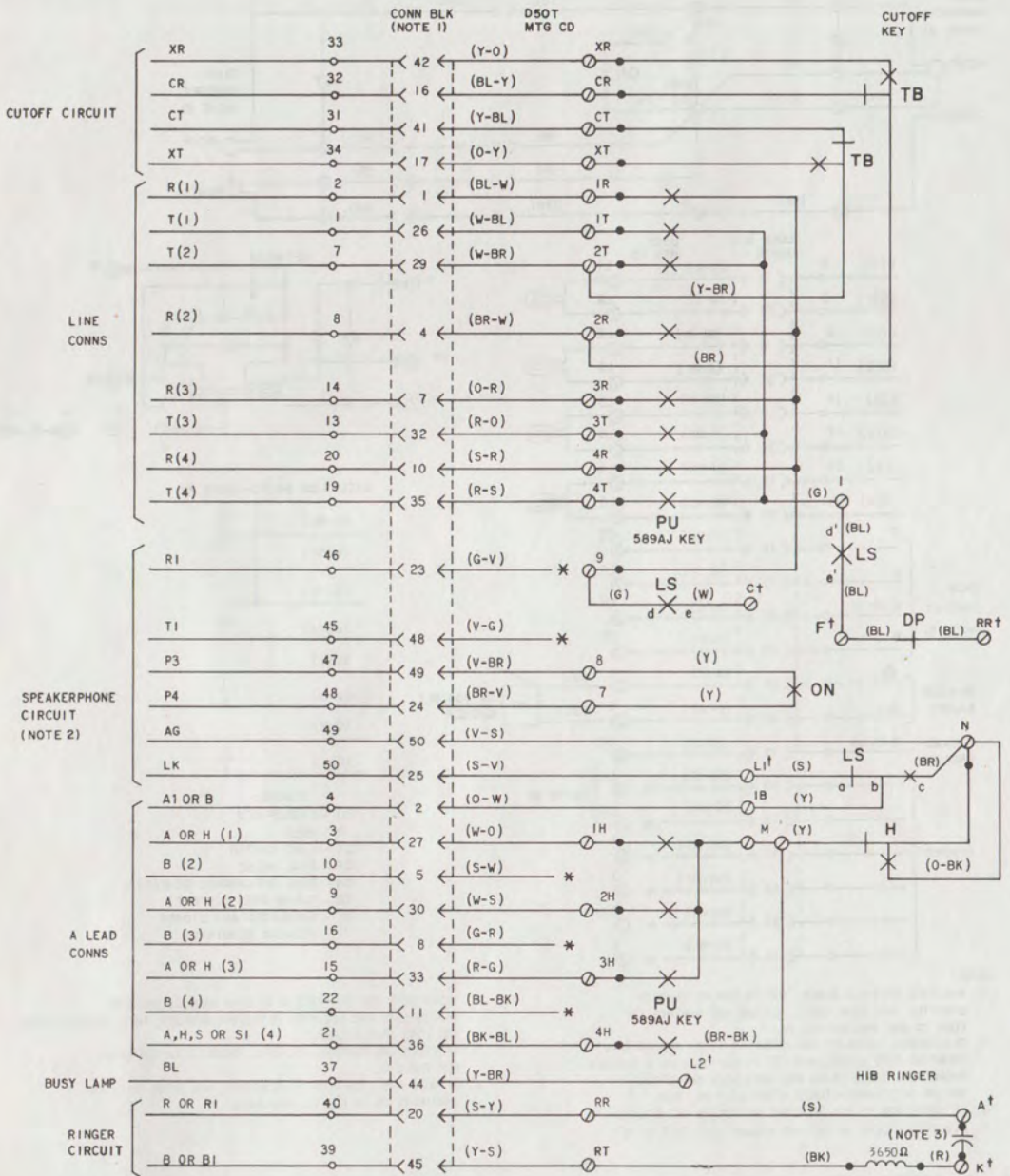


Fig. 2—565LKMS Telephone Set, Connections (Sheet 1 of 2)

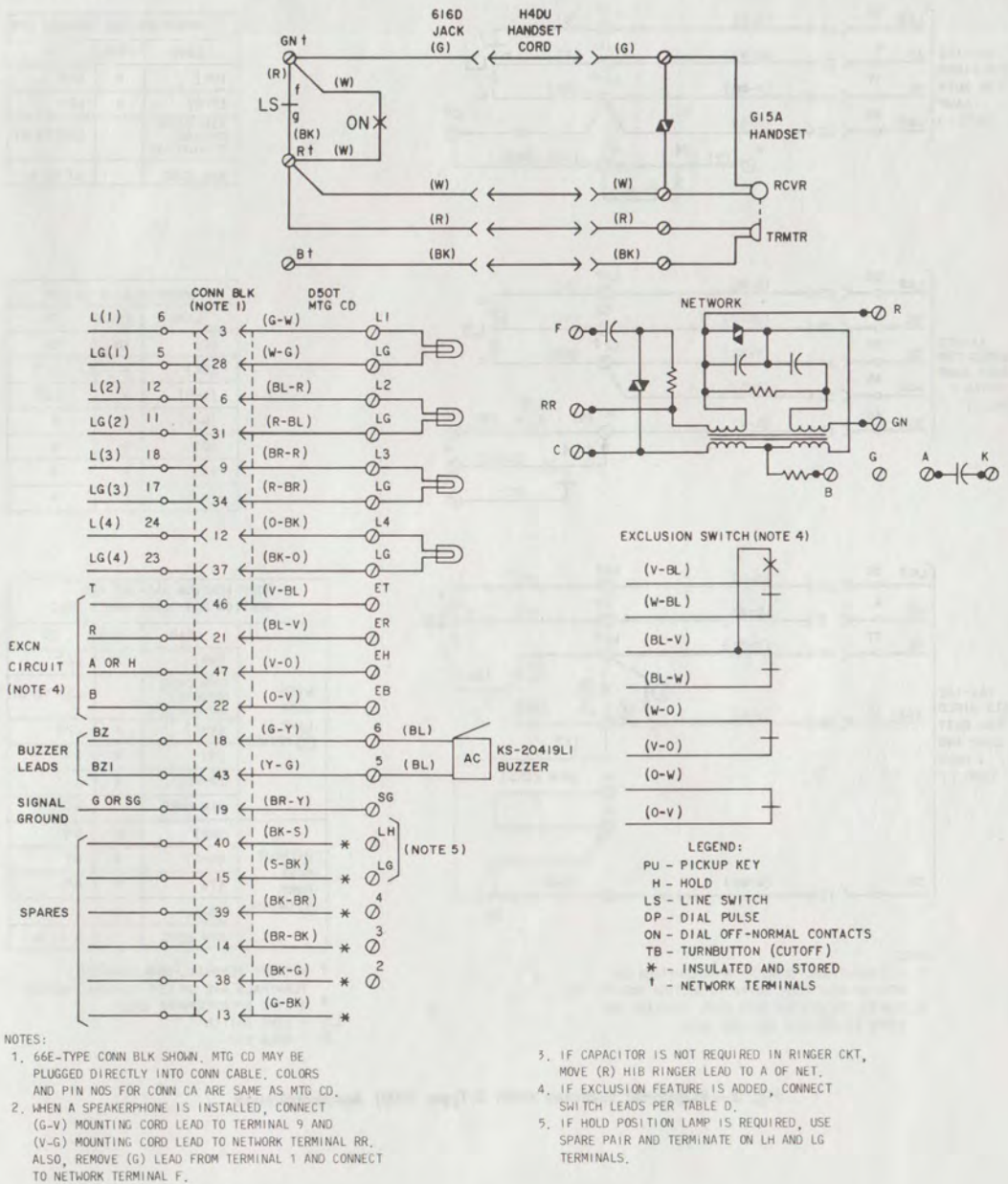
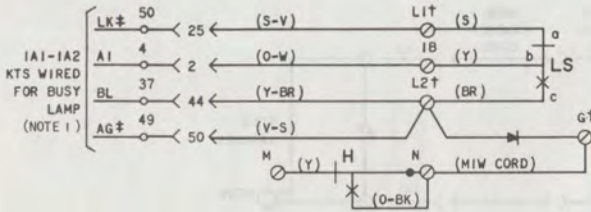
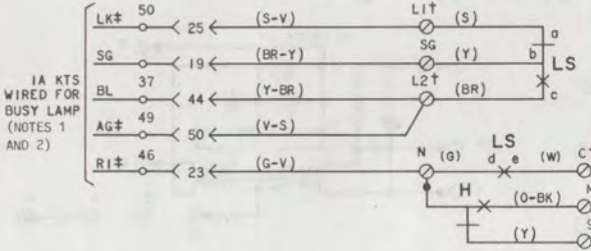


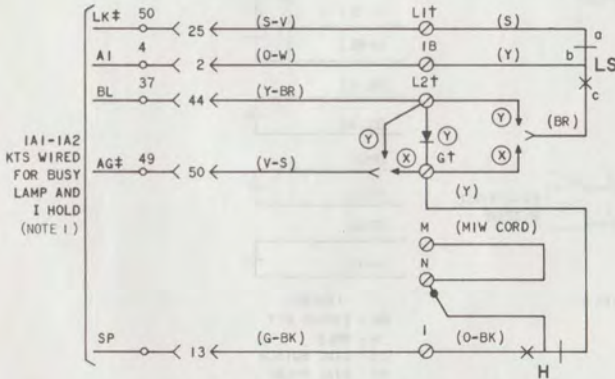
Fig. 2—565LKMS Telephone Set, Connections (Sheet 2 of 2)



MODIFICATION IA1-IA2 KTS			
LEAD	FROM	TO	
(BR)	N	L2†	
(V-S)	N	L2†	
533K DIODE (ORDERED SEPARATELY)		L2† TO G†	
MIW CORD		G† TO N	



MODIFICATION IA KTS			
LEAD	FROM	TO	
(Y)	IB	SG	
(BR)	N	L2†	
(V-S)	N	L2†	
(G-V)	9	N	
(G)	9	N	
(Y)	M	9	
(O-BK)	N	M	



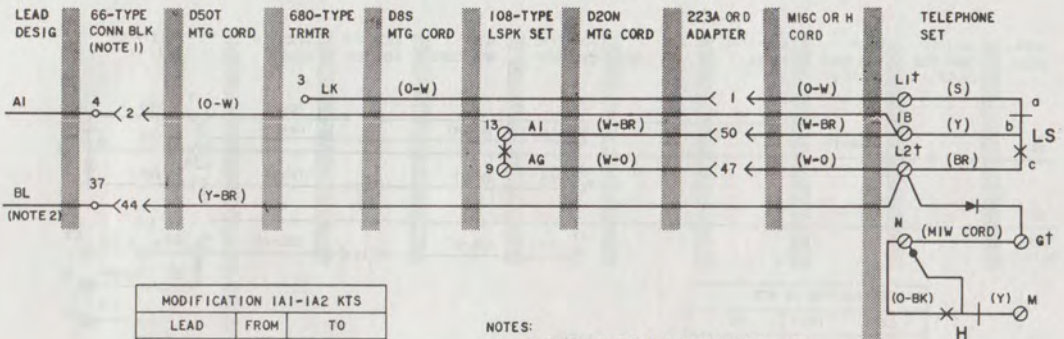
MODIFICATION IA1-IA2 KTS STATION BUSY LAMP AND I HOLD			
	LEAD	FROM	TO
WITH BUSY LAMP Ⓚ OPTION	(BR)	N	L2†
	533K DIODE (ORDERED SEPARATELY)		L2† TO G†
	(V-S)	N	L2†
	(Y)	M	G†
	(O-BK)	N	I
	MIW CORD		N TO M
WITHOUT BUSY LAMP Ⓧ OPTION	(BR)	N	G†
	(V-S)	N	G†
	(Y)	M	G†
	(O-BK)	N	I
	MIW CORD		N TO M

NOTES:

1. FOR ADDITIONAL CONNECTION INFORMATION ON STATION BUSY LAMP, REFER TO SECTION 502-110-100.
2. FOR IA KTS WITHOUT BUSY LAMP, INSULATE AND STORE (Y-BR) D50T MTG CORD LEAD.

- † NETWORK TERMINAL-UNDESIGNATED TERMINALS ARE ON KEY TERMINAL BOARD
- ‡ 3-TYPE SPEAKERPHONE LEAD
- LS - LINE SWITCH
- H - HOLD KEY

Fig. 3—Optional Features with 3-Type (MD) Speakerphone

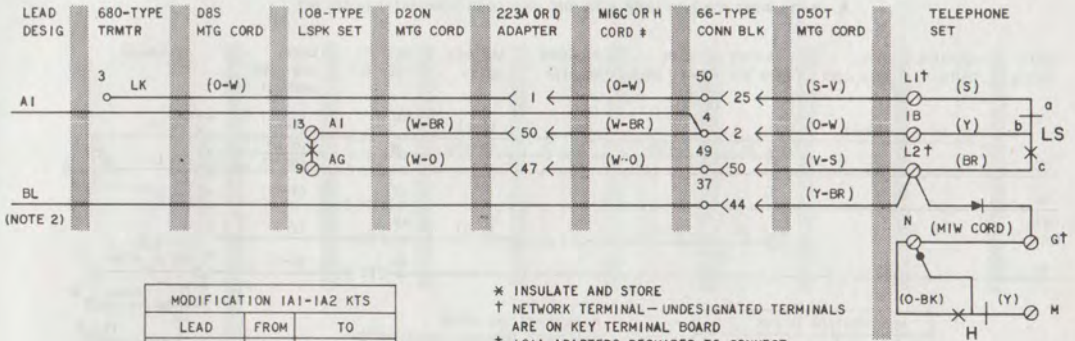


MODIFICATION 1A1-1A2 KTS		
LEAD	FROM	TO
(BR)	N	L2†
(W-0)	N	L2†
533K DIODE (ORDERED SEPARATELY)		L2† TO G†
MIW CORD		N TO G†
(S-V)	L1†	*
(0-W)	IB	*

NOTES:

- 66-TYPE CONNECTING BLOCK MTG CORD MAY BE PLUGGED DIRECTLY INTO CONNECTOR CABLE. COLORS AND PIN NUMBERS FOR CONNECTOR CABLE ARE SAME AS MTG CORD.
- FOR ADDITIONAL CONNECTION INFORMATION ON STATION BUSY LAMP, REFER TO SECTION 902-110-100.

A. 1A1-1A2 KTS WIRED FOR BUSY LAMP WITH M16C OR H CORD TERMINATED IN TEL SET

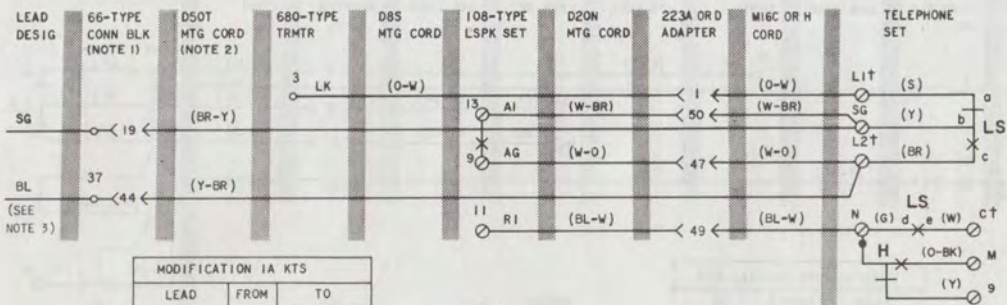


MODIFICATION 1A1-1A2 KTS		
LEAD	FROM	TO
(BR)	N	L2†
(V-S)	N	L2†
533K DIODE (ORDERED SEPARATELY)		L2† TO G†
MIW CORD		N TO G†

- * INSULATE AND STORE
- † NETWORK TERMINAL—UNDESIGNATED TERMINALS ARE ON KEY TERMINAL BOARD
- ‡ 161A ADAPTERS REQUIRED TO CONNECT M16C OR H CORD AT 66-TYPE CONN BLK
- LS — LINE SWITCH
- H — HOLD KEY

B. 1A1-1A2 KTS WIRED FOR BUSY LAMP WITH M16C OR H CORD TERMINATED AT 66-TYPE CONN BLK

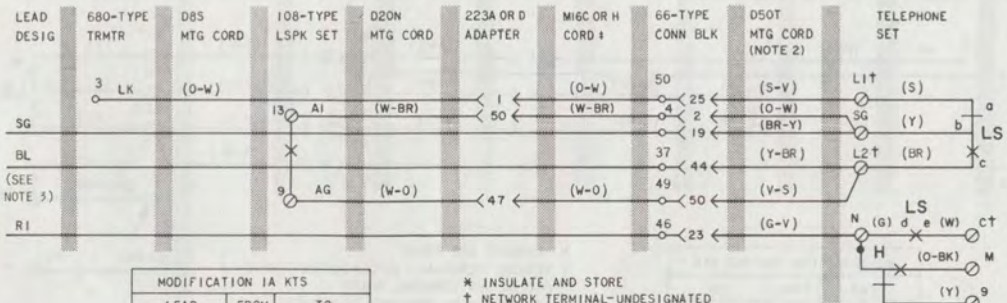
Fig. 4—Optional Features with 4A Speakerphone (Sheet 1 of 3)†



MODIFICATION 1A KTS		
LEAD	FROM	TO
(Y)	1B	SG
(BR)	N	L2†
(W-0)	N	L2†
(BL-W)	9	N
(G)	9	N
(Y)	M	9
(O-BK)	N	M
(S-V)	L1†	*
(V-S)	N	*
(G-V)	9	*
(W-BR)	1B	SG

- NOTES:
- 66-TYPE CONNECTING BLOCK SHOWN. MTG CORD MAY BE PLUGGED DIRECTLY INTO CONNECTOR CABLE. COLORS AND PIN NUMBERS FOR CONNECTOR CABLE ARE SAME AS MTG CORD.
 - FOR 1A KTS WITHOUT BUSY LAMP, INSULATE AND STORE (Y-BR) D50T MTG CORD LEAD.
 - FOR ADDITIONAL CONNECTION INFORMATION ON STATION BUSY LAMP, REFER TO SECTION 502-110-100.

A. 1A KTS WIRED FOR BUSY LAMP WITH MI6C OR H CORD TERMINATED IN TEL SET

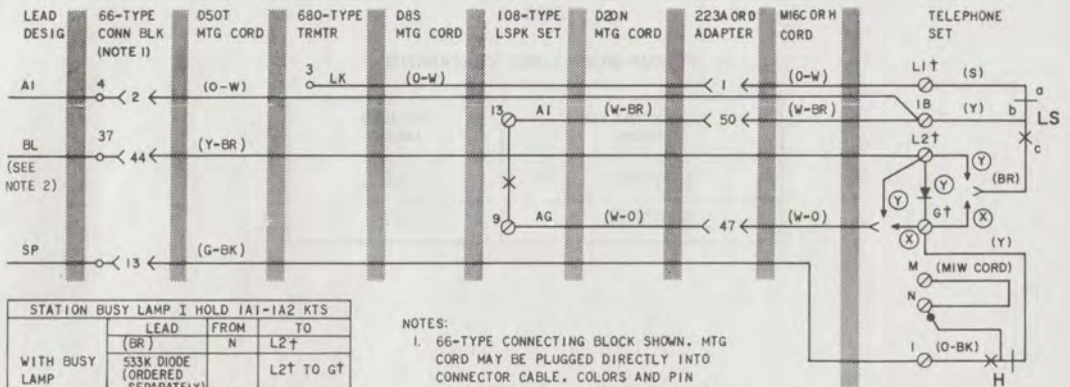


MODIFICATION 1A KTS		
LEAD	FROM	TO
(Y)	1B	SG
(BR)	N	L2†
(V-S)	N	L2†
(G-V)	9	N
(G)	9	N
(Y)	M	9
(O-BK)	N	M
(O-W)	1B	SG

- * INSULATE AND STORE
 - † NETWORK TERMINAL-UNDESIGNATED TERMINALS ARE ON KEY TERMINAL BOARD
 - ‡ 161A ADAPTERS REQUIRED TO CONNECT MI6C OR H CORD AT CONN BLK
- LS - LINE SWITCH
H - HOLD KEY

B. 1A KTS WIRED FOR BUSY LAMP WITH MI6C OR H CORD TERMINATED AT 66-TYPE CONN BLK

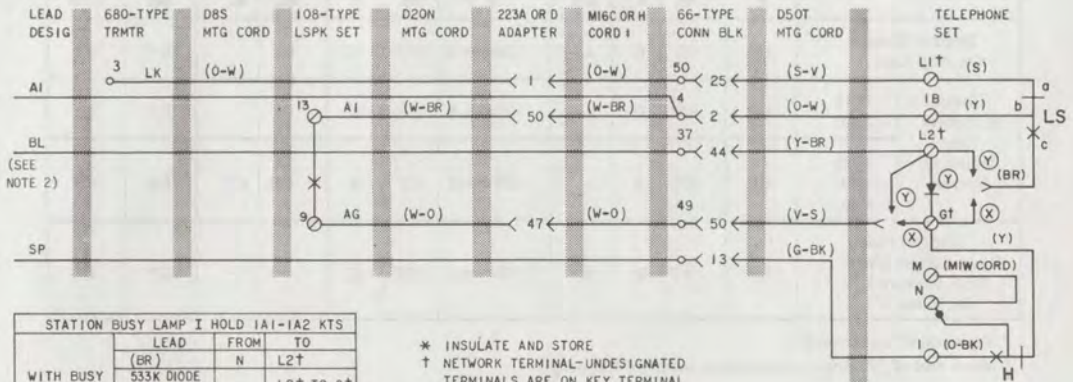
Fig. 4—Optional Features with 4A Speakerphone (Sheet 2 of 3)



STATION BUSY LAMP I HOLD IA1-IA2 KTS			
	LEAD	FROM	TO
WITH BUSY LAMP Ⓚ OPTION	(BR)	N	L2†
	533K DIODE (ORDERED SEPARATELY)		L2† TO G†
	(W-0)	N	L2†
	(Y)	M	G†
	(O-BK)	N	I
WITHOUT BUSY LAMP Ⓧ OPTION	MIW CORD		N TO M
	(BR)	N	G†
	(W-0)	N	G†
	(Y)	M	G†
	(O-BK)	N	I
WITH OR WITHOUT BUSY LAMP	(S-V)		LI† *
	(V-S)	N	*

- NOTES:
- 66-TYPE CONNECTING BLOCK SHOWN. MTG CORD MAY BE PLUGGED DIRECTLY INTO CONNECTOR CABLE. COLORS AND PIN NUMBERS FOR CONNECTOR CABLE ARE SAME AS MTG CORD.
 - FOR ADDITIONAL CONNECTION INFORMATION ON STATION BUSY LAMP, REFER TO SECTION 502-110-100.

A. IA1-IA2 KTS WIRED FOR BUSY LAMP WITH M16C OR H CORD TERMINATED IN TEL SET



STATION BUSY LAMP I HOLD IA1-IA2 KTS			
	LEAD	FROM	TO
WITH BUSY LAMP Ⓚ OPTION	(BR)	N	L2†
	533K DIODE (ORDERED SEPARATELY)		L2† TO G†
	(V-S)	N	L2†
	(Y)	M	G†
	(O-BK)	N	I
WITHOUT BUSY LAMP Ⓧ OPTION	MIW CORD		N TO M
	(BR)	N	G†
	(V-S)	N	G†
	(Y)	M	G†
	(O-BK)	N	I
WITH OR WITHOUT BUSY LAMP	(S-V)		LI† *
	(V-S)	N	*

- * INSULATE AND STORE
 † NETWORK TERMINAL-UNDESIGNATED TERMINALS ARE ON KEY TERMINAL BOARD
 ‡ 161A ADAPTERS REQUIRED TO CONNECT M16C OR H CORD AT 66-TYPE CONN BLK

LS - LINE SWITCH
 H - HOLD KEY

B. IA1-IA2 KTS WIRED FOR BUSY LAMP WITH M16C OR H CORD TERMINATED AT 66-TYPE CONN BLK

Fig. 4—Optional Features with 4A Speakerphone (Sheet 3 of 3)

TABLE A
PICKUP-SIGNAL KEY CONVERSION

CONVERTIBLE KEY OPTIONS	KEY LEAD (BR-BK)
HPPPPC	M
HPPPSC	SG

TABLE B
INTERNAL RINGER OR BUZZER CUTOFF

CUTOFF		H1A RINGER LEADS				H1B RINGER LEADS			BUZZER LEADS		CUTOFF-KEY LEADS	
		R	BK	S	S-R	S †	BK	R	BL	BL	BR	Y-BR
Bridged Ringer On Any Line		CR	CT	K	A	CR ↔ A	CT	K			R*	T*
Common or Private Line Ringer or Buzzer	With Cap.	CR	CT	K	A	CR ↔ A	CR	K			RR	RT
	With- out Cap.	CR	CT	A	A	CR ↔ A	CT	A	CR	CT	RR	RT
Bridged Line Ringer When Used With Feature 1 On Table C		XR	XT	K	A	XR ↔ A	XT	K			R*	T*

* Terminal of line involved.

† Move end of (S) strap connected to terminal RR only.

TABLE C
EXTERNAL CIRCUITS CUTOFF

CUTOFF	CUTOFF-KEY LEADS	
	BR	Y-BR
Ring and Tip of Any Line	R*	T*
Head Receiver, Used as Listening-In Set	R†	GN†
Controlled 1A1, 1A2 Key Tel Sys Sta	CT	XT

* Terminal of line involved.

† Terminal on network.

TABLE D
EXCLUSION SWITCH CONNECTIONS

EXCLUSION	KEY TEL SYS	EXCLUSION SWITCH LEADS							
		BL-W	W-BL	O-W	W-O	BL-V	V-BL	O-V	V-O
On any line	1A	R*	T*	1B†	H*	ER	ET	EB	EH
	1A1 or 1A2	R*	T*	EB	H*	ER	ET	EB	EH

*Terminal of line to be excluded

† When other than line 1 is excluded on 1A KTS, disconnect, insulate, and store O-W mounting cord conductor from terminal 1B; connect balance lead conductor from line involved to 1B.