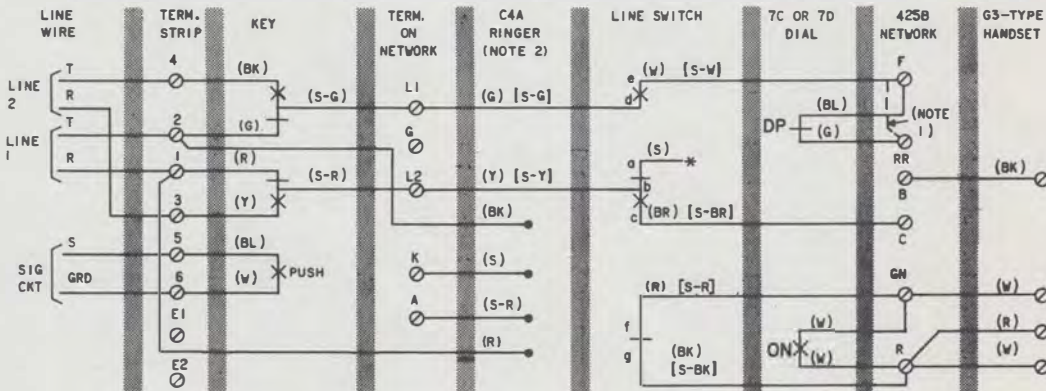


SERVICE
558A/B TELEPHONE SETS

1. GENERAL

1.01 Reissued to add nontechnical changes to Fig. 1.



NOTES:

1. DASHED LINE INDICATES MANUAL SET CONNECTIONS.
2. CONNECTIONS SHOWN ARE FOR RINGING ON LINE 1. TO RING ON LINE 2, MOVE (R) AND (BK) RINGER LEADS TO TERMINAL 3 AND 4. TO SILENCE RINGER, CONNECT (BK) RINGER LEAD TO K TERMINAL.
3. A 7-TYPE BUZZER ON A 44B BRACKET MAY BE SUBSTITUTED FOR THE RINGER AS A COMMON OR PRIVATE LINE AUDIBLE SIGNAL.

- () CURRENT COLOR CODE
MD COLOR CODE
* INSULATED AND STORED
DP - DIAL PULSE
ON-OFF NORMAL
LINE SWITCH SEQUENCE:
bc - MAKE
de - MAKE
ab - BREAK
fg - BREAK

Fig. 1—558A/B Telephone Set Connections, 2-Line Pickup and Signaling