

SERVICE

515B AND 515BM TELEPHONE SETS

1. GENERAL

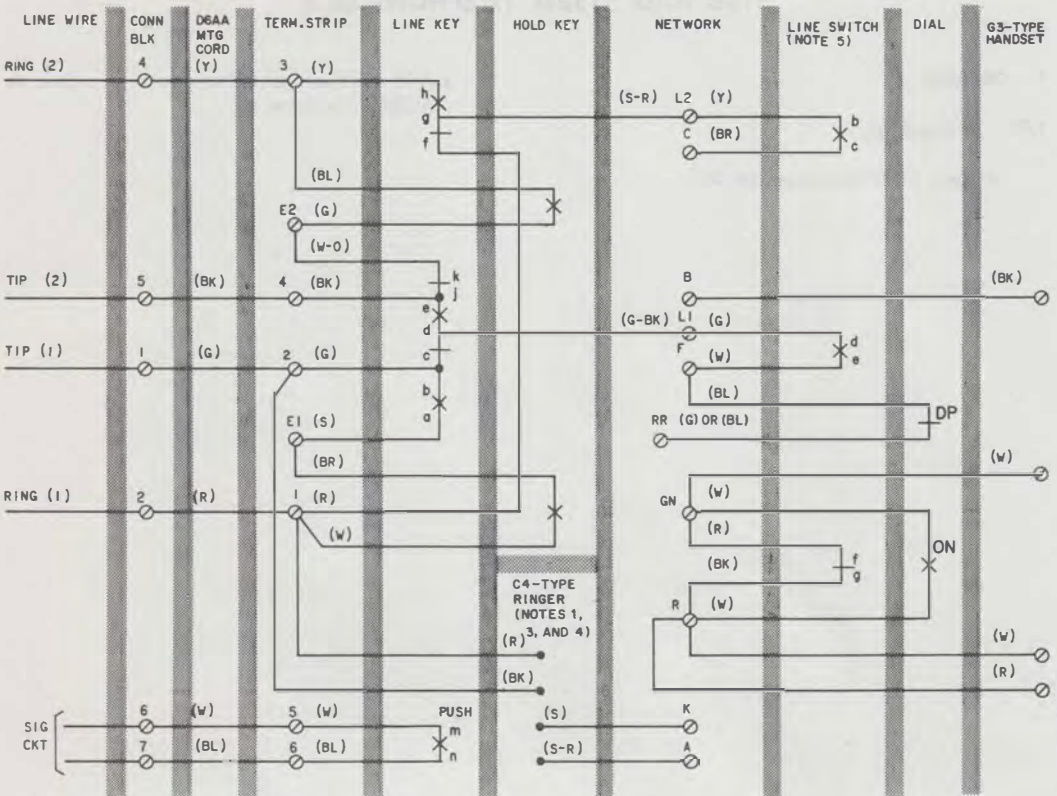
- Add modular mounting cord and jack to 515BM telephone set

1.01 Reissued to:

- Show 515B telephone set MD

NOTICE

Not for use or disclosure outside the
Bell System except under written agreement

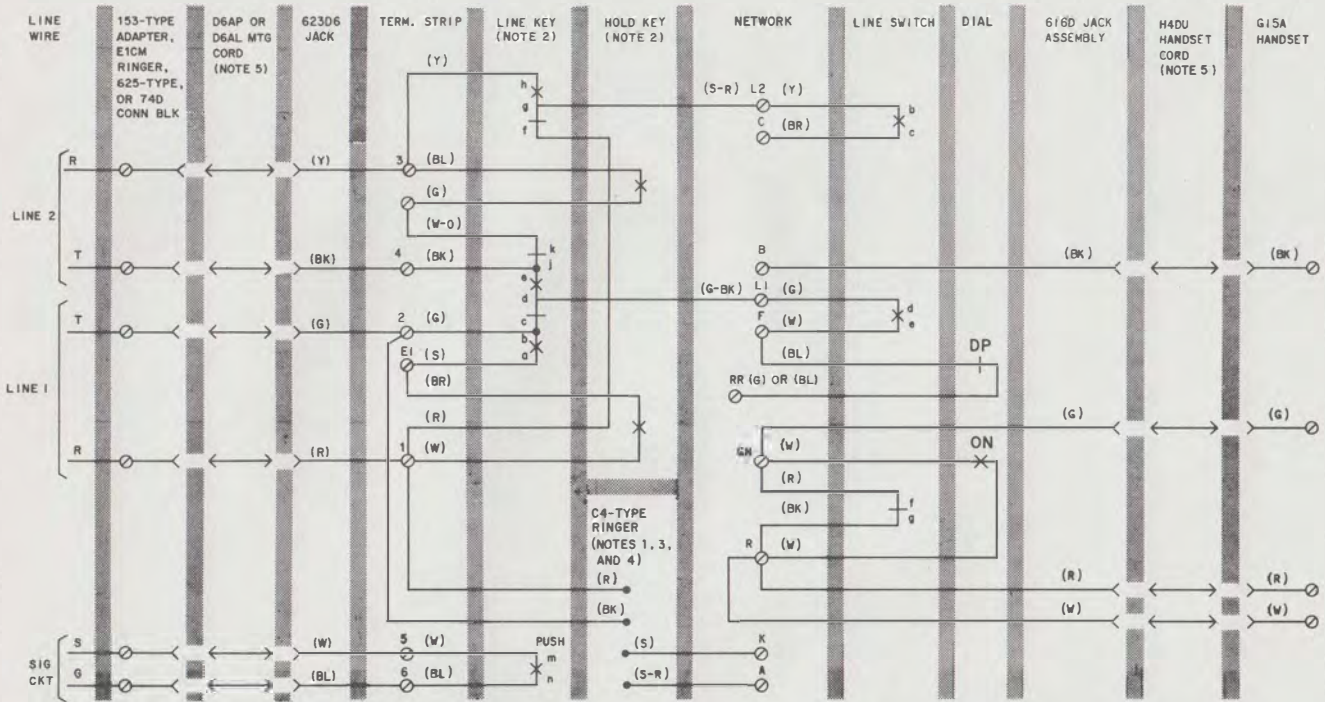


NOTES:

1. RINGER CONNECTIONS PROVIDE FOR RINGING ON LINE 1. FOR RINGING ON LINE 2, CONNECT (R) AND (BK) RINGER LEADS TO TERMINALS 3 AND 4 RESPECTIVELY.
2. SUBSCRIBER INSTRUCTION BOOKLET SIB-2430 SHIPPED LOOSE WITH SET SHOULD BE EXPLAINED AND LEFT WITH CUSTOMER FOR PROPER OPERATION OF LINE AND HOLD KEY.

3. SETS ARE FACTORY WIRED TO PROVIDE BRIDGED RINGING SERVICE.
4. TO SILENCE RINGER FOR ALL CLASSES OF SERVICE REFER TO APPROPRIATE SECTION IN DIVISION 501.
5. LINE SWITCH SEQUENCE, HANDSET REMOVED:
bc-MAKES de-MAKES fg-BREAKS
DP- DIAL PULSE CONTACTS ON- DIAL OFF-NORMAL CONTACTS

Fig. 1—515B (MD) Telephone Set, Connections



NOTES:

1. RINGER CONNECTIONS PROVIDE FOR RINGING ON LINE 1. FOR RINGING ON LINE 2, CONNECT (R) AND (BK) RINGER LEADS TO TERMINALS 3 AND 4 RESPECTIVELY.
2. SUBSCRIBER INSTRUCTION BOOKLET S18-2430 SHIPPED LOOSE WITH SET SHOULD BE EXPLAINED AND LEFT WITH CUSTOMER FOR PROPER OPERATION OF LINE AND HOLD KEY.

3. SETS ARE FACTORY WIRED TO PROVIDE BRIDGED RINGING SERVICE.
4. TO SILENCE RINGER FOR ALL CLASSES OF SERVICE REFER TO APPROPRIATE SECTION IN DIVISION 501.
5. MUST BE ORDERED SEPARATELY.

DP - DIAL PULSE CONTACTS
ON-OFF-NORMAL CONTACTS

Fig. 2—515BM Telephone Set, Connections