

KEY TELEPHONE SETS

STANDARD FEATURES AND OPTIONS

BASIC WIRING REQUIREMENTS

1. GENERAL

1.001 This addendum supplements Section 502-110-100, Issue 2.

1.002 This addendum is issued to revise Fig. 10 and 11 to show requirements when busy lamp is provided.

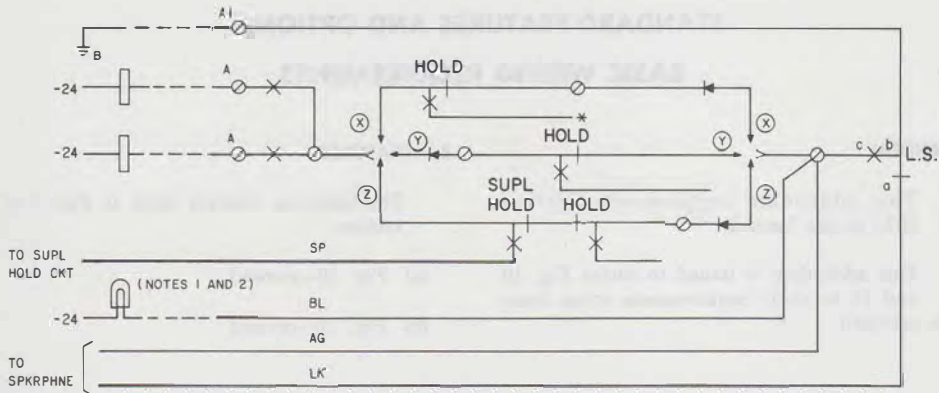
2. FEATURES

The following changes apply to Part 2 of this section.

(a) Fig. 10—revised

(b) Fig. 11—revised

KEY TELEPHONE SET



NOTES:

1. BL LEAD MAY BE WIRED DIRECTLY TO LAMP OR TO LAMP CONTROL RELAY (SD-69580-01)
2. WHEN A LAMP INDICATOR IS USED FOR BUSY LAMP, EITHER A 51A (10V) OR 52A (24V) LAMP MAY BE USED. IF THE LAMPS OF A KEY OR LAMP SOCKET INSTALLED IN A TELEPHONE SET ARE USED, ONLY 51A (10V) LAMPS SHALL BE USED TO AVOID OVERHEATING.

* CONNECT TO SP LEAD FOR "I" HOLD

(X) AND (Y) ELECTRICALLY EQUIVALENT DIFFER ONLY IN ORDER DIODE AND HOLD KEY ARE WIRED. (X) WIRING MUST BE USED IF FURNISHING "I" HOLD. USE KS-15724, LI DIODE

(Z) SUPPLEMENTARY HOLD (599H KEY)

A. 1A1 OR 1A2 KTS



B- 1A KTS

Fig. 10—Station Busy Lamp With Speakerphone

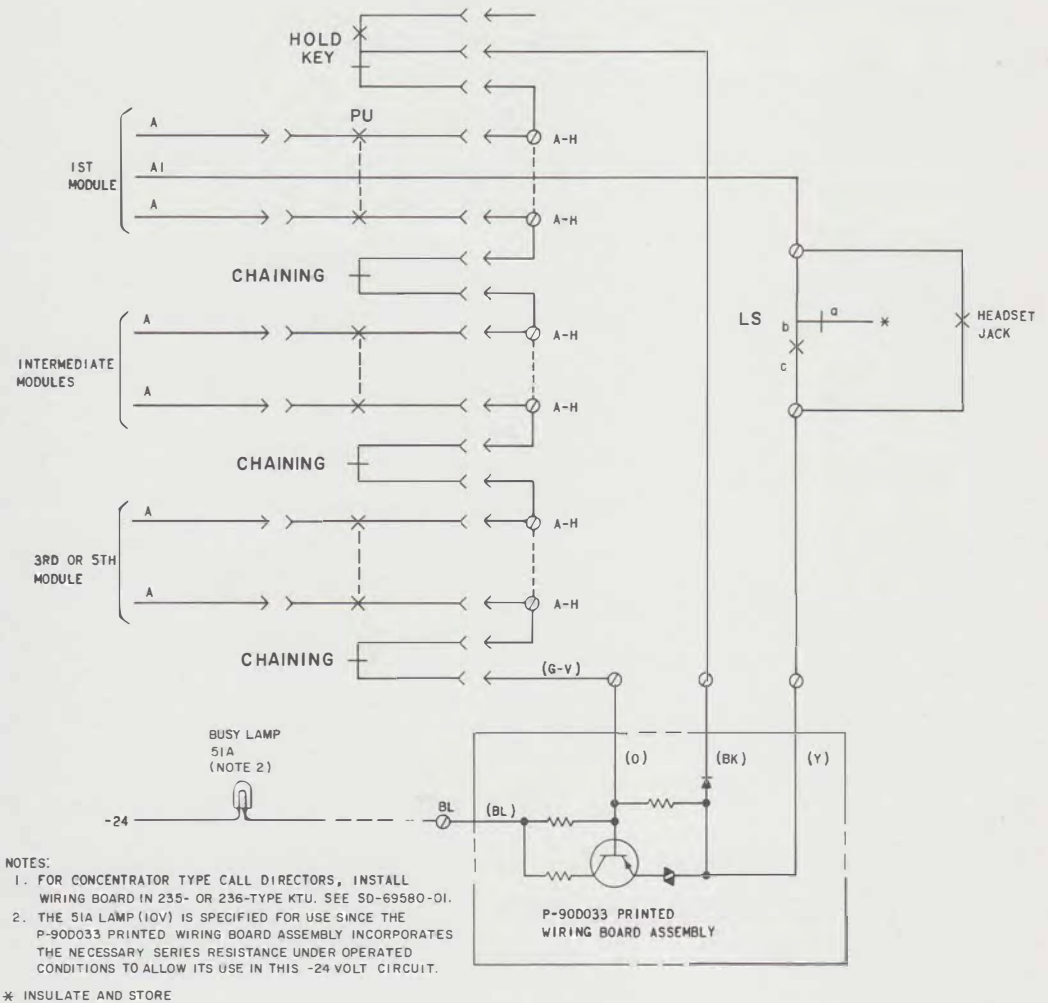


Fig. 11—Station Busy Lamp Circuit for Headset Equipped CALL DIRECTOR Sets